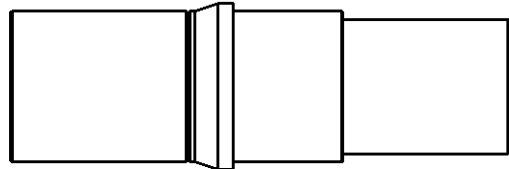
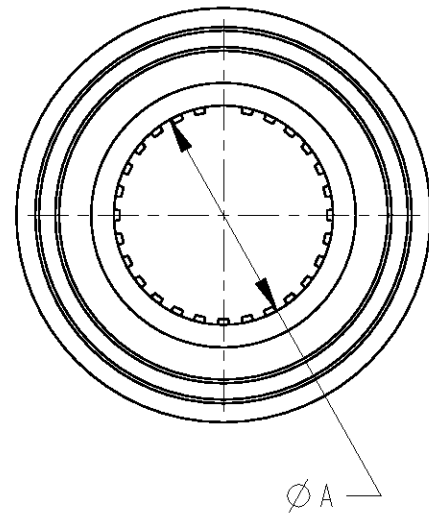
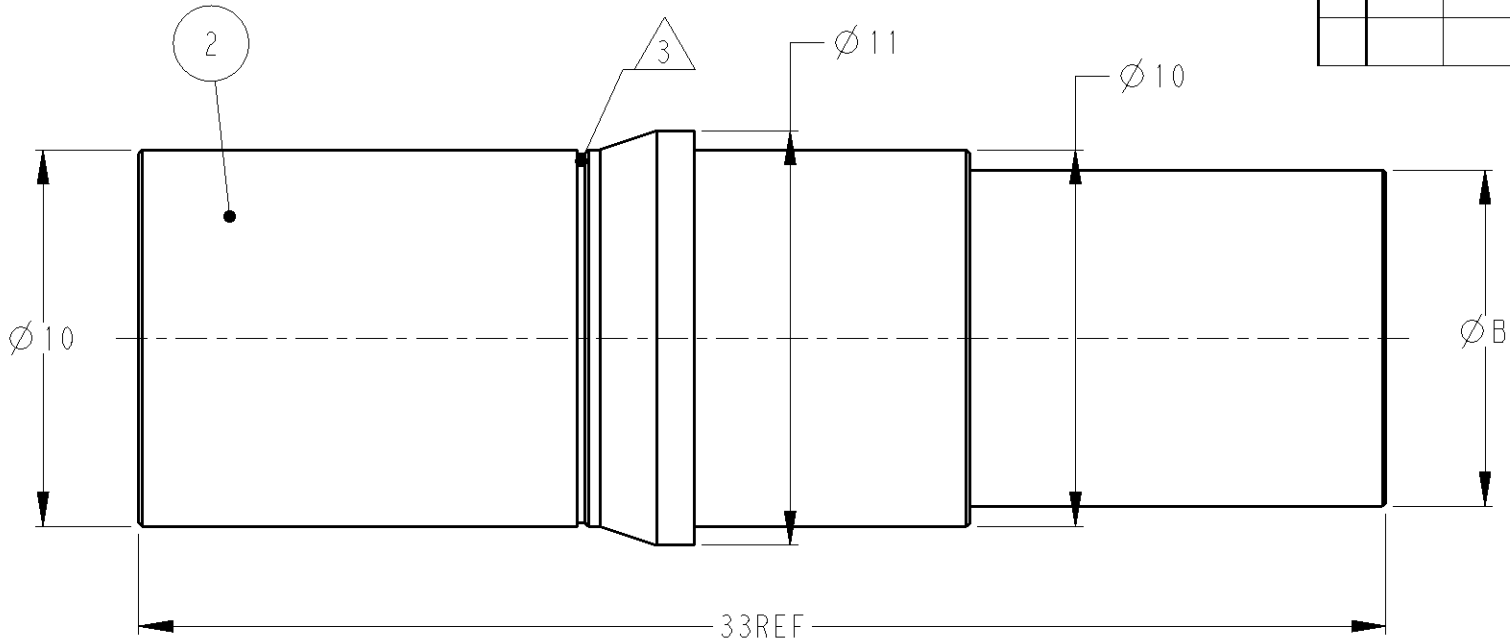
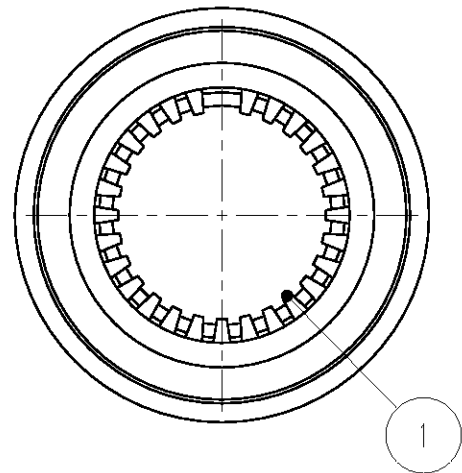


THIS DRAWING IS UNPUBLISHED. RELEASED FOR PUBLICATION 20

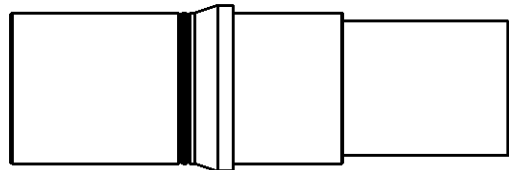
© COPYRIGHT 20 BY TYCO ELECTRONICS CORPORATION. ALL RIGHTS RESERVED.

LOC	DIST	REVISIONS					
J	-	P	LTR	DESCRIPTION	DATE	DWN	APVD
		A		RELEASED	31JUL2010	M.M	N.Y
		B		REVISED	31AUG2010	M.M	N.Y

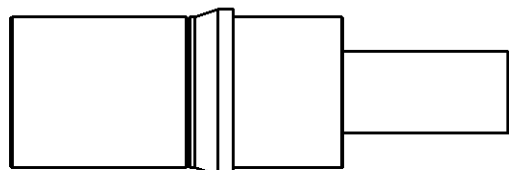
AS SHOWN : 1871132-1



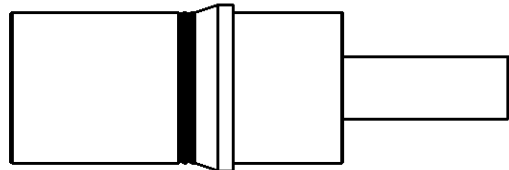
SCALE 2:1
1871132-1



1871132-2



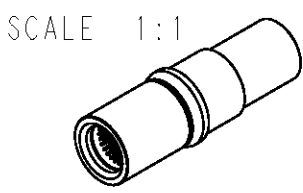
1871132-3



1871132-4

- ① MATERIAL :
BODY CONTACT : COPPER
CROWN CONTACT : COPPER ALLOY
- ② FINISH :
BODY CONTACT :
SILVER PLATED ALL OVER 2.54μmMIN
AFTER NICKEL PLATED ALL OVER 1.3μmMIN
CROWN CONTACT :
GOLD PLATED ON CONTACT AREA 0.76μmMIN
AFTER NICKEL PLATED ALL OVER 1.3μmMIN
- ③ ID MARK FOR WIRE SIZE.
- 4 .APPLICATED CRIMP HAND TOOL
1871132-1 : 59975-1 (SET NO 6)
1871132-2 : 59975-1 (SET NO 6)
1871132-3 : 409777-1 (SET NO 5.5)
1871132-4 : 409777-1 (SET NO 5.5)

WIRE RANGE(mm2) (AWG # REF)	ID MARK	B	A	1871132-4	1871132-3	1871132-2	1871132-1	DESCRIPTION	ITEM
1.0~2.6 (AWG #16-14)	2 LINE	4.1	2.3	1				SOCKET CONTACT #14	②
2.7~6.6 (AWG #12-10)	1 LINE	5.4	3.4		1			SOCKET CONTACT #10	②
6.7~10.5 (AWG #8)	2 LINE	8.9	4.5			1		SOCKET CONTACT # 8	②
10.6~16.7 (AWG #6)	1 LINE	8.9	5.8				1	SOCKET CONTACT # 6	②
				1	1	1	1	CROWN CONTACT	①



THIS DRAWING IS A CONTROLLED DOCUMENT FOR TYCO ELECTRONICS CORPORATION
IT IS SUBJECT TO CHANGE AND THE CONTROLLING ENGINEERING ORGANIZATION
SHOULD BE CONTACTED FOR THE LATEST REVISION.

DWN M. MAEBASHI 31JUL2010	Tyco Electronics Corporation Kawasaki, Japan				
CHK N. YAMASAKI 31JUL2010					
APVD N. YAMASAKI 31JUL2010					
NAME DYNAMIC D7000 SERIES SOCKET CONTACT ASSY					
PRODUCT SPEC 108-78470	SIZE A3	CAGE CODE 00779	DRAWING NO C=1871132	RESTRICTED TO -	
APPLICATION SPEC 114-5452	CUSTOMER DRAWING		SCALE 5:1	SHEET 1 OF 1	REV B

X-ON Electronics

Largest Supplier of Electrical and Electronic Components

Click to view similar products for [Headers & Wire Housings](#) category:

Click to view products by [TE Connectivity](#) manufacturer:

Other Similar products are found below :

[892-18-020-10-001101](#) [58102-G61-06LF](#) [582553-1](#) [0009485154](#) [009176003701906](#) [0050291907](#) [LY20-4P-DT1-P1E-BR](#) [02.125.8002.8](#)
[609-3404](#) [61062-3](#) [61082-181009](#) [622-3653LF](#) [63453-116](#) [636-1030](#) [636-1427](#) [636-3427](#) [636-4007](#) [641938-9](#) [641991-4](#) [644827-2](#) [65817-010LF](#) [65817-015LF](#) [65863-015LF](#) [66207-023LF](#) [67095-007LF](#) [67601157](#) [68645-018](#) [68648-049](#) [70.362.1628.0](#) [70-4210](#) [70-4226B](#) [70-4853B](#) [707-5020](#) [707-5028](#) [71.350.2428.0](#) [71918-208LF](#) [71961-016LF](#) [733-134](#) [733-162](#) [754199-000](#) [760-3052](#) [787-8014-00](#) [79531-3000](#)
[FCN-360C032-B](#) [FCN-367T-T012/H](#) [FCN-723D010/2](#) [80.063.4001.1](#) [800-90-001-10-001000](#) [800-90-010-10-002000](#) [801-43-002-10-013000](#)