

4

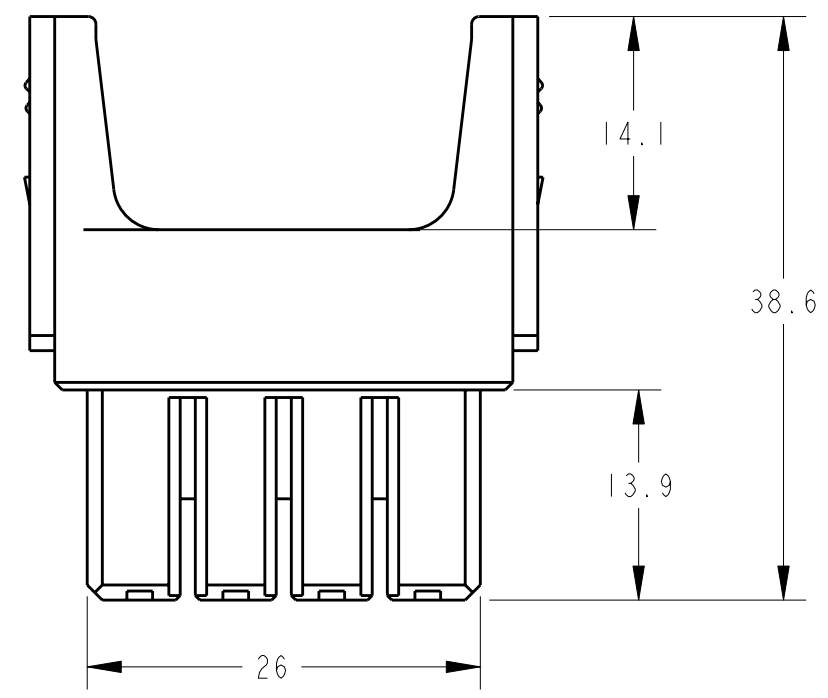
3

2

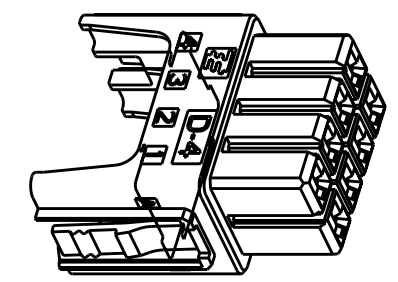
1

THIS DRAWING IS UNPUBLISHED. RELEASED FOR PUBLICATION 20
 © COPYRIGHT 20 BY TYCO ELECTRONICS CORPORATION. ALL RIGHTS RESERVED.

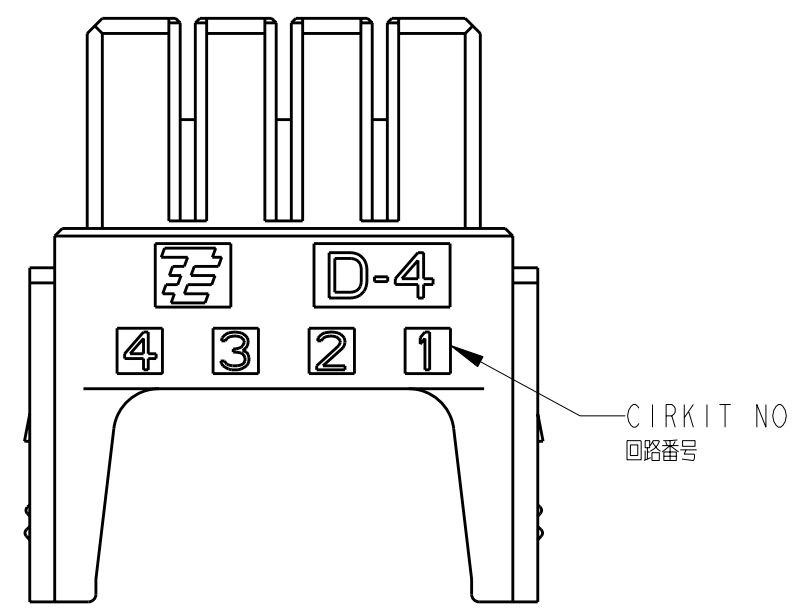
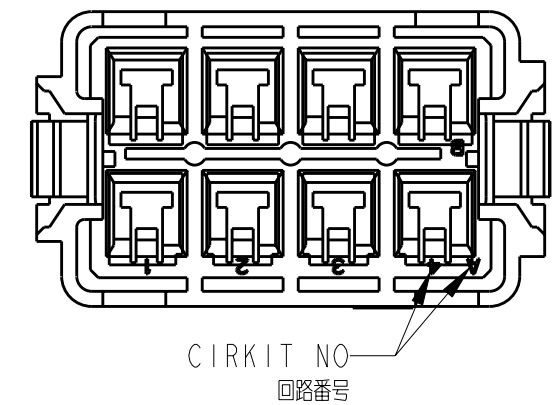
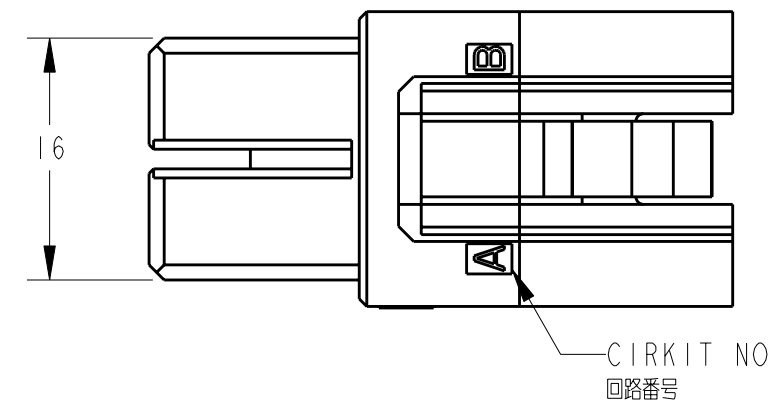
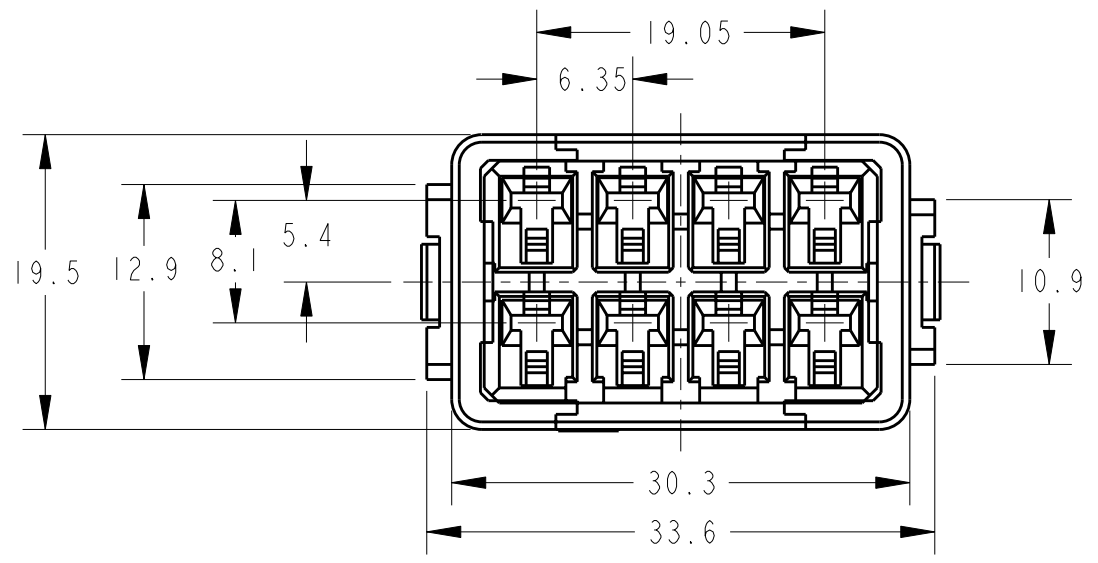
LOC	DIST	REVISIONS					
		P	LTR	DESCRIPTION	DATE	DWN	APVD
J	-		B	REVISED PER ECR-10-013235	08JUL2010	HMR	TM



1871416-1:AS SHOWN



スケール 1:1



- 注記
- 材料: ガラス入り熱可塑性ポリエステル樹脂
色: 黒色
 - モジュール固定フレーム使用型番
 サイズ"3: 0-1108784-1
 サイズ"4: 0-1108783-1, 0-1108783-2
 サイズ"6: 0-1108782-1, 0-1108782-2
 サイズ"8: 0-1108780-1, 0-1108780-2

- NOTES
- MATERIAL: GLASS FIELD THERMO PLASTIC, POLYESTER
COLOR: BLACK
 - MODULE FIXATION FRAME USE P/No
 SIZE3: 0-1108784-1
 SIZE4: 0-1108783-1, 0-1108783-2
 SIZE6: 0-1108782-1, 0-1108782-2
 SIZE8: 0-1108780-1, 0-1108780-2

THIS DRAWING IS A CONTROLLED DOCUMENT FOR TYCO ELECTRONICS CORPORATION IT IS SUBJECT TO CHANGE AND THE CONTROLLING ENGINEERING ORGANIZATION SHOULD BE CONTACTED FOR THE LATEST REVISION.		DWN T. Sakamoto 23JUN2006	Tyco Electronics AMP K.K. Kawasaki, Japan	
DIMENSIONS: 単位: 耗 mm		CHK D. Mitsugi 23JUN2006	NAME 名称	
TOLERANCES UNLESS OTHERWISE SPECIFIED: 一般公差 0 PLC ± 1 PLC ±0.35 2 PLC ± 3 PLC ±3° 4 PLC ± ANGLES ±		APVD D. Mitsugi 23JUN2006	REC HSG 8P DYNAMIC D-4800SERIES WITH HTS CONNECTOR	
MATERIAL 材料 注記参照 - SEE NOTES		PRODUCT SPEC 108-78388	SIZE A3	CAGE CODE 00779
		APPLICATION SPEC 114-5369	DRAWING NO C-1871416	RESTRICTED TO -
		FINISH 仕上 -	WEIGHT -	SCALE 尺度 2:1
		CUSTOMER DRAWING		SHEET 1 OF 1 REV B

X-ON Electronics

Largest Supplier of Electrical and Electronic Components

Click to view similar products for [Headers & Wire Housings](#) category:

Click to view products by [TE Connectivity](#) manufacturer:

Other Similar products are found below :

[892-18-020-10-001101](#) [58102-G61-06LF](#) [582553-1](#) [0009485154](#) [009176003701906](#) [0050291907](#) [LY20-4P-DT1-P1E-BR](#) [02.125.8002.8](#)
[609-3404](#) [61062-3](#) [61082-181009](#) [622-3653LF](#) [63453-116](#) [636-1030](#) [636-1427](#) [636-3427](#) [636-4007](#) [641938-9](#) [641991-4](#) [644827-2](#) [65817-](#)
[010LF](#) [65817-015LF](#) [65863-015LF](#) [66207-023LF](#) [67095-007LF](#) [67601157](#) [68645-018](#) [68648-049](#) [70.362.1628.0](#) [70-4210](#) [70-4226B](#) [70-](#)
[4853B](#) [707-5020](#) [707-5028](#) [71.350.2428.0](#) [71918-208LF](#) [71961-016LF](#) [733-134](#) [733-162](#) [754199-000](#) [760-3052](#) [787-8014-00](#) [79531-3000](#)
[FCN-360C032-B](#) [FCN-367T-T012/H](#) [FCN-723D010/2](#) [80.063.4001.1](#) [800-90-001-10-001000](#) [800-90-010-10-002000](#) [801-43-002-10-013000](#)