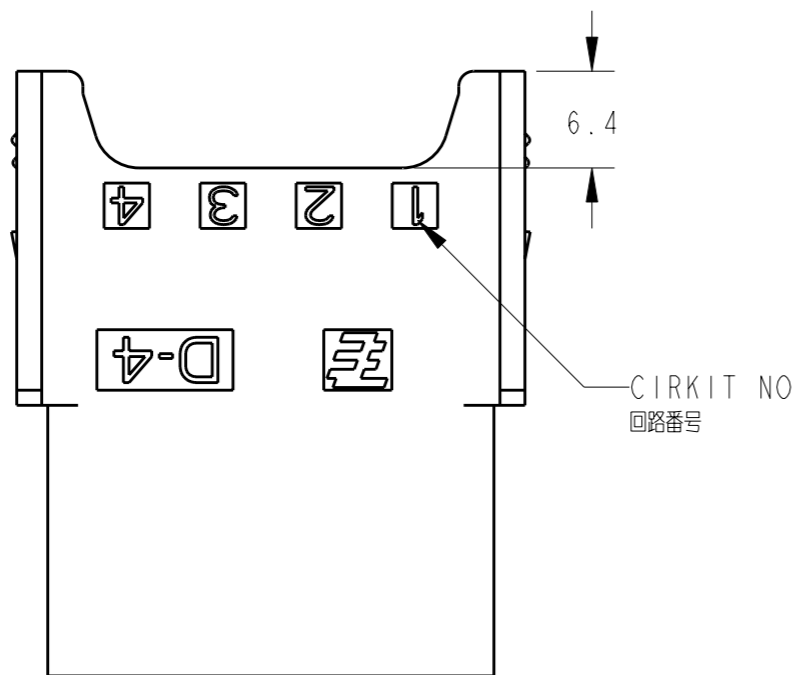
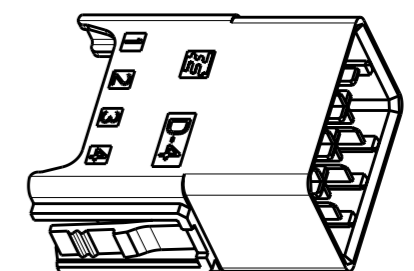


THIS DRAWING IS UNPUBLISHED. RELEASED FOR PUBLICATION 20
 © COPYRIGHT 20 BY TYCO ELECTRONICS CORPORATION. ALL RIGHTS RESERVED.

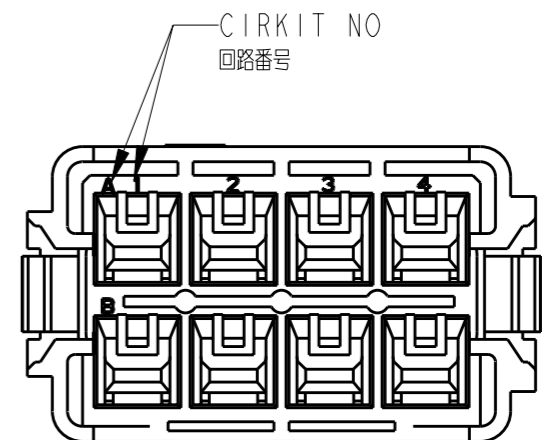
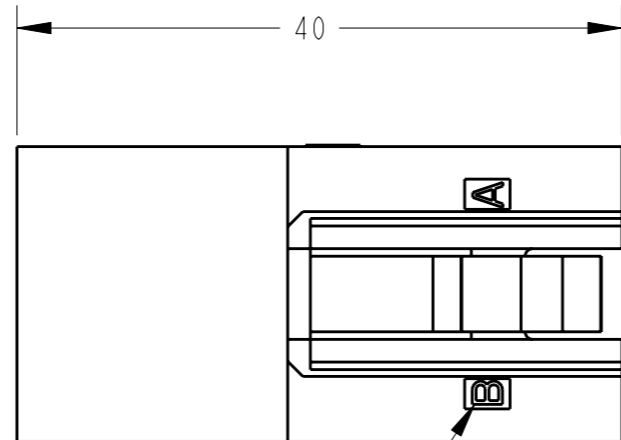
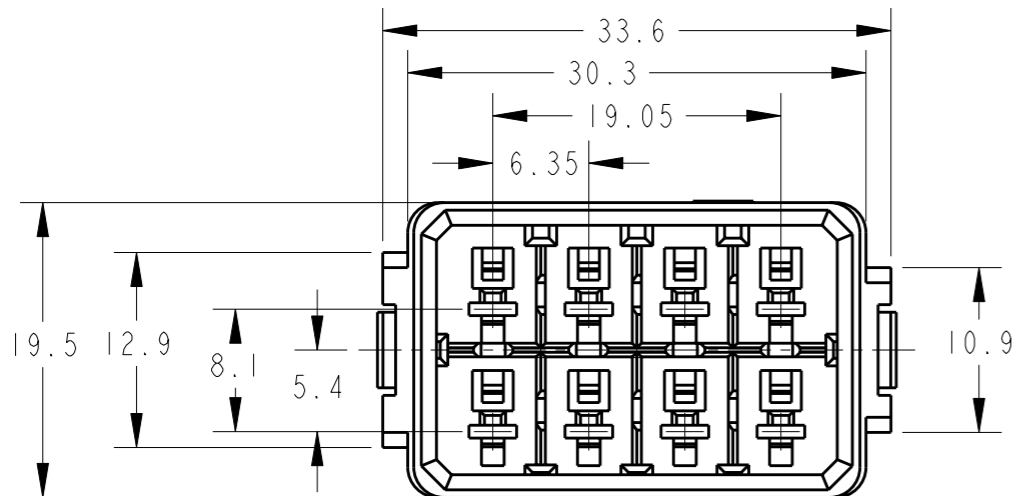
LOC	DIST	REVISIONS					
		P	LTR	DESCRIPTION	DATE	DWN	APVD
J	-		B	REVISED PER ECR-10-013235	08JUL2010	HMR	TM



1871417-1: AS SHOWN



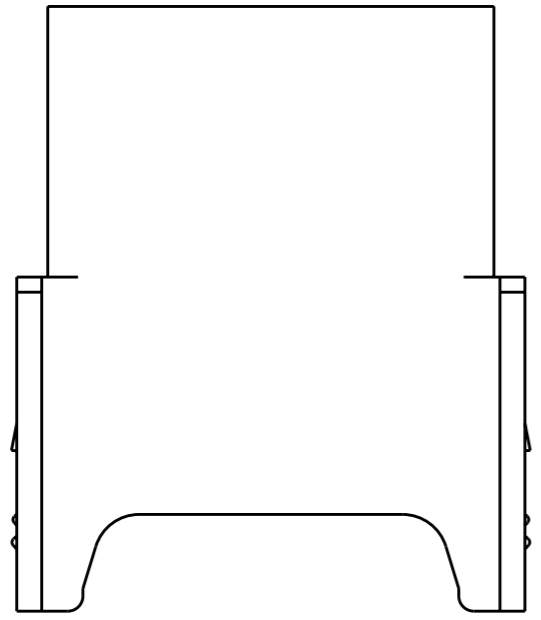
スケール 1:1



CIRKIT NO
回路番号

- 注記
- 材料: ガラス入り熱可塑性ポリエステル樹脂
色: 黒色
 - モジュール固定フレーム使用型番
 サイズ"3: 0-1108784-1
 サイズ"4: 0-1108783-1, 0-1108783-2
 サイズ"6: 0-1108782-1, 0-1108782-2
 サイズ"8: 0-1108780-1, 0-1108780-2

- NOTES
- MATERIAL: GLASS FIELD THERMO PLASTIC, POLYESTER
COLOR: BLACK
 - MODULE FIXATION FRAME USE P/N0
 SIZE3: 0-1108784-1
 SIZE4: 0-1108783-1, 0-1108783-2
 SIZE6: 0-1108782-1, 0-1108782-2
 SIZE8: 0-1108780-1, 0-1108780-2



THIS DRAWING IS A CONTROLLED DOCUMENT FOR TYCO ELECTRONICS CORPORATION IT IS SUBJECT TO CHANGE AND THE CONTROLLING ENGINEERING ORGANIZATION SHOULD BE CONTACTED FOR THE LATEST REVISION.		DWN T. Sakamoto 23JUN2006	Tyco Electronics Tyco Electronics AMP K.K. Kawasaki, Japan	
DIMENSIONS: 単位: 耗 mm	TOLERANCES UNLESS OTHERWISE SPECIFIED:	CHK D. Mitsugi 23JUN2006	NAME 名称 TAB HSG 8P DYNAMIC D-4800SERIES WITH HTS CONNECTOR	
	一般公差	APVD D. Mitsugi 23JUN2006	PRODUCT SPEC 製品規格 108-78388	SIZE A3
	0 PLC ±-	PRODUCT SPEC 製品規格 114-5369	APPLICATION SPEC 取付適用規格	CAGE CODE 00779
MATERIAL 材料	FINISH 仕上	WEIGHT -	DRAWING NO 番号 1871417	RESTRICTED TO -
CUSTOMER DRAWING			SCALE 尺度 2:1	SHEET 1 OF 1 REV B

X-ON Electronics

Largest Supplier of Electrical and Electronic Components

Click to view similar products for [Headers & Wire Housings](#) category:

Click to view products by [TE Connectivity](#) manufacturer:

Other Similar products are found below :

[95000-104TRLF](#) [10135584-644402LF](#) [DF62W-EP2022PCA](#) [95000-106TRLF](#) [DF62W-2022SCA](#) [DF62W-EP2022PC](#) [2203348](#) [DF62W-2022SC](#) [1084018](#) [1029039](#) [1084017](#) [802-10-012-10-002000](#) [1112640](#) [1112639](#) [000-34000](#) [0009482033](#) [0009507031](#) [57102-S06-03LF](#) [57202-S52-04LF](#) [PCN6-15S-2.5E](#) [0039019024](#) [58102-G61-06LF](#) [582553-1](#) [0009508121](#) [0050291907](#) [018731A](#) [LY20-4P-DT1-P1E-BR](#) [02.125.8002.8](#) [60101931](#) [60598-1 \(Cut Strip\)](#) [M1625-3R/100](#) [61062-3](#) [61082-181009](#) [636-1427](#) [638009-1](#) [641938-9](#) [641991-4](#) [644168-1](#) [647662-1](#) [65039-019ELF](#) [65817-002LF](#) [65817-015LF](#) [65863-015LF](#) [66207-023LF](#) [67016-026LF](#) [67046-001LF](#) [67095-007LF](#) [68002-116](#) [68016-236H](#) [68648-049](#)