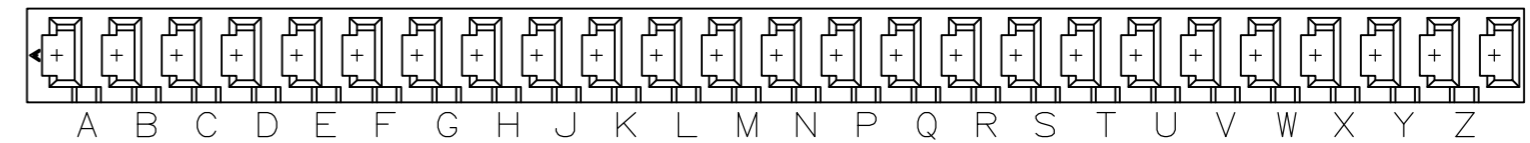
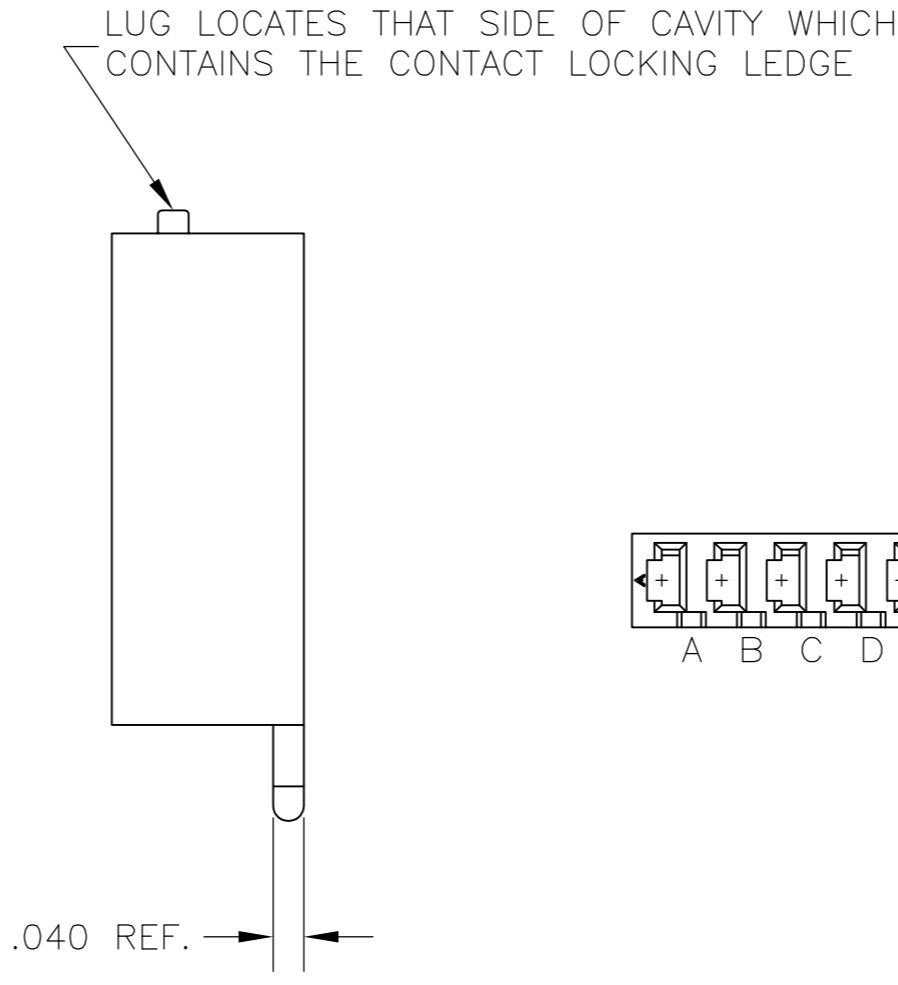
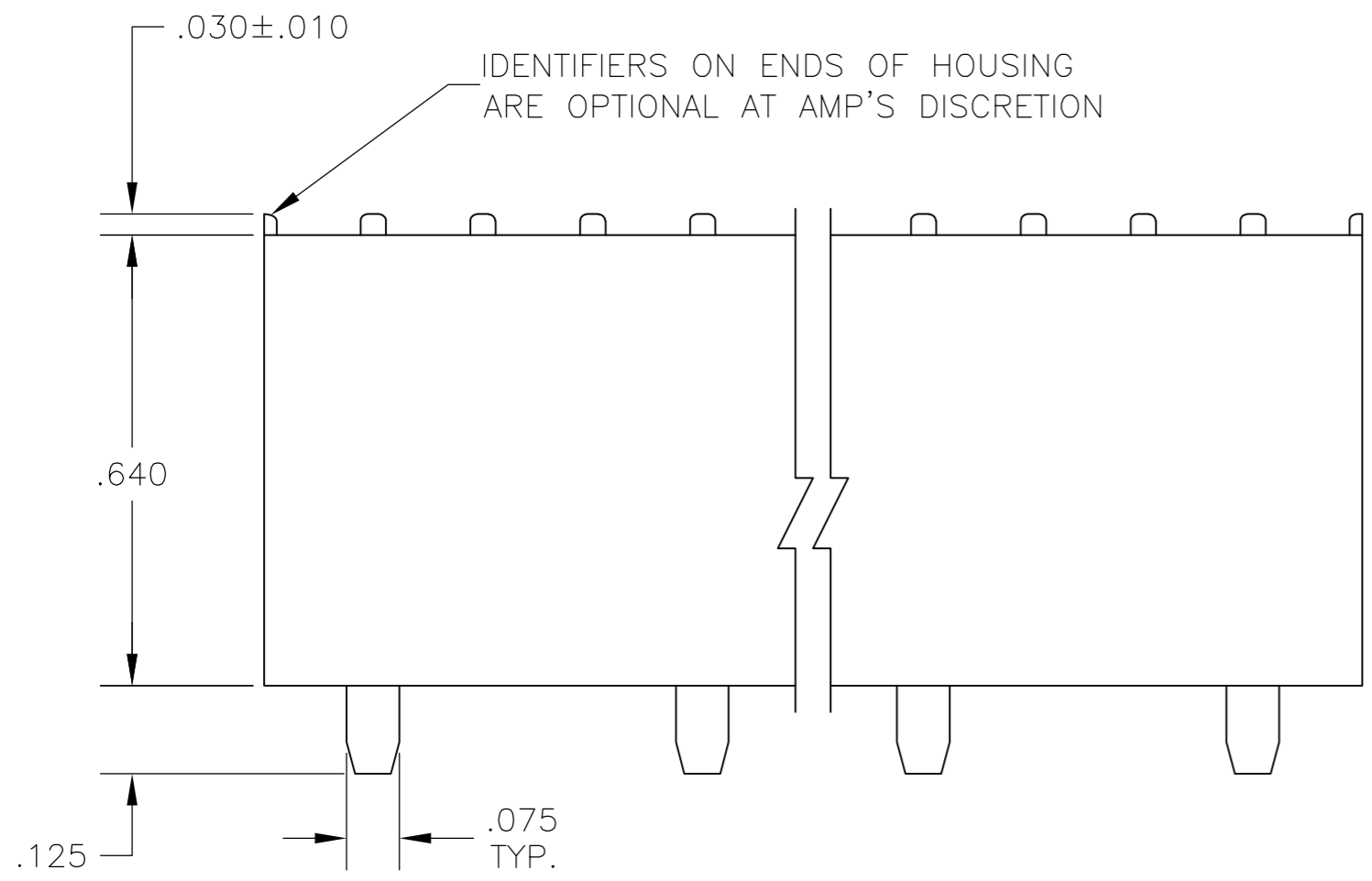
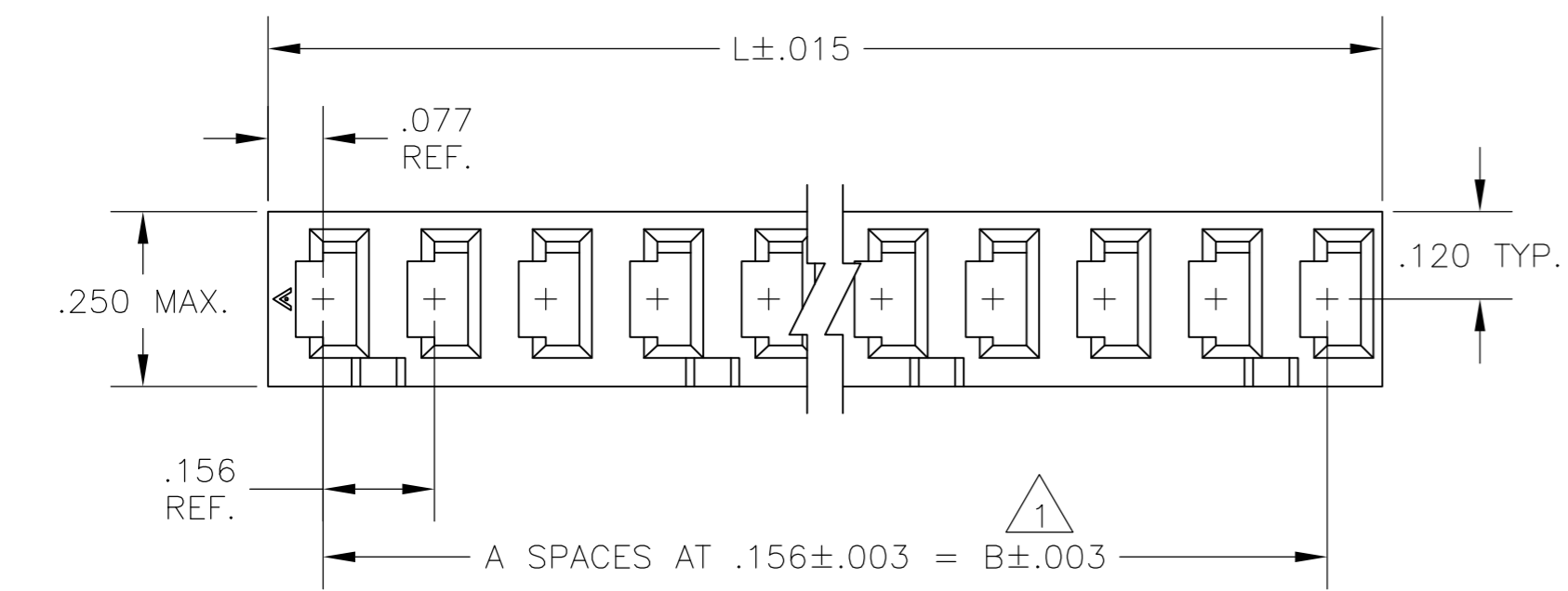


THIS DRAWING IS UNPUBLISHED. RELEASED FOR PUBLICATION
 © COPYRIGHT - By - ALL RIGHTS RESERVED.

LOC		DIST		REVISIONS			
P	LTR	DESCRIPTION		DATE	DWN	APVD	
AD	39	K2	REVISED PER ECO-11-004820		11MAR11	RK	HMR



KEY LOCATIONS (REF ONLY)



2	OBSOLETE	A,C,E,H,K,M,Q,S,U,W,Y	3.900	3.744	24	11	25	-2=87159-4
	OBSOLETE	A,C,E,G,J,L,N,Q,S,U,W,Y	3.744	3.588	23	12	24	2- -3
	OBSOLETE	A,D,G,K,N,R,U,X	3.588	3.432	22	8	23	2- -2
	OBSOLETE	A,C,E,G,J,L,N,Q,S,U,W	3.432	3.276	21	11	22	2- -1
	OBSOLETE	A,D,G,K,N,R,U	3.276	3.120	20	7	21	2- -0
2	OBSOLETE	A,C,E,G,J,L,N,Q,S,U	3.120	2.964	19	10	20	1- -9
	OBSOLETE	B,D,F,J,L,N,Q,S	2.964	2.808	18	8	19	1- -8
	OBSOLETE	A,D,F,J,P,S	2.808	2.652	17	6	18	1- -7
	OBSOLETE	A,D,G,K,N,R	2.652	2.496	16	6	17	1- -6
	OBSOLETE	A,C,E,G,J,L,N,Q	2.496	2.340	15	8	16	1- -5
	OBSOLETE	A,D,G,K,N	2.340	2.184	14	5	15	1- -4
	OBSOLETE	A,C,E,G,J,L,N	2.184	2.028	13	7	14	1- -3
	OBSOLETE	A,C,E,G,J,L	1.872	1.716	11	6	12	1- -2
	OBSOLETE	A,D,G,K	1.716	1.560	10	4	11	1- -1
	OBSOLETE	A,C,E,G,J	1.560	1.404	9	5	10	1- -0
2	OBSOLETE	A,D,G	1.404	1.248	8	3	9	-9
	OBSOLETE	A,C,E,G	1.248	1.092	7	4	8	-8
	OBSOLETE	A,C,E	1.092	.936	6	3	7	-7
	OBSOLETE	A,C,E	.936	.780	5	3	6	-6
	OBSOLETE	A,C	.624	.468	3	2	4	-5
	OBSOLETE	A	.468	.312	2	1	3	-4
	OBSOLETE	A	.312	.156	1	1	2	-3
	OBSOLETE	A,D,J,M,	2.028	1.872	12	4	13	-2
	OBSOLETE	A,D	.780	.624	4	2	5	87159-1
			KEY LOCATIONS	L	B	A	NO OF KEYS	NO OF POS

- 1 TOLERANCE NON CUMULATIVE
- 2 OBSOLETE PARTS: OBSOLETE CIS STREAMLINING PER D.RENAUD/D.SINISI

THIS DRAWING IS A CONTROLLED DOCUMENT.		DWN S. SHUEY 8-7-93		
DIMENSIONS: INCHES		CHK S. SHUEY 8-7-93		
TOLERANCES UNLESS OTHERWISE SPECIFIED:		APVD S. SHUEY 8-7-93		
0 PLC ± - 1 PLC ± - 2 PLC ± - 3 PLC ± .005 4 PLC ± - ANGLES ± - FINISH -		NAME		
MATERIAL: FLAME RETARDANT THERMOPLASTIC COLOR-BLACK		PRODUCT SPEC: 108-25016	HOUSING, MOD I, .156 CL. SINGLE ROW, CRIMP SNAP IN, KEYED	
		APPLICATION SPEC: 114-25000	SIZE: A2	CAGE CODE: 00779
		WEIGHT: -	DRAWING NO: C=87159	RESTRICTED TO: -
		CUSTOMER DRAWING	SCALE: 4:1	SHEET: 1 OF 1
			REV: K2	

X-ON Electronics

Largest Supplier of Electrical and Electronic Components

Click to view similar products for [Headers & Wire Housings](#) category:

Click to view products by [TE Connectivity](#) manufacturer:

Other Similar products are found below :

[892-18-020-10-001101](#) [58102-G61-06LF](#) [582553-1](#) [0009485154](#) [009176003701906](#) [0050291907](#) [LY20-4P-DT1-P1E-BR](#) [02.125.8002.8](#)
[609-3404](#) [61062-3](#) [61082-181009](#) [622-3653LF](#) [63453-116](#) [636-1030](#) [636-1427](#) [636-3427](#) [636-4007](#) [641938-9](#) [641991-4](#) [644827-2](#) [65817-010LF](#) [65817-015LF](#) [65863-015LF](#) [66207-023LF](#) [67095-007LF](#) [67601157](#) [68645-018](#) [68648-049](#) [70.362.1628.0](#) [70-4210](#) [70-4226B](#) [70-4853B](#) [707-5020](#) [707-5028](#) [71.350.2428.0](#) [71918-208LF](#) [71961-016LF](#) [733-134](#) [733-162](#) [754199-000](#) [760-3052](#) [787-8014-00](#) [79531-3000](#)
[FCN-360C032-B](#) [FCN-367T-T012/H](#) [FCN-723D010/2](#) [80.063.4001.1](#) [800-90-001-10-001000](#) [800-90-010-10-002000](#) [801-43-002-10-013000](#)