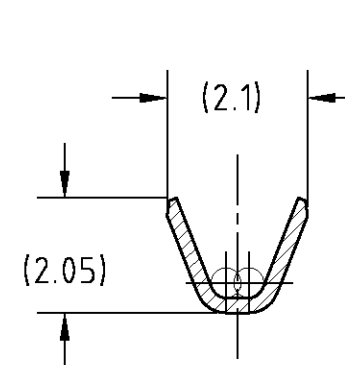
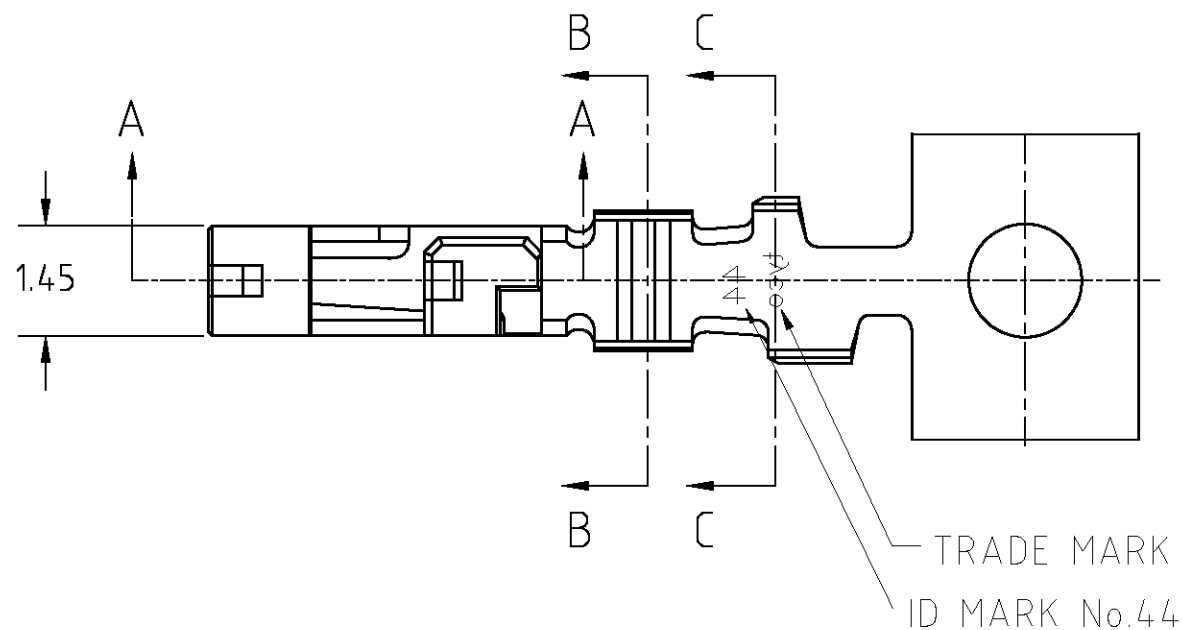
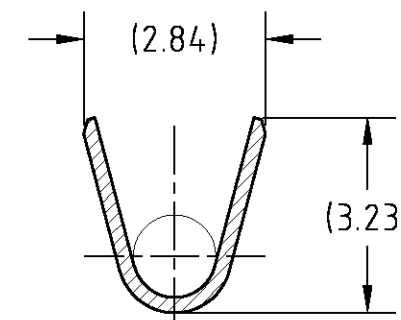


THIS DRAWING IS UNPUBLISHED. RELEASED FOR PUBLICATION
 © COPYRIGHT BY TYCO ELECTRONICS CORPORATION. ALL RIGHTS RESERVED.

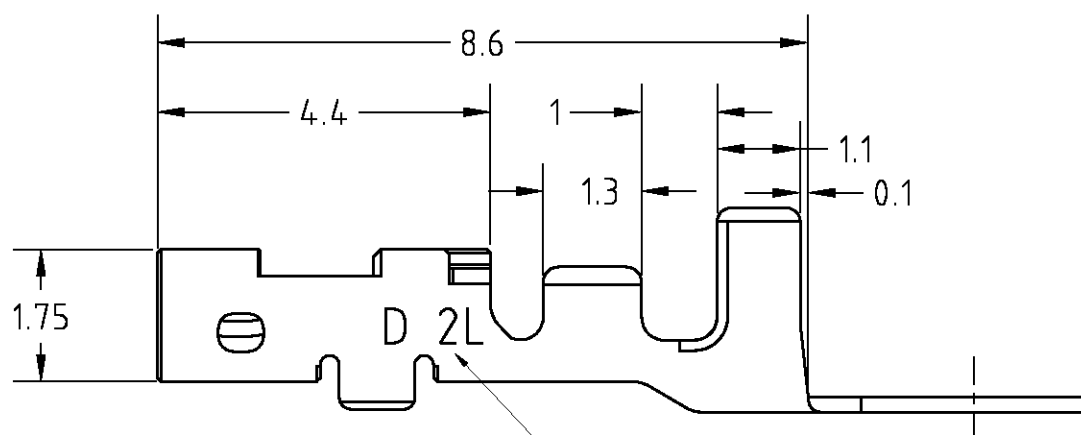
LOC	DIST	REVISIONS					
		P	LTR	DESCRIPTION	DATE	DWN	APVD
J	—		A	RELEASED	28JUN2005	T.K	D.M
			B	REVISED	07SEP2005	T.K	D.M
			C	REVISED	20NOV2009	Y.O	N.Y



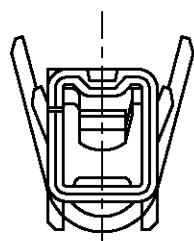
断面B-B
SECT



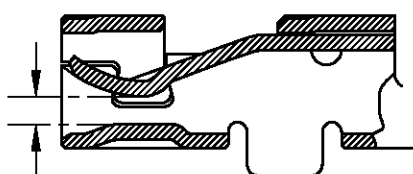
断面C-C
SECT



SERIES MARK



1.75



0.5tタブにかん合
MATE WITH 0.5t TAB

断面A-A
SECT

NOTE

- Application REC-HSG is applied to the product of 2.5mm PITCH or more of DYNAMIC D1000SERIES. 2.0mm PITCH cannot be used

AWG#22~#18 0.34~0.86mm ²	φ1.4~φ2.2	PRE-TIN COPPER ALLOY 錫めっき済銅合金	1871731-1
WIRE RANGE 導体断面積	INSULATION DIA 被覆外径	MATERIAL 材料	PART NO. 型番

THIS DRAWING IS A CONTROLLED DOCUMENT.		DWN T.KUDO 28JUN2005	Tyco Electronics Corporation Tyco Electronics Corporation Kawasaki, Japan	
DIMENSIONS: 単位: 耗 mm		CHK D.MITSUGI 28JUN2005	NAME 名称 DYNAMIC D1000 SERIES REC CONTACT (2L TYPE) TIN PLATE	
TOLERANCES UNLESS OTHERWISE SPECIFIED: 一般公差		APVD D.MITSUGI 28JUN2005	PRODUCT SPEC 製品規格 108-78298	
0 PLC ± 0.3		APPLICATION SPEC 取付適用規格 114-5377		
1 PLC ±		SIZE A3		
2 PXC ±		CAGE CODE 00779		
3 PLC ±		DRAWING NO 番号 C-1871731		
4 PLC ±		RESTRICTED TO —		
ANGLES ± 3deg		SCALE 尺度 10:1		
MATERIAL 材料		SHEET 1 OF 1		
FINISH 仕上		REV C		
CUSTOMER DRAWING				

X-ON Electronics

Largest Supplier of Electrical and Electronic Components

Click to view similar products for [Headers & Wire Housings](#) category:

Click to view products by [TE Connectivity](#) manufacturer:

Other Similar products are found below :

[892-18-020-10-001101](#) [58102-G61-06LF](#) [582553-1](#) [0009485154](#) [009176003701906](#) [0050291907](#) [LY20-4P-DT1-P1E-BR](#) [02.125.8002.8](#)
[609-3404](#) [61062-3](#) [61082-181009](#) [622-3653LF](#) [63453-116](#) [636-1030](#) [636-1427](#) [636-3427](#) [636-4007](#) [641938-9](#) [641991-4](#) [644827-2](#) [65817-010LF](#) [65817-015LF](#) [65863-015LF](#) [66207-023LF](#) [67095-007LF](#) [67601157](#) [68645-018](#) [68648-049](#) [70.362.1628.0](#) [70-4210](#) [70-4226B](#) [70-4853B](#) [707-5020](#) [707-5028](#) [71.350.2428.0](#) [71918-208LF](#) [71961-016LF](#) [733-134](#) [733-162](#) [754199-000](#) [760-3052](#) [787-8014-00](#) [79531-3000](#)
[FCN-360C032-B](#) [FCN-367T-T012/H](#) [FCN-723D010/2](#) [80.063.4001.1](#) [800-90-001-10-001000](#) [800-90-010-10-002000](#) [801-43-002-10-013000](#)