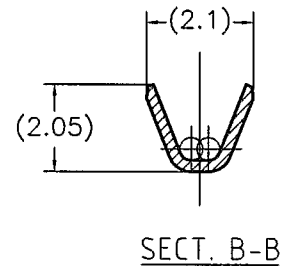
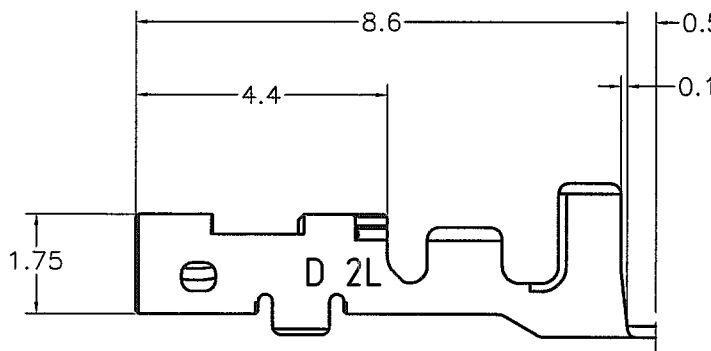
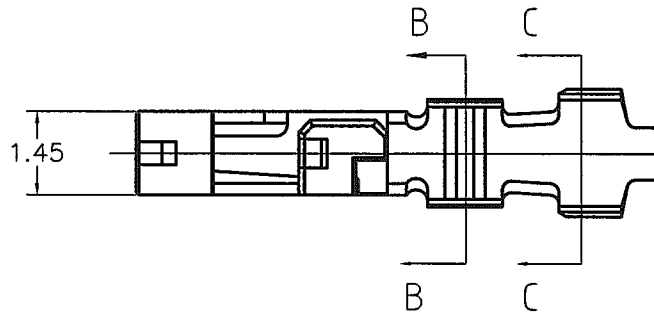
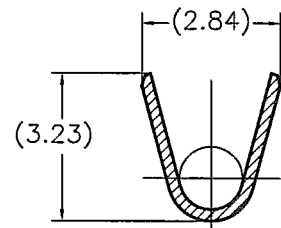
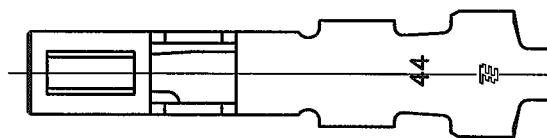


LOC J	DIST —	REVISIONS 変更			
P	LTR	DESCRIPTION	DATE	DWN	APVD
	B	REVISED PER ECR-10-010439	25MAY10	HMR	TM



SECT. B-B



SECT. C-C

NOTE

1. GENERAL TOLERANCE :  $\pm 0.3, \pm 3^\circ$
2. Application REC-HSG is applied to the product of 2.5mm PITCH or more of DYNAMIC D1000SERIES. 2.0mm PITCH cannot be used

THIS DRAWING IS UNPUBLISHED.

ALL RIGHTS RESERVED. BY TYCO ELECTRONICS CORPORATION. © COPYRIGHT

1871745-1
PART No.

DIMENSIONS: 单位: 精 mm  TOLERANCES UNLESS OTHERWISE SPECIFIED: 一般公差  0 PLC ± 1 PLC ± 2 PLC ± 3 PLC ± 4 PLC ± ANGLES ±	DWN T.KUDO 1JUL2005	MATERIAL 材料 PRE-TIN COPPER ALLOY	FINISH 仕上
	CHK D.MITSUGI 1JUL2005	Tyco Electronics Tyco Electronics AMP K.K. Kawasaki, Japan	
	APVD D.MITSUGI 1JUL2005	NAME 名称 DYNAMIC D1000 SERIES REC CONTACT (2L TYPE) TIN PLATE (L/P)	
	PRODUCT SPEC 製品規格 108-78298	SIZE A4	CAGE CODE 00779
APPLICATION SPEC 取付適用規格 114-5377	WEIGHT —	RESTRICTED TO —	
CUSTOMER DRAWING		SCALE 尺度 8:1	SHEET 1 OF 1
		REV B	

## X-ON Electronics

Largest Supplier of Electrical and Electronic Components

*Click to view similar products for [Headers & Wire Housings](#) category:*

*Click to view products by [TE Connectivity](#) manufacturer:*

Other Similar products are found below :

[892-18-020-10-001101](#) [58102-G61-06LF](#) [582553-1](#) [0009485154](#) [009176003701906](#) [0050291907](#) [LY20-4P-DT1-P1E-BR](#) [02.125.8002.8](#)  
[609-3404](#) [61062-3](#) [61082-181009](#) [622-3653LF](#) [63453-116](#) [636-1030](#) [636-1427](#) [636-3427](#) [636-4007](#) [641938-9](#) [641991-4](#) [644827-2](#) [65817-010LF](#) [65817-015LF](#) [65863-015LF](#) [66207-023LF](#) [67095-007LF](#) [67601157](#) [68645-018](#) [68648-049](#) [70.362.1628.0](#) [70-4210](#) [70-4226B](#) [70-4853B](#) [707-5020](#) [707-5028](#) [71.350.2428.0](#) [71918-208LF](#) [71961-016LF](#) [733-134](#) [733-162](#) [754199-000](#) [760-3052](#) [787-8014-00](#) [79531-3000](#)  
[FCN-360C032-B](#) [FCN-367T-T012/H](#) [FCN-723D010/2](#) [80.063.4001.1](#) [800-90-001-10-001000](#) [800-90-010-10-002000](#) [801-43-002-10-013000](#)