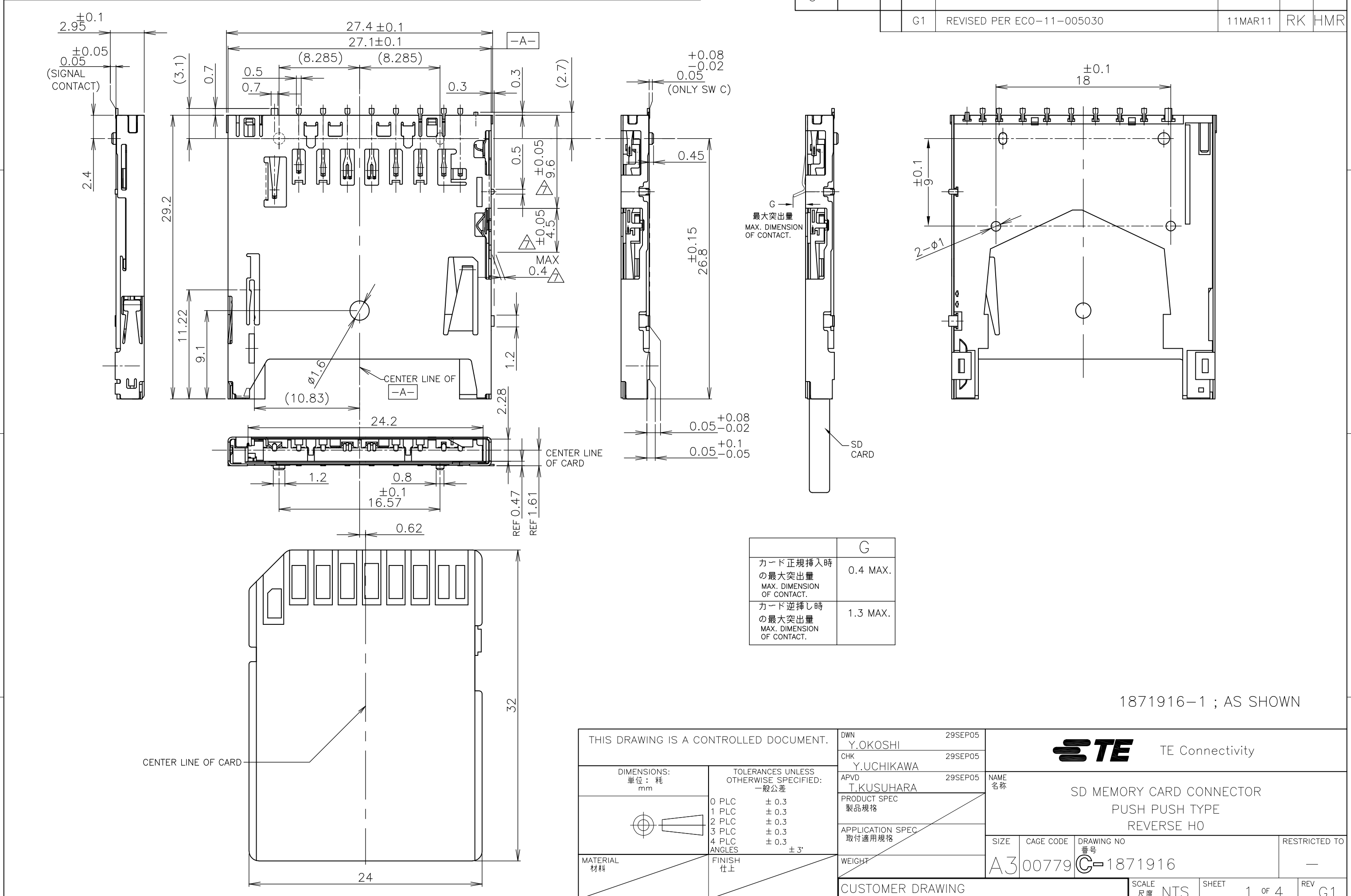


THIS DRAWING IS UNPUBLISHED. RELEASED FOR PUBLICATION
 © COPYRIGHT - By - ALL RIGHTS RESERVED.

LOC	DIST	REVISIONS					
		P	LTR	DESCRIPTION	DATE	DWN	APVD
J	-		G1	REVISED PER ECO-11-005030	11MAR11	RK	HMR



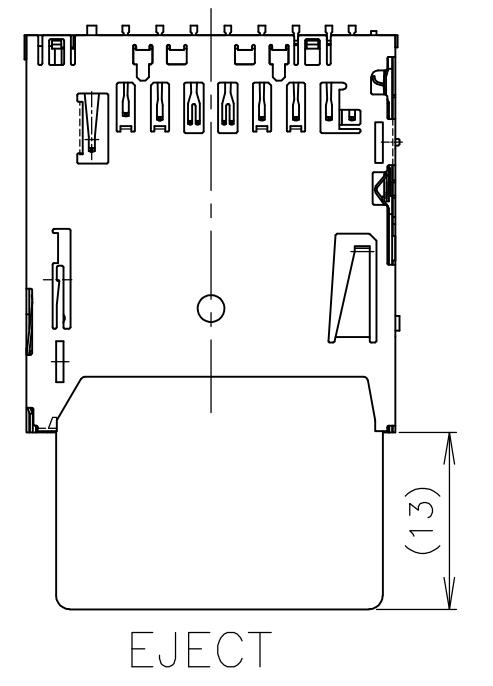
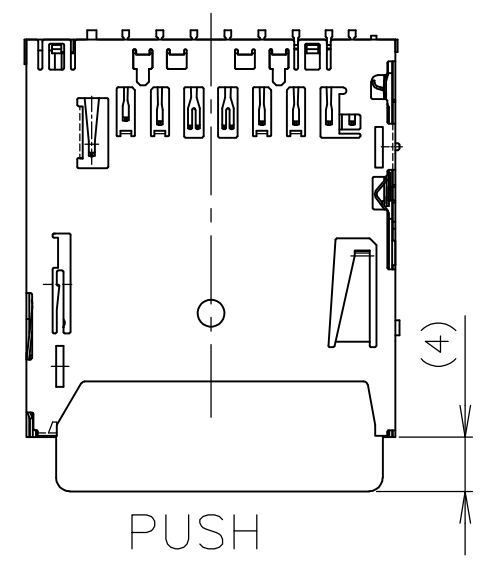
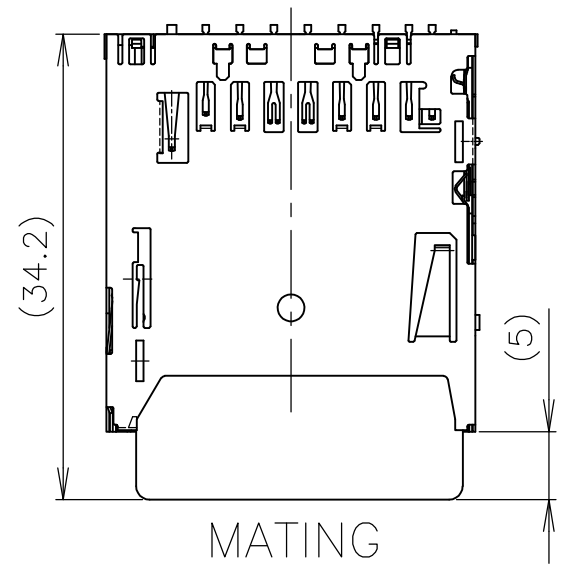
	G
カード正規挿入時の最大突出量の最大突出量 MAX. DIMENSION OF CONTACT.	0.4 MAX.
カード逆挿し時の最大突出量の最大突出量 MAX. DIMENSION OF CONTACT.	1.3 MAX.

1871916-1 ; AS SHOWN

THIS DRAWING IS A CONTROLLED DOCUMENT.		DWN Y.OKOSHI 29SEP05	TE Connectivity	
DIMENSIONS: 単位: 耗 mm		CHK Y.UCHIKAWA 29SEP05		
TOLERANCES UNLESS OTHERWISE SPECIFIED: 一般公差		APVD T.KUSUHARA 29SEP05	NAME 名称	
0 PLC ± 0.3		PRODUCT SPEC 製品規格		SD MEMORY CARD CONNECTOR PUSH PUSH TYPE REVERSE H0
1 PLC ± 0.3		APPLICATION SPEC 取付適用規格		
2 PLC ± 0.3		SIZE A3	CAGE CODE 00779	DRAWING NO 番号 G-1871916
3 PLC ± 0.3		WEIGHT		RESTRICTED TO
4 PLC ± 0.3		CUSTOMER DRAWING		SCALE 尺度 NTS
ANGLES ± 3'		FINISH 仕上		SHEET 1 OF 4
MATERIAL 材料		REV G1		

THIS DRAWING IS UNPUBLISHED. RELEASED FOR PUBLICATION
 © COPYRIGHT - By - ALL RIGHTS RESERVED.

LOC	DIST	REVISIONS				注記	
		P	LTR	DESCRIPTION	DATE		DWN
J	-			SEE SHEET 1	-	-	-



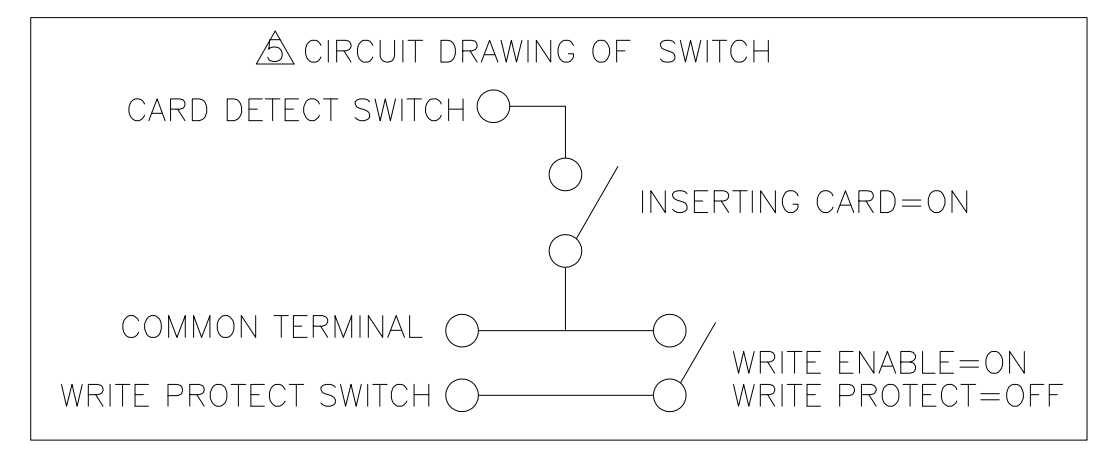
注記

- △ カード認識スイッチ用
- △ コモン端子用
- △ ライトプロテクトスイッチ用
- 4 カード挿入時の接触の順番
PIN #3,4 → PIN #2,5,6,7,8,9
カード認識スイッチ ← PIN #1
- △ スwitchの回路図
- 6 本製品は浸漬による洗浄は行わないこと。
- 7 適合基板厚 0.6±0.1mm
- 8 コプラナリティは、0.1mm以下。
- 9 材料
ハウジング : LCP樹脂、UL94V-0、黒色
コンタクト : 銅合金
シェル : 銅合金 (t=0.2)
- 10 仕上げ
コンタクト : 接点部 : Ni下地めっき 2~4μm、Auめっき0.2~0.5μm。
 タイン : Snめっき 2~4μm。(無光沢)
 タイン : Auめっき 0.05~0.13μm。(コモン端子)
シェル : Cu 0.5μm.MIN. Snめっき(前めっき リフロー処理) 1μm.MIN.

NOTE

- △ FOR CARD DETECT SWITCH
- △ FOR COMMON TERMINAL
- △ FOR WRITE PROTECT SWITCH
- 4 THE SEQUENCE OF CONTACT DURING CARD INSERTION
PIN #3,4 → PIN #2,5,6,7,8,9
CARD DETECT SWITCH ← PIN #1
- △ CIRCUIT DRAWING OF SWITCH
- 6 DON'T WASH BY IMMERSING THE CONNECTOR IN FLUID
- 7 APPLICABLE BOARD THICKNESS :0.8±0.1mm
- 8 COPLANARITY IS 0.1MAX.
- 9 MATERIAL
HOUSING : LCP,UL94V-0,BLACK
CONTACT : COPPER ALLOY
SHELL : COPPER ALLOY (t=0.2)
- 10 FINISH
CONTACT : CONTACT AREA:Ni UNDER PLATING 2~4μm. Au PLATING 0.2~0.5μm。
 TINE : Sn PLATING 2~4μm。(NON LUSTER)
 TINE : Au PLATING 0.05~0.13μm。(COMMON TERMINAL)
SHELL : Cu 0.5μm.MIN. Sn PLATING(PRE-TIN REFLOW) 1μm.MIN.

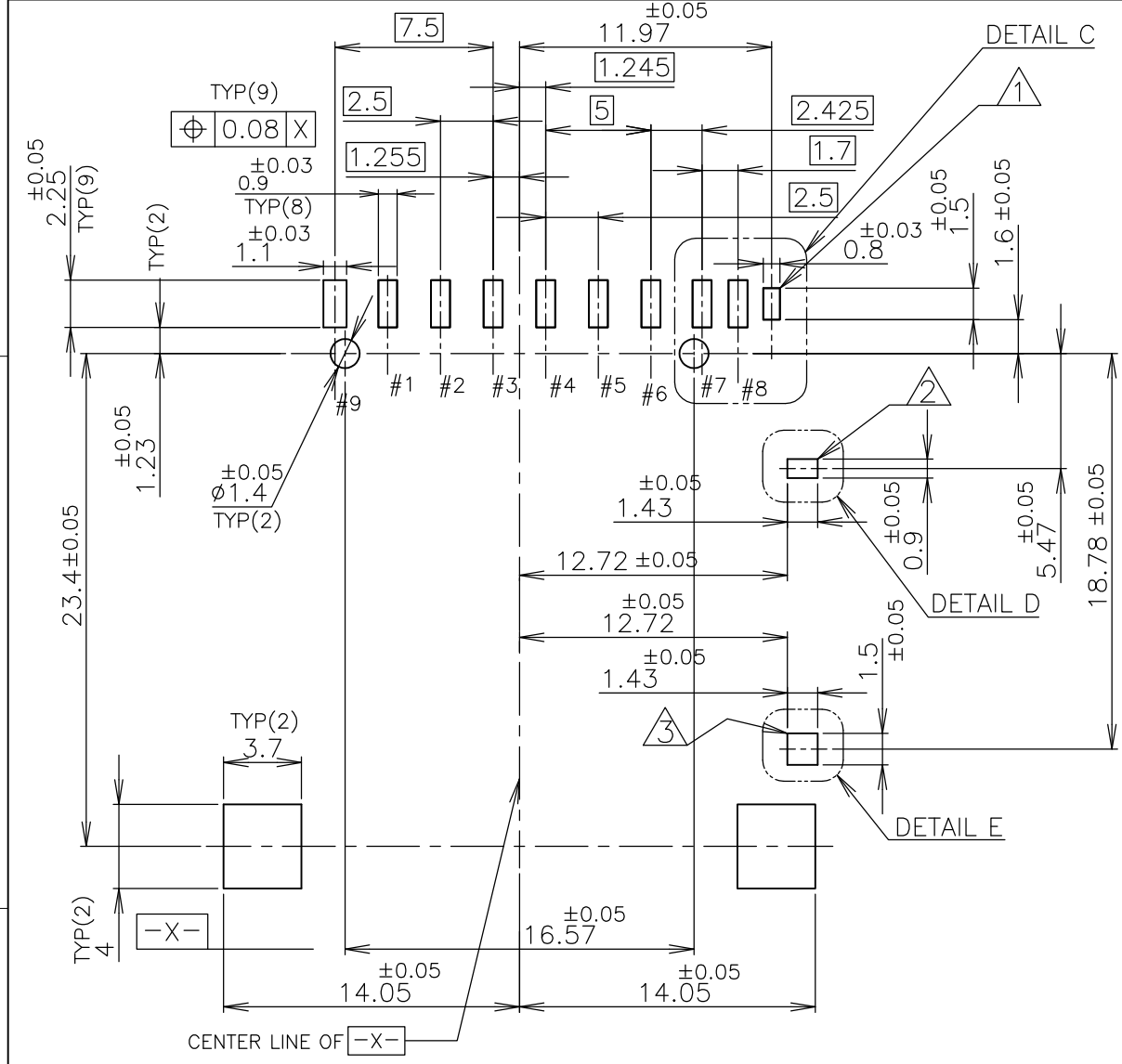
1871916-1 ; AS SHOWN



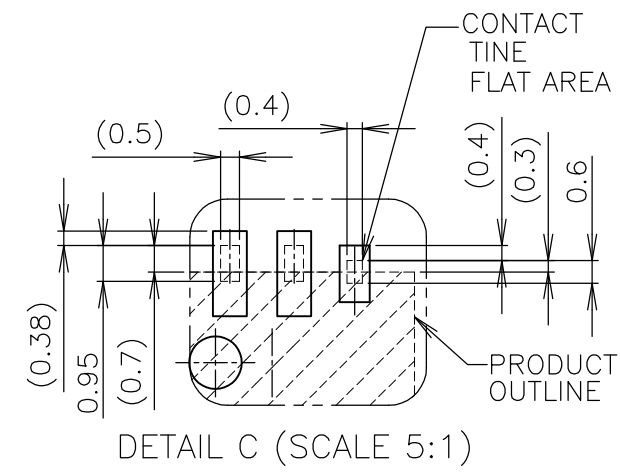
THIS DRAWING IS A CONTROLLED DOCUMENT.		DWN	STE TE Connectivity			
DIMENSIONS: 単位: 耗 mm		CHK				
TOLERANCES UNLESS OTHERWISE SPECIFIED: 一般公差		APVD	NAME 名称 SD MEMORY CARD CONNECTOR PUSH PUSH TYPE REVERSE H0			
0 PLC ± 0.3		PRODUCT SPEC 製品規格	SIZE	CAGE CODE	DRAWING NO 番号	RESTRICTED TO
1 PLC ± 0.3		APPLICATION SPEC 取付適用規格	A3	00779	G-1871916	-
2 PLC ± 0.3		WEIGHT	CUSTOMER DRAWING		SCALE 尺度 NTS	SHEET 2 OF 4
3 PLC ± 0.3						REV G1
4 PLC ± 0.3						
ANGLES ± 3'						
MATERIAL 材料						
FINISH 仕上						

THIS DRAWING IS UNPUBLISHED. RELEASED FOR PUBLICATION
 © COPYRIGHT - By - ALL RIGHTS RESERVED.

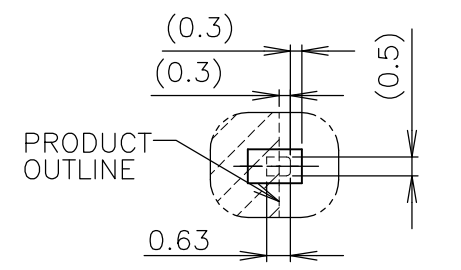
LOC	DIST	REVISIONS			DATE	DWN	APVD
		P	LTR	DESCRIPTION			
J	-	-	-	SEE SHEET 1	-	-	-



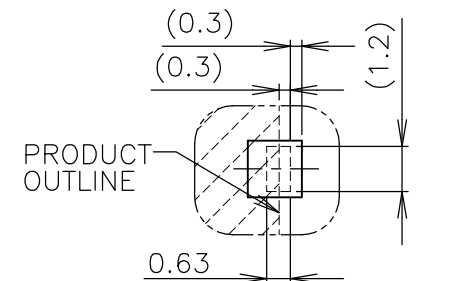
PCB PATTERN LAYOUT(REFERENCE)
 (VIEW FROM CONNECTOR MOUNT SIDE)



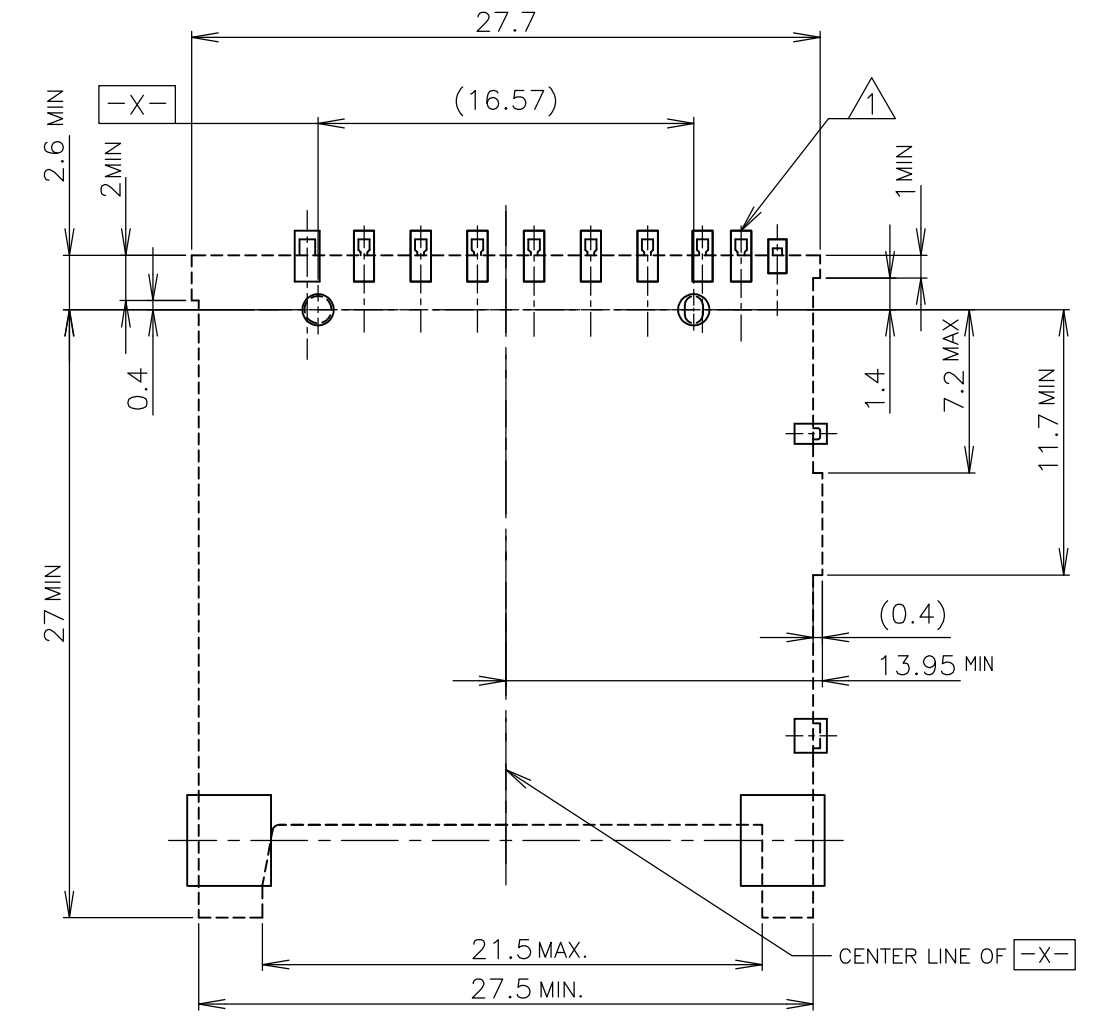
DETAIL C (SCALE 5:1)



DETAIL D (SCALE 5:1)

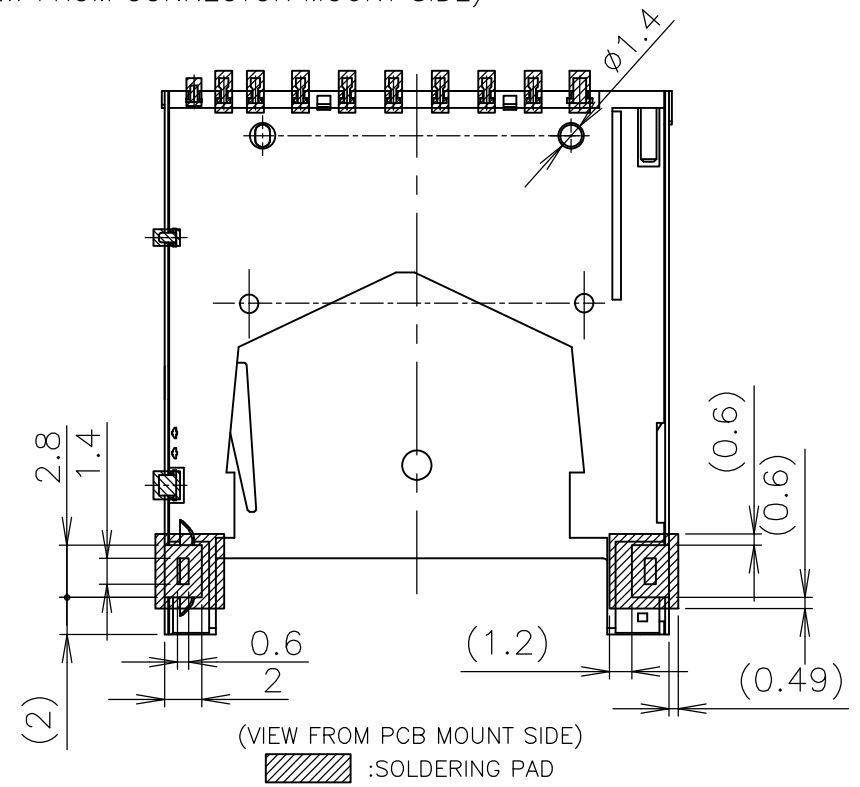


DETAIL E (SCALE 5:1)



(VIEW FROM CONNECTOR MOUNT SIDE)

▨ : COMPONENT PROHIBITION AREA
 □ : SOLDERING PAD



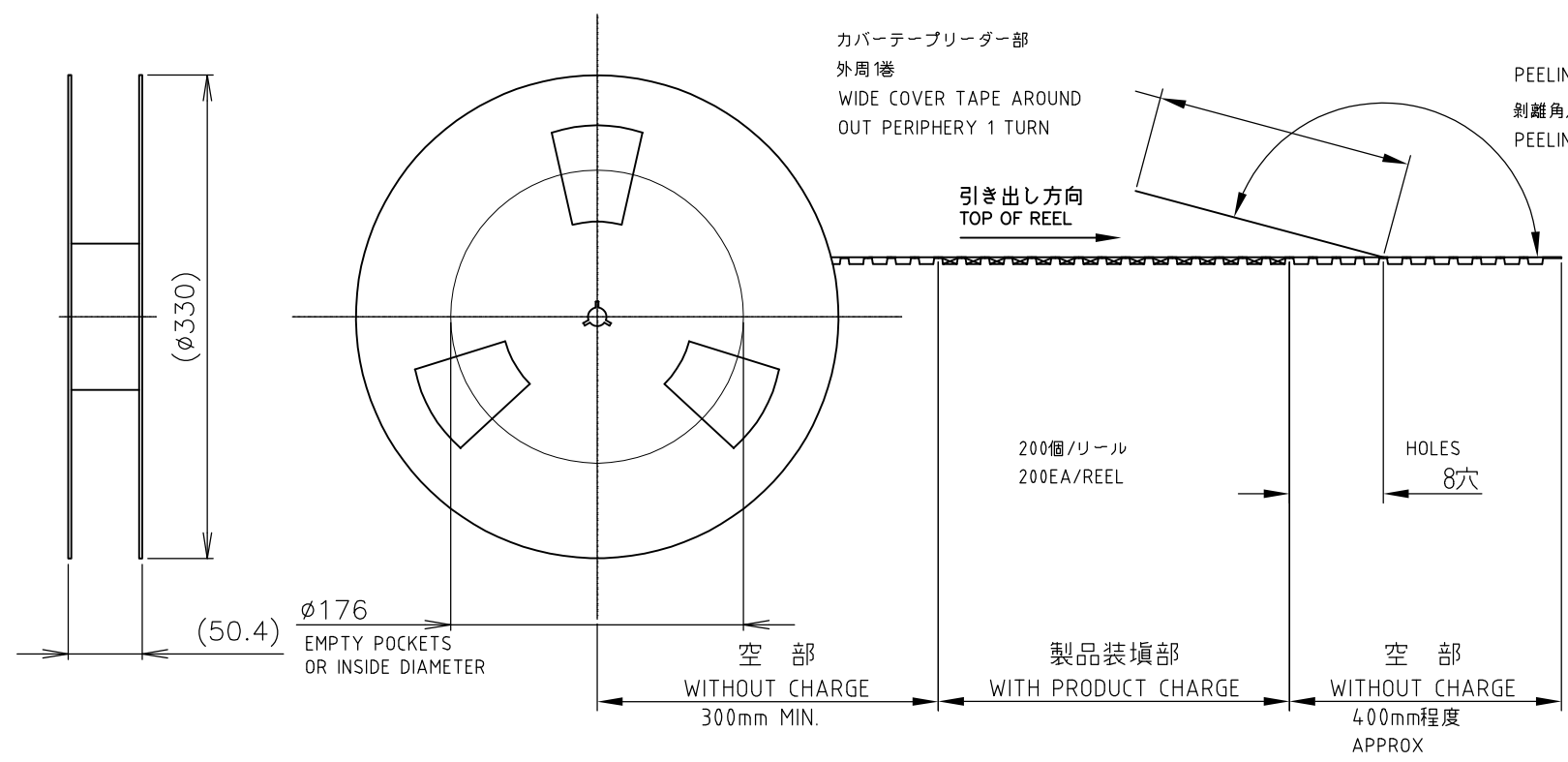
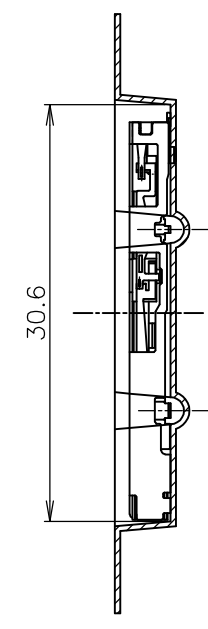
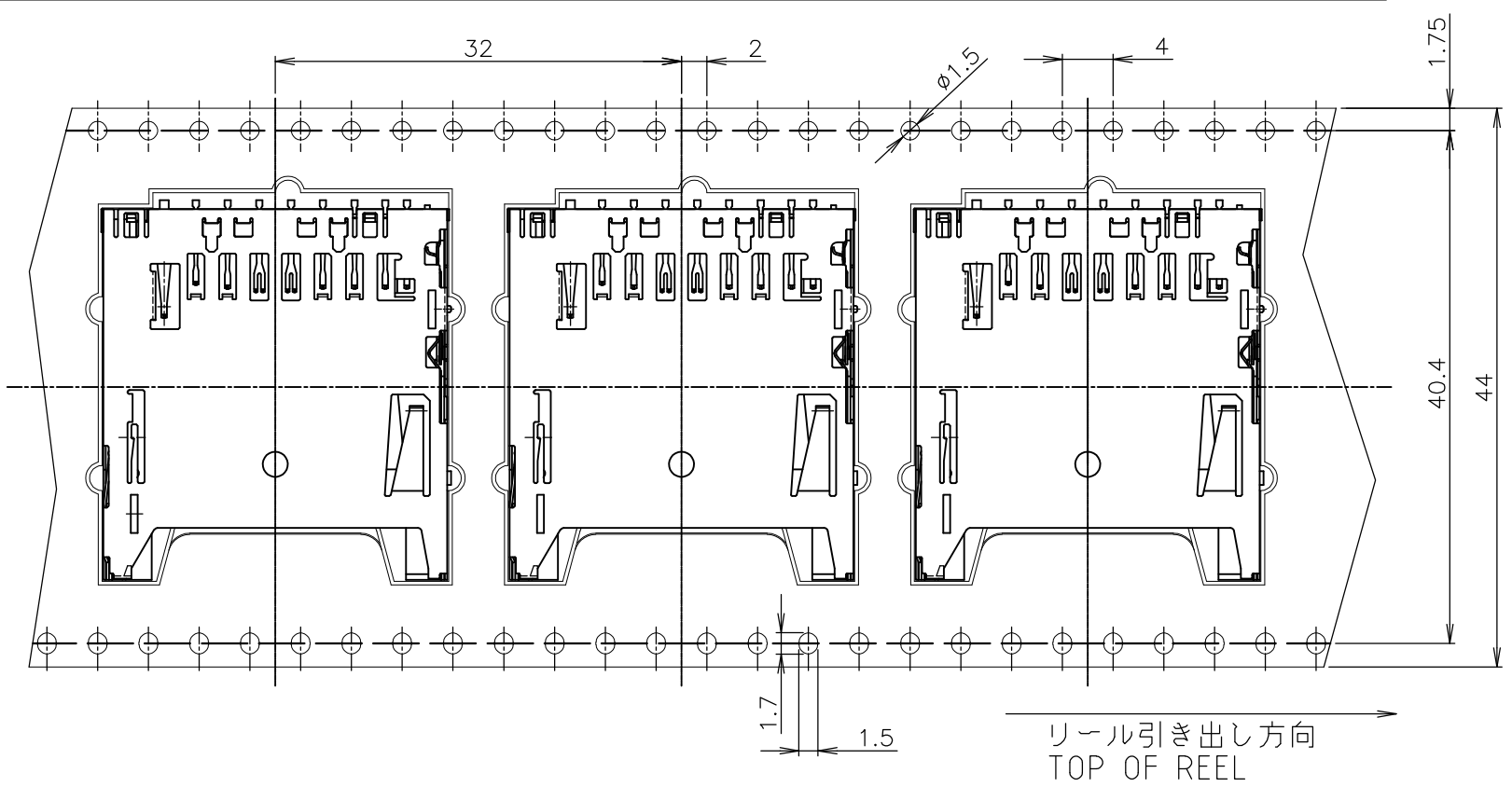
(VIEW FROM PCB MOUNT SIDE)

▨ : SOLDERING PAD

THIS DRAWING IS A CONTROLLED DOCUMENT.		DWN	TE Connectivity		
DIMENSIONS: 單位: 耗 mm		CHK			
TOLERANCES UNLESS OTHERWISE SPECIFIED: 一般公差		APVD	NAME 名称		
0 PLC ± 0.3		PRODUCT SPEC 製品規格	SD MEMORY CARD CONNECTOR PUSH PUSH TYPE REVERSE H0		
1 PLC ± 0.3		APPLICATION SPEC 取付適用規格	SIZE	CAGE CODE	DRAWING NO 番号
2 PLC ± 0.3		WEIGHT	A3	00779	G-1871916
3 PLC ± 0.3		RESTRICTED TO			
4 PLC ± 0.3		CUSTOMER DRAWING			
ANGLES ± 3°		SCALE 尺度	NTS	SHEET 3 OF 4	REV G1
MATERIAL 材料	FINISH 仕上				

THIS DRAWING IS UNPUBLISHED. RELEASED FOR PUBLICATION
 © COPYRIGHT - By - ALL RIGHTS RESERVED.

LOC	DIST	REVISIONS					
		P	LTR	DESCRIPTION	DATE	DWN	APVD
J	-	-	-	SEE SHEET 1	-	-	-



THIS DRAWING IS A CONTROLLED DOCUMENT.		DWN	STE TE Connectivity	
DIMENSIONS: 単位: 耗 mm		CHK		
TOLERANCES UNLESS OTHERWISE SPECIFIED: 一般公差		APVD	NAME 名称	
0 PLC ± 0.3		PRODUCT SPEC 製品規格	SD MEMORY CARD CONNECTOR	
1 PLC ± 0.3		APPLICATION SPEC 取付適用規格	PUSH PUSH TYPE	
2 PLC ± 0.3		WEIGHT	SIZE	CAGE CODE
3 PLC ± 0.3		CUSTOMER DRAWING	A3	00779
4 PLC ± 0.3			DRAWING NO 番号	G-1871916
ANGLES ± 3°		RESTRICTED TO	-	
FINISH 仕上		SCALE 尺度	NTS	SHEET 4 OF 4
MATERIAL 材料		REV	G1	

X-ON Electronics

Largest Supplier of Electrical and Electronic Components

Click to view similar products for [Memory Card Connectors](#) category:

Click to view products by [TE Connectivity](#) manufacturer:

Other Similar products are found below :

[M21-033321-005](#) [6407-249V-25273P](#) [6407-249V-25343P](#) [6426-201-21343](#) [69.920.0553.0](#) [FCN-568P068-G/07-4V](#) [809180410000000](#)
[N7E50-7516PG-20-WF](#) [HMCAP001](#) [2041353-2](#) [33CFAE-DN](#) [502431-1011](#) [EN2997S61212BN](#) [EN2997SE61212BN](#) [NX1-32T-KT3K\(05\)](#)
[95622-003LF](#) [N7E50-U516RB-50-SIN0005](#) [95079-00CALF](#) [33DVIR-29S12R](#) [125A-78C00](#) [MI20A-50PD-SF-EJL\(71\)](#) [KP10S-SF-PEJ\(812\)](#)
[504536-0691](#) [504580-0691](#) [CCM03-3109 B LFT](#) [MI21-50PD-SF\(91\)](#) [2309923-1](#) [61126-050CAHLF](#) [IC1GA-68PD-1.27DS-EJ\(72\)](#)
[GTFP08432B1HR](#) [G85DT17001P1EU](#) [G85B21611142HHR](#) [GSD090144HR](#) [G85D1140022P1HR](#) [GMCB05801124EU](#) [G85C11101152HHR](#)
[G85B231021B1HR](#) [G85D1160022HHR](#) [112K-TAA0-RA1](#) [115S-ACA2](#) [115S-ACA3](#) [115S-BS00](#) [115S-BT00](#) [115V-AD00](#) [MCSP-Q1-08-](#)
[A-SG-T/R](#) [503960-0695](#) [101B-TAA0-R](#) [101D-TAAA-R01](#) [101D-TAAB-R01](#) [104D-TCA0-R06](#)