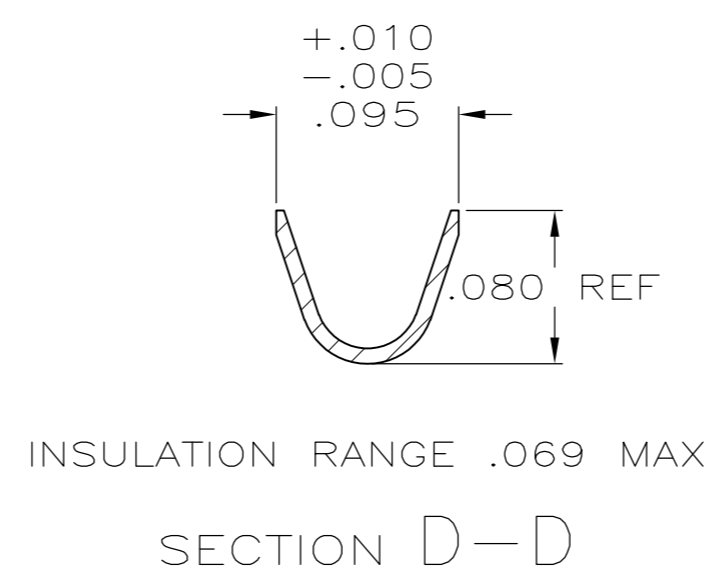
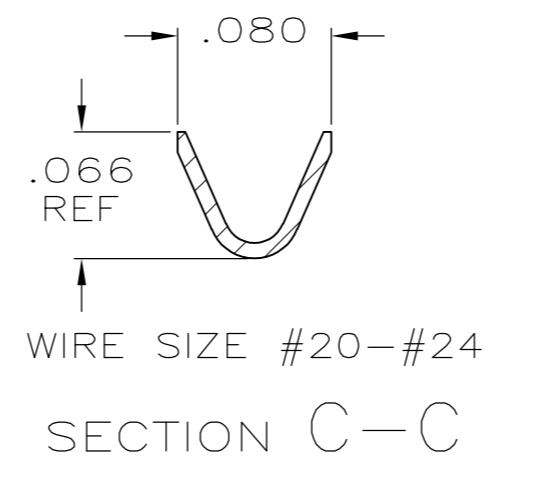
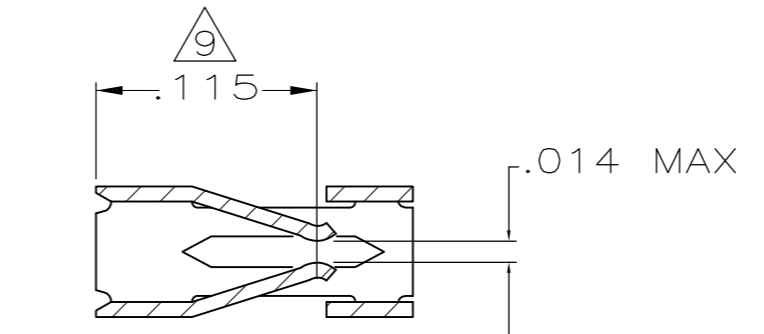
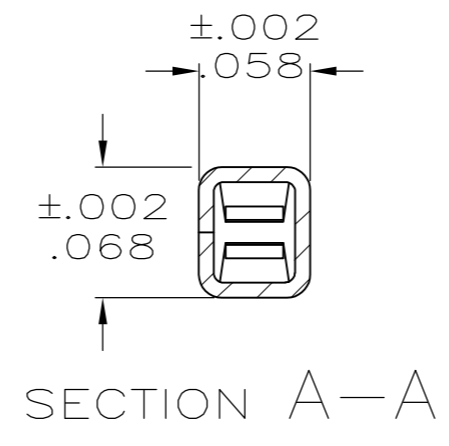
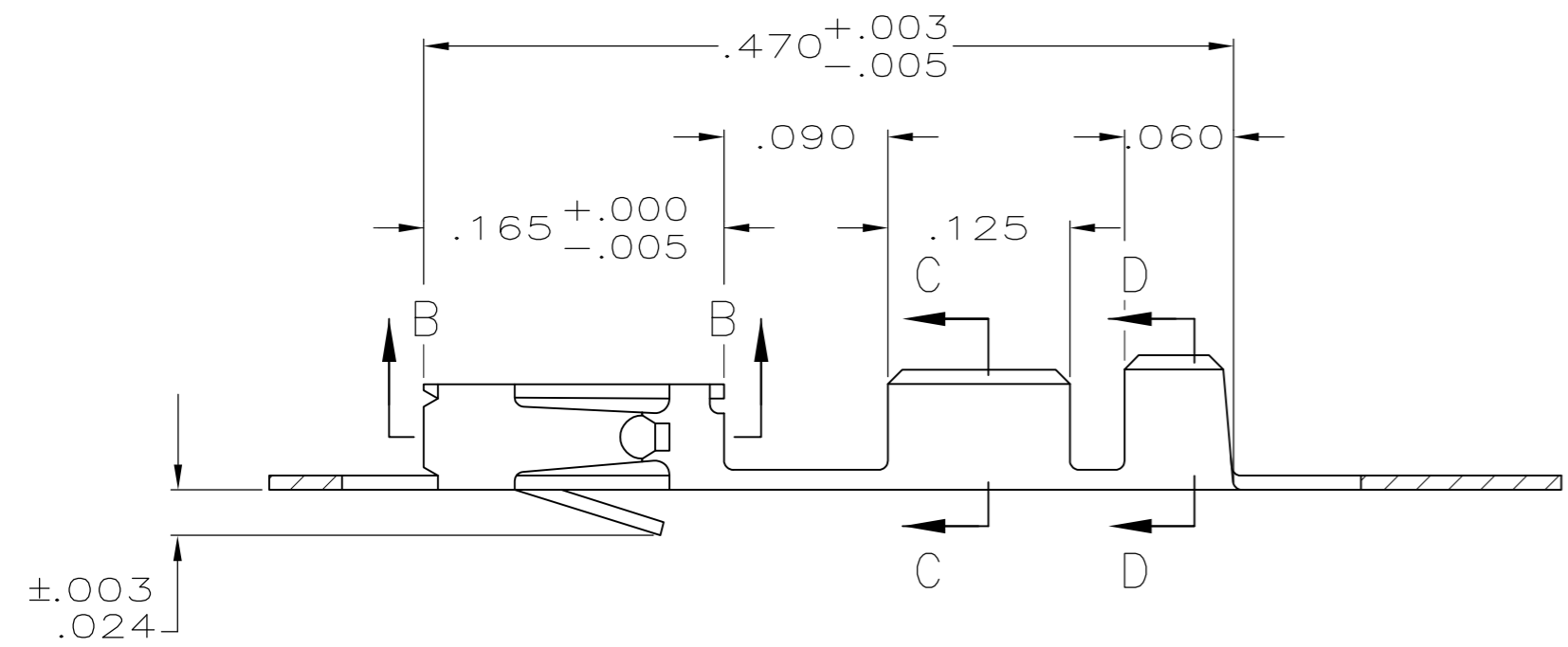
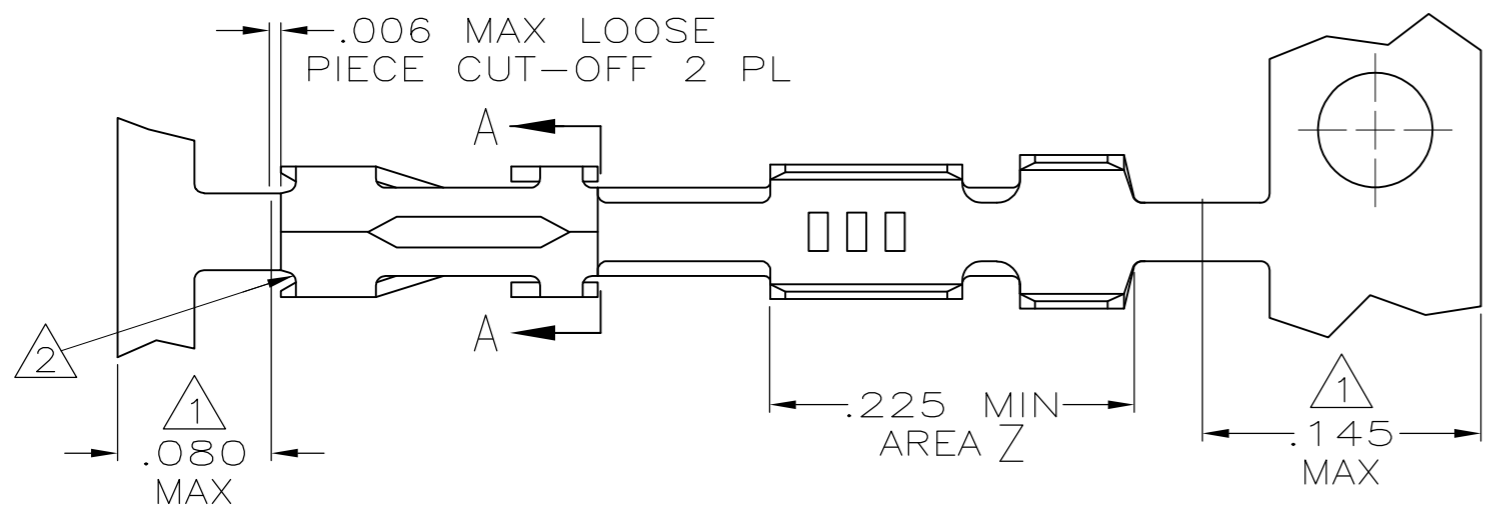


THIS DRAWING IS UNPUBLISHED. RELEASED FOR PUBLICATION
 © COPYRIGHT - By - ALL RIGHTS RESERVED.

| LOC | DIST | REVISIONS | | | |
|-----|------|-------------|---------------------------|---------|--------|
| P | LTR | DESCRIPTION | DATE | DWN | APVD |
| AD | 00 | M1 | REVISED PER ECO-11-004917 | 11MAR11 | RK HMR |



- 1 GOLD PLATING IS NOT REQUIRED IN THIS AREA.
- 2 CUT-OUTS ON THE BOX ARE AT MANUFACTURERS OPTION.
- 3 THIS TERMINAL IS REELED FOR THE STANDARD APPLICATOR.
- 4 THIS TERMINAL IS REELED FOR THE MINI APPLICATOR.
- 5 .000015 GOLD ON THE CONTACT AREA, GOLD FLASH ON THE REMAINDER ALL OVER .000050 NICKEL.
- 6 .000030 GOLD OVER .000050 NICKEL.
- 7 .000030 GOLD ON THE CONTACT AREA, GOLD FLASH ON THE REMAINDER ALL OVER .000050 NICKEL.
- 8 .000100-.000200 BRIGHT TIN-LEAD OVER .000050 NICKEL.
- 9 POINT OF MEASUREMENT FOR PLATING THICKNESS (INSIDE BEAMS).
- 10 SHEARED EDGES ARE PERMITTED TO BE UNPLATED.
- 11 .000015 GOLD ON THE CONTACT AREA, .000100-.000200 BRIGHT TIN-LEAD ON AREA Z, ALL OVER .000050 NICKEL.
- 12 .000030 GOLD ON THE CONTACT AREA, .000100-.000200 BRIGHT TIN-LEAD ON AREA Z, ALL OVER .000050 NICKEL.
- 13 .000030 GOLD ON CONTACT AREA, .000100-.000200 TIN ON AREA Z, ALL OVER .000050 NICKEL.
- 14 .000015 GOLD ON CONTACT AREA, .000100-.000200 TIN ON AREA Z, ALL OVER .000050 NICKEL.

| REMARKS | FINISH | LOOSE PIECE PART NUMBER | PART NUMBER | | |
|----------|--------|-------------------------|-------------|-----------|-----------|
| 4 | 10 | 14 | 2-87195-5 | 2-87195-4 | |
| 4 | 10 | 13 | 2-87195-6 | 2-87195-3 | |
| 4 | 10 | 12 | 2-87195-1 | 2-87195-0 | |
| | 4 | 10 | 11 | 1-87195-8 | 1-87195-7 |
| OBSOLETE | 4 | 8 | | 1-87195-6 | 1-87195-5 |
| OBSOLETE | | 3 | 8 | 1-87195-6 | 1-87195-4 |
| OBSOLETE | 4 | 7 | | 1-87195-0 | 87195-9 |
| OBSOLETE | | 3 | 7 | 1-87195-0 | 87195-8 |
| OBSOLETE | 4 | 6 | | 87195-7 | 87195-6 |
| OBSOLETE | | 3 | 6 | 87195-7 | 87195-5 |
| OBSOLETE | 4 | 5 | | 87195-4 | 87195-3 |
| OBSOLETE | | 3 | 5 | 87195-4 | 87195-2 |

THIS DRAWING IS A CONTROLLED DOCUMENT.

| | | |
|------|-------------|--------|
| DWN | L.D.RINGLEY | 1-6-86 |
| CHK | J.L.GESFORD | 1-6-86 |
| APVD | J.GESFORD | 1-6-86 |

TE Connectivity

CONTACT, MOD IV 1/2, RECEPTACLE, CRIMP

| | | | |
|------|-----------|------------|---------------|
| SIZE | CAGE CODE | DRAWING NO | RESTRICTED TO |
| A2 | 00779 | C=87195 | - |

SCALE 10:1 SHEET 1 OF 1 REV M1

X-ON Electronics

Largest Supplier of Electrical and Electronic Components

Click to view similar products for [Headers & Wire Housings](#) category:

Click to view products by [TE Connectivity](#) manufacturer:

Other Similar products are found below :

[892-18-020-10-001101](#) [58102-G61-06LF](#) [582553-1](#) [0009485154](#) [009176003701906](#) [0050291907](#) [LY20-4P-DT1-P1E-BR](#) [02.125.8002.8](#)
[609-3404](#) [61062-3](#) [61082-181009](#) [622-3653LF](#) [63453-116](#) [636-1030](#) [636-1427](#) [636-3427](#) [636-4007](#) [641938-9](#) [641991-4](#) [644827-2](#) [65817-](#)
[010LF](#) [65817-015LF](#) [65863-015LF](#) [66207-023LF](#) [67095-007LF](#) [67601157](#) [68645-018](#) [68648-049](#) [70.362.1628.0](#) [70-4210](#) [70-4226B](#) [70-](#)
[4853B](#) [707-5020](#) [707-5028](#) [71.350.2428.0](#) [71918-208LF](#) [71961-016LF](#) [733-134](#) [733-162](#) [754199-000](#) [760-3052](#) [787-8014-00](#) [79531-3000](#)
[FCN-360C032-B](#) [FCN-367T-T012/H](#) [FCN-723D010/2](#) [80.063.4001.1](#) [800-90-001-10-001000](#) [800-90-010-10-002000](#) [801-43-002-10-013000](#)