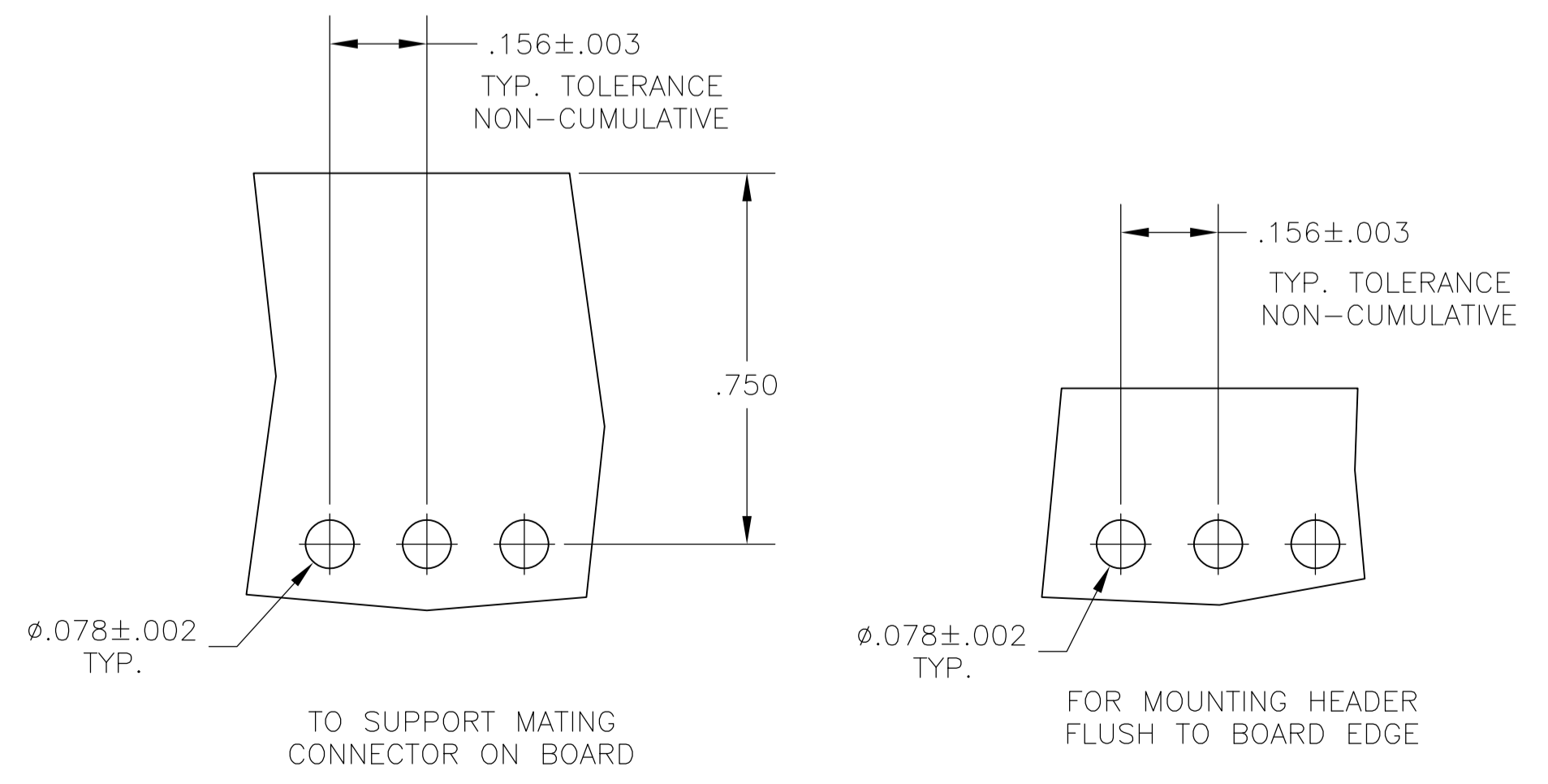
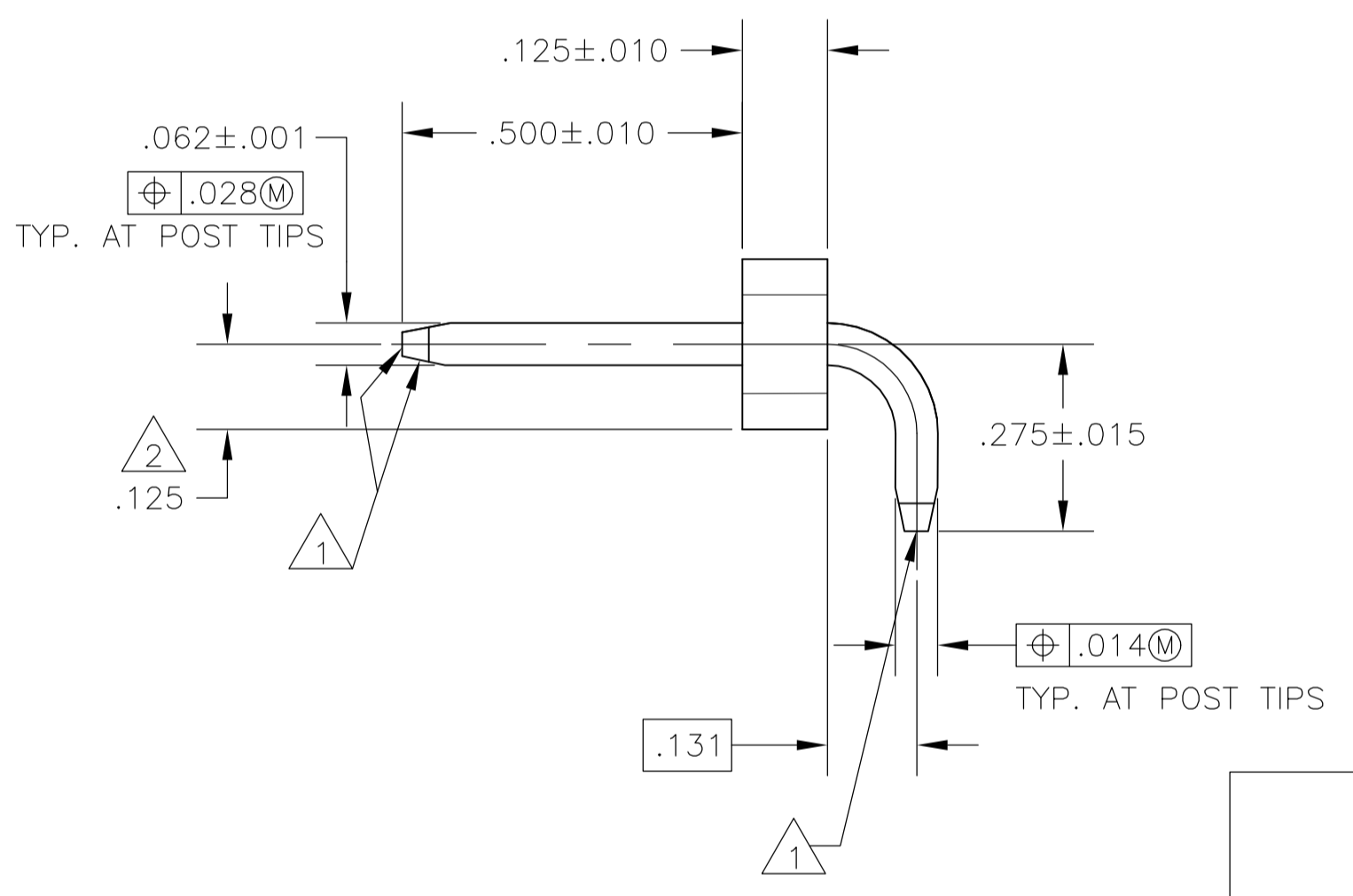
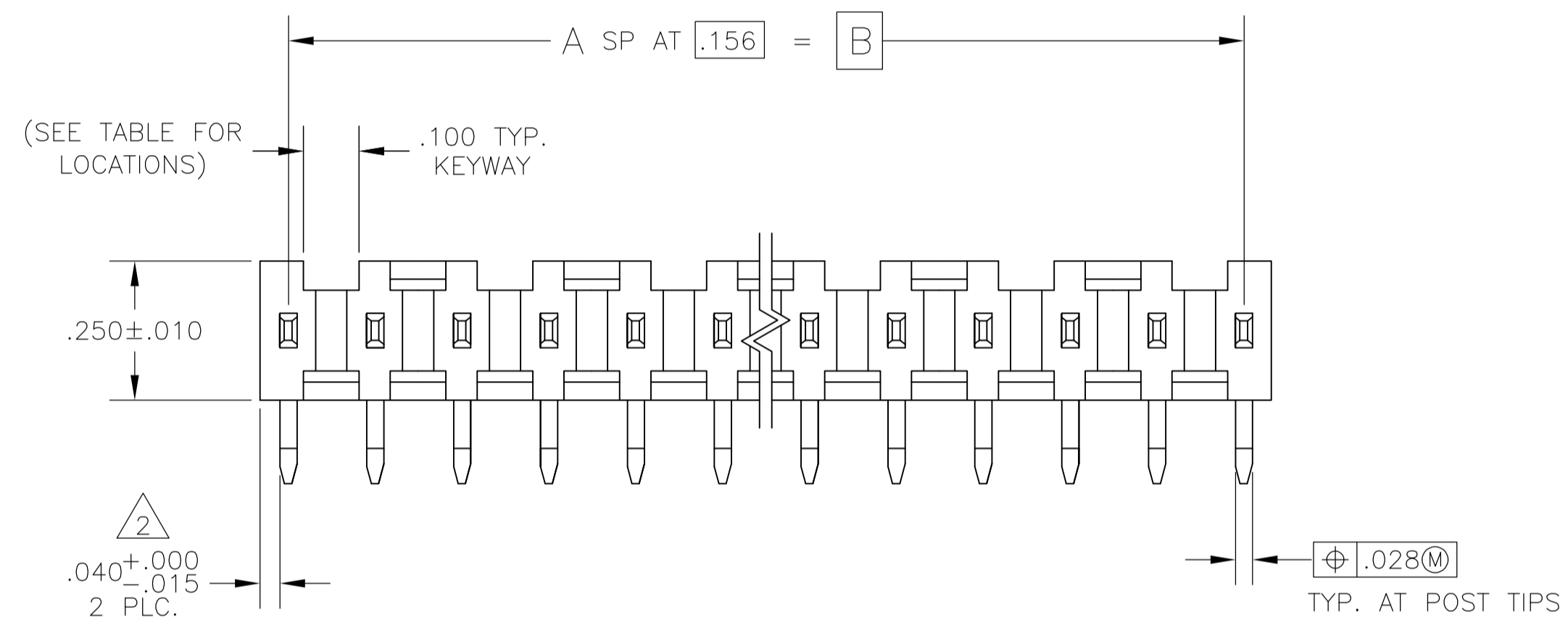
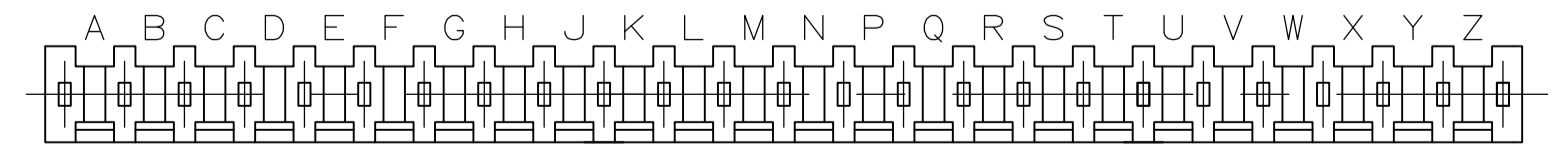


- 1 THE TIPS OF THE POSTS WILL NOT BE PLATED
- 2 THE NOTED DIMENSIONS APPLY AT THE INTERSECTION OF THE POST AND THE HOUSING
- 3 OBSOLETE PARTS: OBSOLETE CIS STREAMLINING PER D.RENAUD/D.SINISI



RECOMMENDED BOARD LAYOUT



KEYWAYS LOCATIONS (REF-SEE TABLE)  
 (MATING LENGTH OF POST ON NEAR SIDE)  
 SCALE 2:1

3	OBSOLETE	A,C,E,H,K,M,Q,S,U,W,Y	11	3.855	3.744	24	25	2-87258-5
		A,C,E,G,J,L,N,Q,S,U,W,Y	12	3.699	3.588	23	24	2-87258-4
		A,D,G,K,N,R,U,X	8	3.543	3.432	22	23	2-87258-3
		A,C,E,G,J,L,N,Q,S,U,W	11	3.387	3.276	21	22	2-87258-2
		A,D,G,K,N,R,U	7	3.231	3.120	20	21	2-87258-1
		A,C,E,G,J,L,N,Q,S,U	10	3.075	2.964	19	20	2-87258-0
		B,D,F,J,L,N,Q,S	8	2.919	2.808	18	19	1-87258-9
		A,D,F,J,M,P,S	7	2.763	2.652	17	18	1-87258-8
		A,D,G,K,N,R	6	2.607	2.496	16	17	1-87258-7
		A,C,E,G,J,L,N,Q	8	2.451	2.340	15	16	1-87258-6
		A,D,G,K,N	5	2.295	2.184	14	15	1-87258-5
		A,C,E,G,J,L,N	7	2.139	2.028	13	14	1-87258-4
		A,D,J,M	4	1.983	1.872	12	13	1-87258-3
		A,C,E,G,J,L	6	1.827	1.716	11	12	1-87258-2
		A,D,G,K	4	1.671	1.560	10	11	1-87258-1
3	OBSOLETE	A,C,E,G,J	5	1.515	1.404	9	10	1-87258-0
3	OBSOLETE	A,D,G	3	1.359	1.248	8	9	87258-9
3	OBSOLETE	A,C,E,G	4	1.203	1.092	7	8	87258-8
		A,C,E	3	1.047	.936	6	7	87258-7
		A,C,E	3	.891	.780	5	6	87258-6
		A,D	2	.735	.624	4	5	87258-5
		A,C	2	.579	.468	3	4	87258-4
		A	1	.423	.312	2	3	87258-3
		A	1	.267	.156	1	2	87258-2
		KEYWAY LOCATIONS	NO. OF KEYWAY	C	B	A	NO. OF POSN	ASSEMBLY PART NUMBER

THIS DRAWING IS A CONTROLLED DOCUMENT.

DIMENSIONS: INCHES	TOLERANCES UNLESS OTHERWISE SPECIFIED:	DIN H MOLL 3-23-88	tyco Electronics Tyco Electronics Corporation Harrisburg, Pa 17105-3608
0 PLC ± -	1 PLC ± -	ED TREECE 3-23-88	NAME: HEADER ASSEMBLY, MOD 1, RIGHT ANGLE, SINGLE ROW, .156 C/L
2 PLC ± -	3 PLC ± .005	ED TREECE 3-23-88	PRODUCT SPEC: 108-25016
4 PLC ± -	ANGLES ± -		APPLICATION SPEC: -
MATERIAL: FLAME RETARDANT THERMOPLASTIC COLOR: BLACK POSTS: BRASS	FINISH: PRE-PLATED STOCK: .000015 GOLD OVER .000050 NICKEL	SIZE: A1	WEIGHT: -
		CAGE CODE: 00779	DRAWING NO: 87258
		CUSTOMER DRAWING	SCALE: 4:1 SHEET 1 OF 1 REV: M1

## X-ON Electronics

Largest Supplier of Electrical and Electronic Components

*Click to view similar products for [Headers & Wire Housings](#) category:*

*Click to view products by [TE Connectivity](#) manufacturer:*

Other Similar products are found below :

[892-18-020-10-001101](#) [58102-G61-06LF](#) [582553-1](#) [0009485154](#) [009176003701906](#) [0050291907](#) [LY20-4P-DT1-P1E-BR](#) [02.125.8002.8](#)  
[609-3404](#) [61062-3](#) [61082-181009](#) [622-3653LF](#) [63453-116](#) [636-1030](#) [636-1427](#) [636-3427](#) [636-4007](#) [641938-9](#) [641991-4](#) [644827-2](#) [65817-](#)  
[010LF](#) [65817-015LF](#) [65863-015LF](#) [66207-023LF](#) [67095-007LF](#) [67601157](#) [68645-018](#) [68648-049](#) [70.362.1628.0](#) [70-4210](#) [70-4226B](#) [70-](#)  
[4853B](#) [707-5020](#) [707-5028](#) [71.350.2428.0](#) [71918-208LF](#) [71961-016LF](#) [733-134](#) [733-162](#) [754199-000](#) [760-3052](#) [787-8014-00](#) [79531-3000](#)  
[FCN-360C032-B](#) [FCN-367T-T012/H](#) [FCN-723D010/2](#) [80.063.4001.1](#) [800-90-001-10-001000](#) [800-90-010-10-002000](#) [801-43-002-10-013000](#)