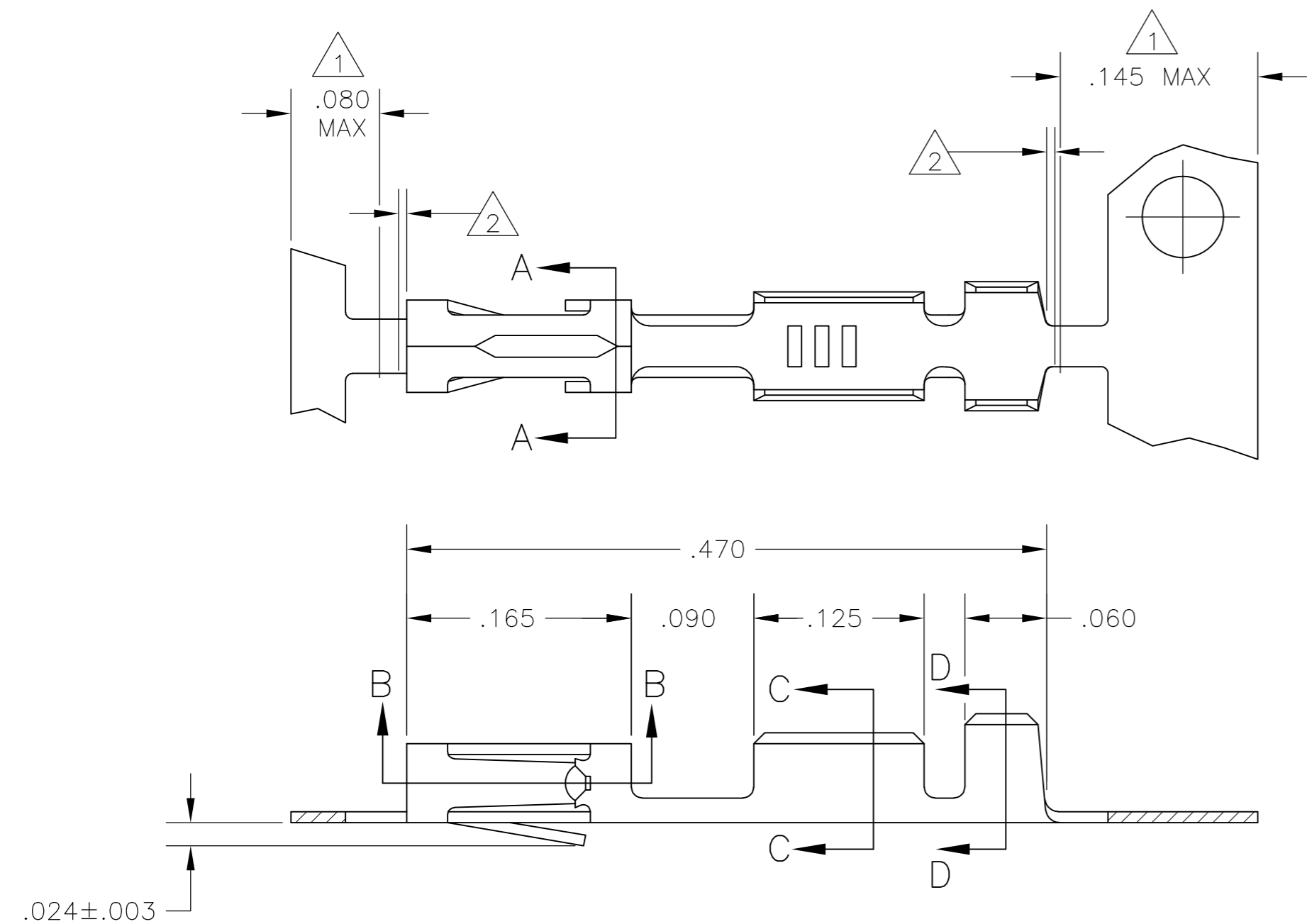
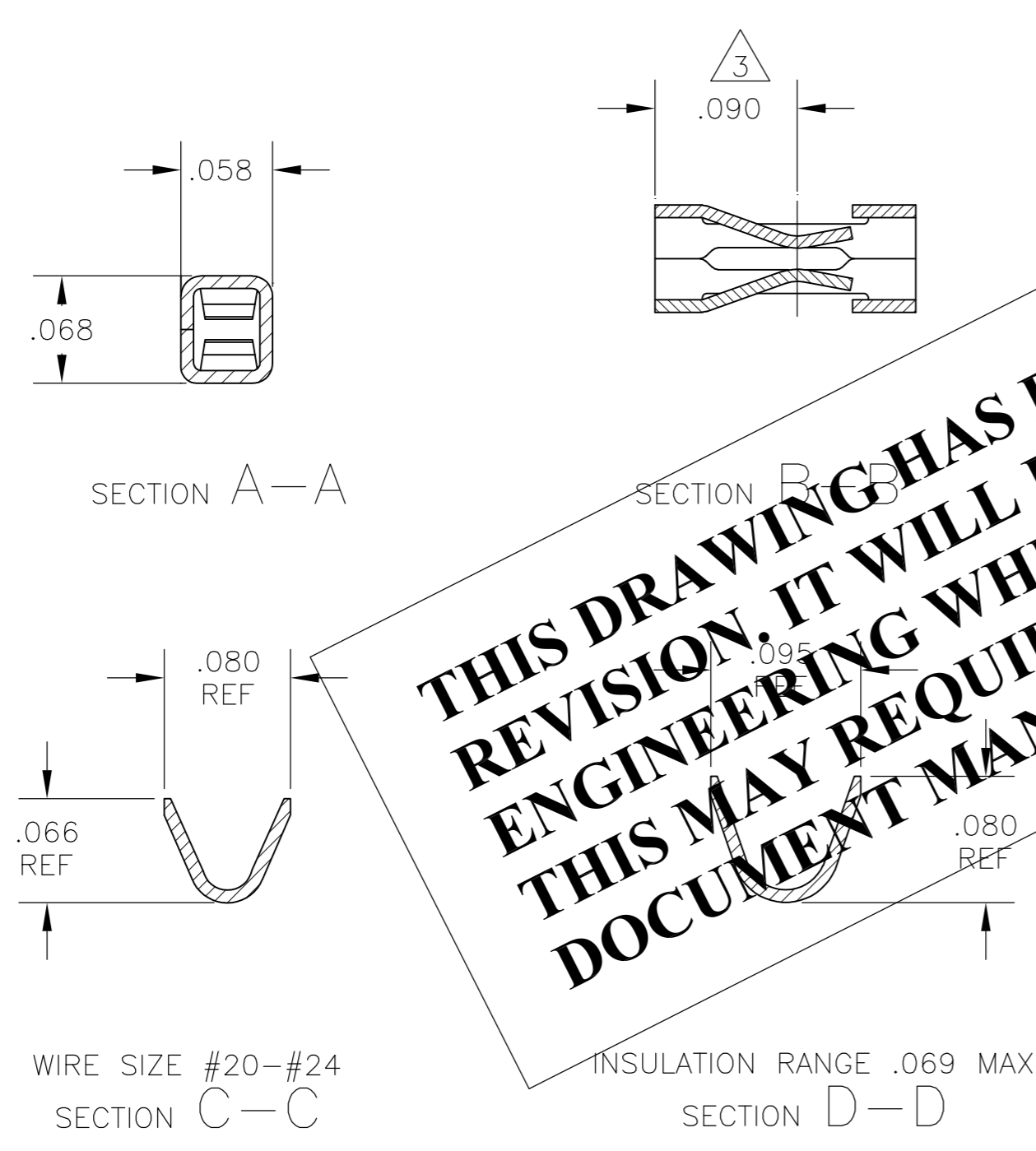


THIS DRAWING IS UNPUBLISHED. RELEASED FOR PUBLICATION  
 © COPYRIGHT - By - ALL RIGHTS RESERVED.

| LOC |     | DIST                      |  | REVISIONS |     |      |  |
|-----|-----|---------------------------|--|-----------|-----|------|--|
| P   | LTR | DESCRIPTION               |  | DATE      | DWN | APVD |  |
|     | L1  | REVISED PER ECO-11-004587 |  | 11MAR11   | RK  | HMR  |  |



- 1 PLATING IS NOT REQUIRED IN THIS AREA.
- 2 .006 MAX LOOSE PIECE CUT-OFF.
- 3 POINT OF MEASUREMENT FOR PLATING THICKNESS, INSIDE BEAMS
- 4 .000050-.000150 PREPLATED BRIGHT TIN.
- 5 .000030 GOLD IN CONTACT AREA, GOLD FLASH ON THE REMAINDER, ALL OVER .000050 NICKEL.
- 6 .000030 GOLD OVER .000050 NICKEL ENTIRE TERMINAL.
- 7 .000050 GOLD OVER .000050 NICKEL ENTIRE TERMINAL.
- 8 .000015 GOLD IN CONTACT AREA, GOLD FLASH ON THE REMAINDER, ALL OVER .000050 NICKEL.
- 9 SHEAR EDGE ARE PERMITTED TO BE UNPLATED.
- 10 .000015 GOLD IN CONTACT AREA, .000050 NICKEL ON ENTIRE TERMINAL.
- 11 OBSOLETE PART NUMBER.



**THIS DRAWING HAS BEEN TRANSLATED AND REFLECTS THE PREVIOUS REVISION. IT WILL REQUIRE A COMPLETE DRAWING CHECK BY PRODUCT ENGINEERING WHEN THE NEXT ECO CHANGE IS WRITTEN - THIS MAY REQUIRE A CHANGE TO THE REVISION OF THE DOCUMENT MANAGER FOLDER AND THIS DRAWING.**

|                         |                                 |                             |
|-------------------------|---------------------------------|-----------------------------|
| 2-87309-5               | <del>OBSOLETE</del>             | 2-87309-4                   |
| 2- -3                   | <del>OBSOLETE</del>             | 2- -1                       |
| 2- 11 -0                | 1- 11 -8                        | 1 11 -9                     |
| 1- 11 -7                | 11 -6                           | 1 11 -2                     |
| 1- 11 -6                | 11 -5                           | 1 11 -1                     |
| 1- 11 -5                | 11 -4                           | 1 11 -0                     |
| 1- -4                   | -3                              | -9                          |
| 1-87309-3               | 87309-2                         | 87309-8                     |
| LOOSE PIECE PART NUMBER | STANDARD APPLICATOR PART NUMBER | MINI APPLICATOR PART NUMBER |
|                         | FINISH                          |                             |

|  |  |                         |  |  |
|--|--|-------------------------|--|--|
| THIS DRAWING IS A CONTROLLED DOCUMENT. |  | DWN L D RINGLEY 28JAN85 | <b>STE</b> TE Connectivity                 |  |
| DIMENSIONS: INCHES                     |  | CHK R J DAVIS 30JAN85   |  |  |
| TOLERANCES UNLESS OTHERWISE SPECIFIED: |  | APVD R J DAVIS 30JAN85  | NAME CONTACT, MOD V CRIMP SNAP-IN          |  |
| 0 PLC ± -                              |  | PRODUCT SPEC            | SIZE A2 CAGE CODE 00779 DRAWING NO C=87309 |  |
| 1 PLC ± -                              |  | APPLICATION SPEC        | RESTRICTED TO                              |  |
| 2 PLC ± -                              |  |                         | SCALE 10:1 SHEET 1 OF 1 REV L1             |  |
| 3 PLC ± .005                           |  |                         |  |  |
| 4 PLC ± -                              |  |                         |  |  |
| ANGLES ± -                             |  |                         |  |  |
| FINISH SEE TABLE                       |  | WEIGHT -                |  |  |
| MATERIAL PHOS. BRONZE .008 THICK       |  | CUSTOMER DRAWING        |  |  |

## X-ON Electronics

Largest Supplier of Electrical and Electronic Components

*Click to view similar products for [Headers & Wire Housings](#) category:*

*Click to view products by [TE Connectivity](#) manufacturer:*

Other Similar products are found below :

[892-18-020-10-001101](#) [58102-G61-06LF](#) [582553-1](#) [0009485154](#) [009176003701906](#) [0050291907](#) [LY20-4P-DT1-P1E-BR](#) [02.125.8002.8](#)  
[609-3404](#) [61062-3](#) [61082-181009](#) [622-3653LF](#) [63453-116](#) [636-1030](#) [636-1427](#) [636-3427](#) [636-4007](#) [641938-9](#) [641991-4](#) [644827-2](#) [65817-](#)  
[010LF](#) [65817-015LF](#) [65863-015LF](#) [66207-023LF](#) [67095-007LF](#) [67601157](#) [68645-018](#) [68648-049](#) [70.362.1628.0](#) [70-4210](#) [70-4226B](#) [70-](#)  
[4853B](#) [707-5020](#) [707-5028](#) [71.350.2428.0](#) [71918-208LF](#) [71961-016LF](#) [733-134](#) [733-162](#) [754199-000](#) [760-3052](#) [787-8014-00](#) [79531-3000](#)  
[FCN-360C032-B](#) [FCN-367T-T012/H](#) [FCN-723D010/2](#) [80.063.4001.1](#) [800-90-001-10-001000](#) [800-90-010-10-002000](#) [801-43-002-10-013000](#)