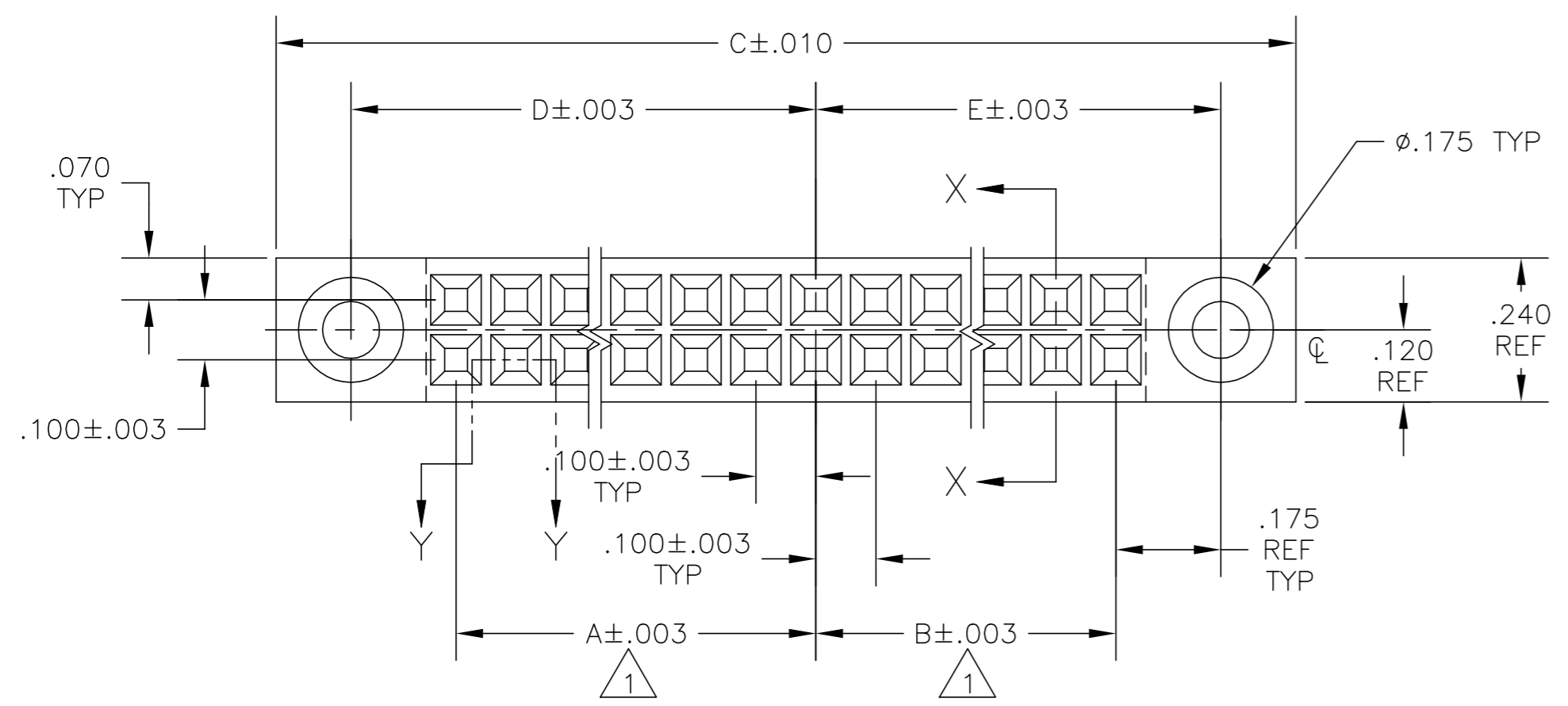
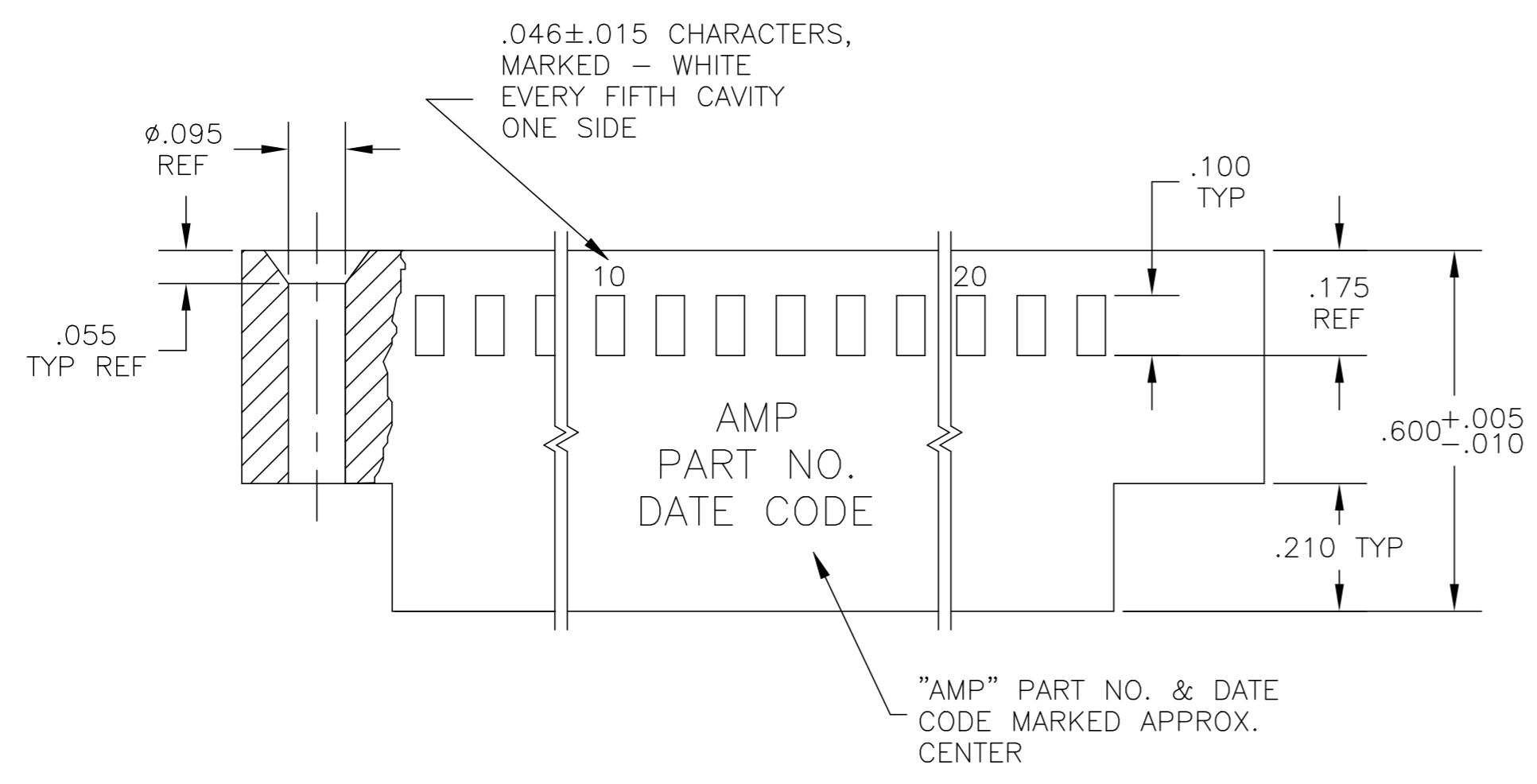


THIS DRAWING IS UNPUBLISHED.  
 RELEASED FOR PUBLICATION  
 © COPYRIGHT - By - ALL RIGHTS RESERVED.

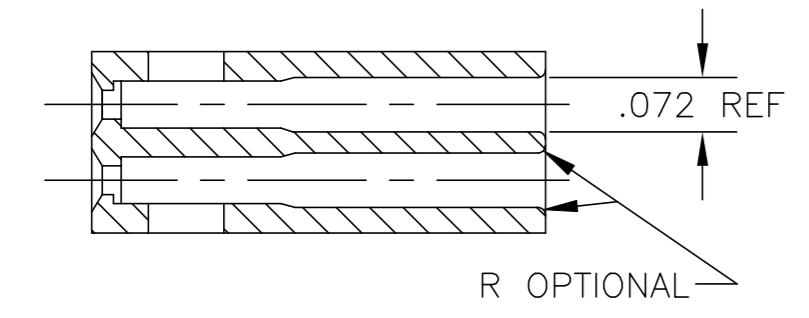
REVISIONS					
P	LTR	DESCRIPTION	DATE	DWN	APVD
V3		REVISED PER ECO-19-018707	18DEC2019	RS	JO
V4		REVISED PER ECO-20-001077	04MAR2020	SM	JO



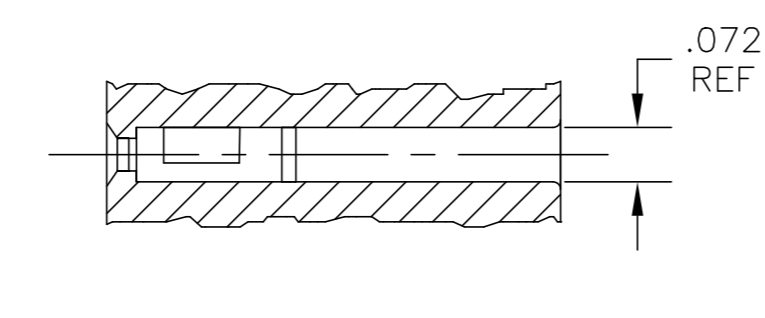
- 1 CAVITY LOCATION DIMENSIONS INCREASE IN INCREMENTS OF .100 TOLERANCE NONCUMULATIVE.
- 2 USE EXTRACTION TOOL NO. 91052-1 TO REMOVE RECP. CONTACTS.
- 3 OBSOLETE PART NUMBER.
- 4 SUPERSEDED BY 87483-9.
- 5 SUPERSEDED BY 1-87483-5.
- 6 OBSOLETE PARTS: OBSOLETE CIS STREAMLINING PER D.RENAUD/D.SINISI



"AMP" PART NO. & DATE CODE MARKED APPROX. CENTER



SECTION X-X



SECTION Y-Y ROTATED 90°

5-87483-4	1.675	1.775	3.700	1.500	1.600	64	5-87483-3
5-87483-2	1.575	1.575	3.400	1.400	1.400	58	5-87483-1
5-87483-0	1.475	1.575	3.300	1.300	1.400	56	4-87483-9
4-87483-8	1.375	1.375	3.000	1.200	1.200	50	4-87483-7
4-87483-6	1.275	1.375	2.900	1.100	1.200	48	4-87483-5
4-87483-4	1.275	1.275	2.800	1.100	1.100	46	4-87483-3
4-87483-2	1.175	1.175	2.600	1.000	1.000	42	4-87483-1
4-87483-0	1.075	1.075	2.400	.900	.900	38	3-87483-9
3-87483-8	.975	1.075	2.300	.800	.900	36	3-87483-7
3-87483-6	.975	.975	2.200	.800	.800	34	3-87483-5
3-87483-4	.875	.875	2.000	.700	.700	30	3-87483-3
3-87483-2	.775	.875	1.900	.600	.700	28	3-87483-1
3-87483-0	.675	.775	1.700	.500	.600	24	2-87483-9
2-87483-8	.675	.675	1.600	.500	.500	22	2-87483-7
2-87483-6	.575	.575	1.400	.400	.400	18	2-87483-5
2-87483-4	.475	.475	1.200	.300	.300	14	2-87483-3
2-87483-2	.375	.475	1.100	.200	.300	12	2-87483-1
2-87483-0	.375	.375	1.000	.200	.200	10	1-87483-9
1-87483-8	.275	.375	.900	.100	.200	8	1-87483-7
1-87483-6	.275	.275	.800	.100	.100	6	1-87483-5
1-87483-4	1.375	1.475	3.100	1.200	1.300	52	1-87483-3
1-87483-2	1.175	1.275	2.700	1.000	1.100	44	1-87483-1
1-87483-0	1.075	1.175	2.500	.900	1.000	40	87483-9
87483-8	.875	.975	2.100	.700	.800	32	87483-7
87483-6	.775	.775	1.800	.600	.600	26	87483-5
87483-4	.575	.675	1.500	.400	.500	20	87483-3
87483-2	.475	.575	1.300	.300	.400	16	87483-1
MARKED PART NUMBER	E	D	C	B	A	NO. OF POSN	UMMARKED PART NUMBER

THIS DRAWING IS A CONTROLLED DOCUMENT.

DWN R. SCHLAG 12-27-89  
 CHK P. SREMCIH 10-5-93  
 APVD P. SREMCIH 10-5-93

TE Connectivity

CONNECTOR, CRIMP SNAP-IN, MOD IV, DOUBLE ROW, .100 C/L, SHORT ENTRY

SIZE A2 CAGE CODE 00779 DRAWING NO C=87483 RESTRICTED TO -

MATERIAL GLASS FILLED NYLON COLOR-BLACK PER ASTM D4066 FINISH - WEIGHT - CUSTOMER DRAWING SCALE 4:1 SHEET 1 OF 1 REV V4

## X-ON Electronics

Largest Supplier of Electrical and Electronic Components

*Click to view similar products for [Headers & Wire Housings](#) category:*

*Click to view products by [TE Connectivity](#) manufacturer:*

Other Similar products are found below :

[892-18-020-10-001101](#) [58102-G61-06LF](#) [582553-1](#) [0009485154](#) [009176003701906](#) [0050291907](#) [LY20-4P-DT1-P1E-BR](#) [02.125.8002.8](#)  
[609-3404](#) [61062-3](#) [61082-181009](#) [622-3653LF](#) [63453-116](#) [636-1030](#) [636-1427](#) [636-3427](#) [636-4007](#) [641938-9](#) [641991-4](#) [644827-2](#) [65817-010LF](#) [65817-015LF](#) [65863-015LF](#) [66207-023LF](#) [67095-007LF](#) [67601157](#) [68645-018](#) [68648-049](#) [70.362.1628.0](#) [70-4210](#) [70-4226B](#) [70-4853B](#) [707-5020](#) [707-5028](#) [71.350.2428.0](#) [71918-208LF](#) [71961-016LF](#) [733-134](#) [733-162](#) [754199-000](#) [760-3052](#) [787-8014-00](#) [79531-3000](#)  
[FCN-360C032-B](#) [FCN-367T-T012/H](#) [FCN-723D010/2](#) [80.063.4001.1](#) [800-90-001-10-001000](#) [800-90-010-10-002000](#) [801-43-002-10-013000](#)