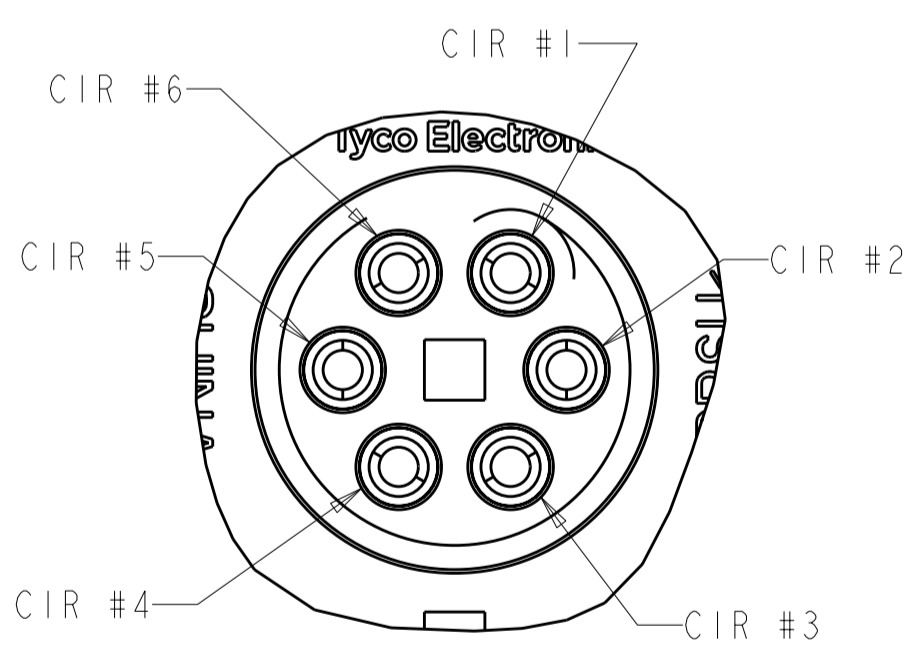
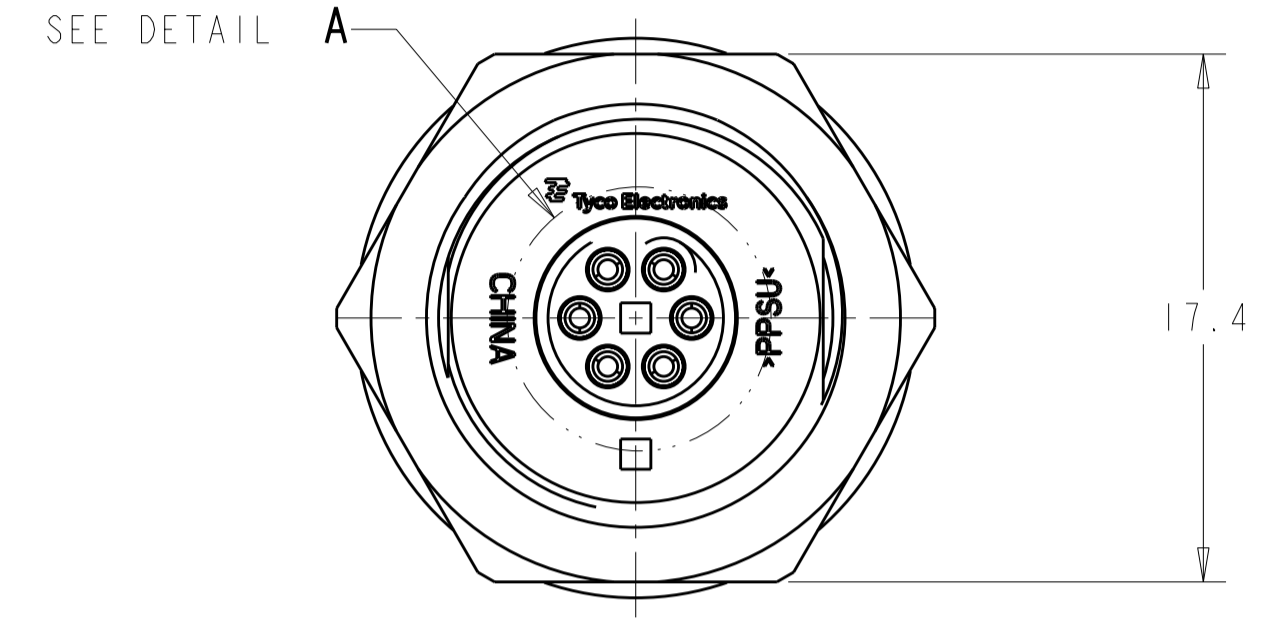
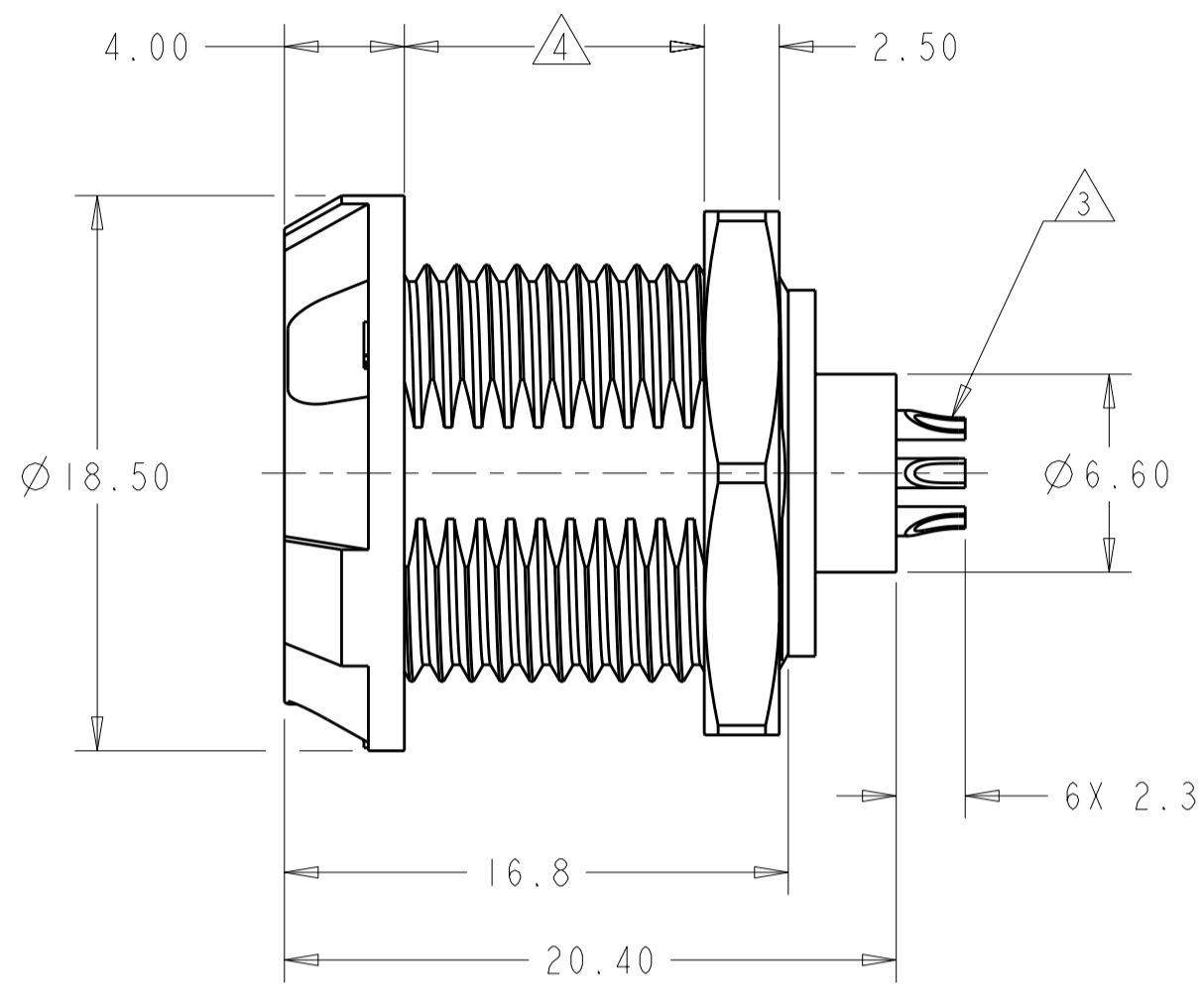


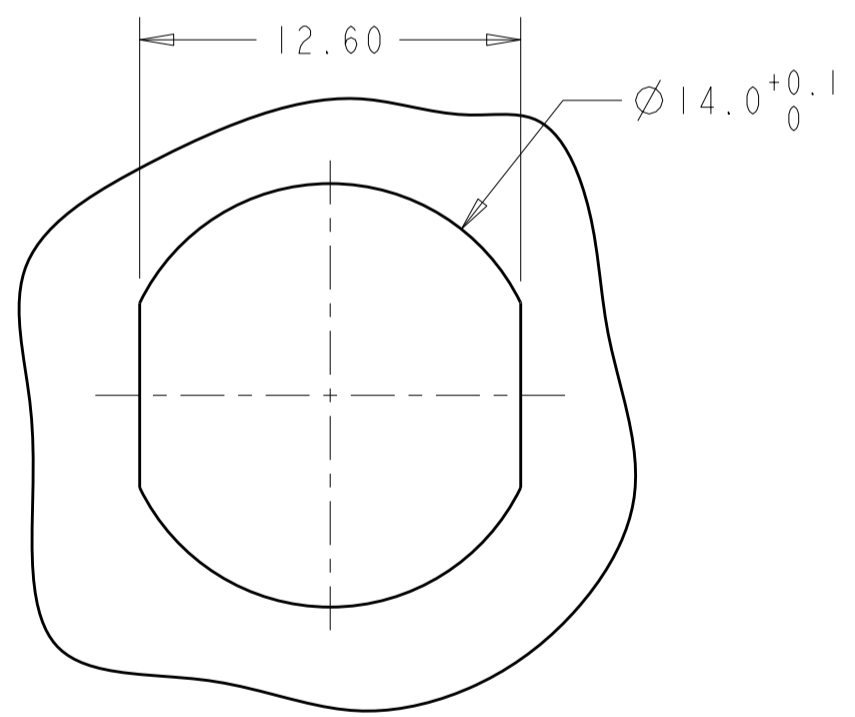
THIS DRAWING IS UNPUBLISHED. RELEASED FOR PUBLICATION 20
 © COPYRIGHT 20 BY - ALL RIGHTS RESERVED.

| LOC | DIST | REVISIONS | | | |
|-----|------|---------------------------|-----------|-----|------|
| P | LTR | DESCRIPTION | DATE | DWN | APVD |
| AD | 00 | | | | |
| | C3 | REVISED PER ECO-11-005027 | 12MAR2011 | RK | HMR |

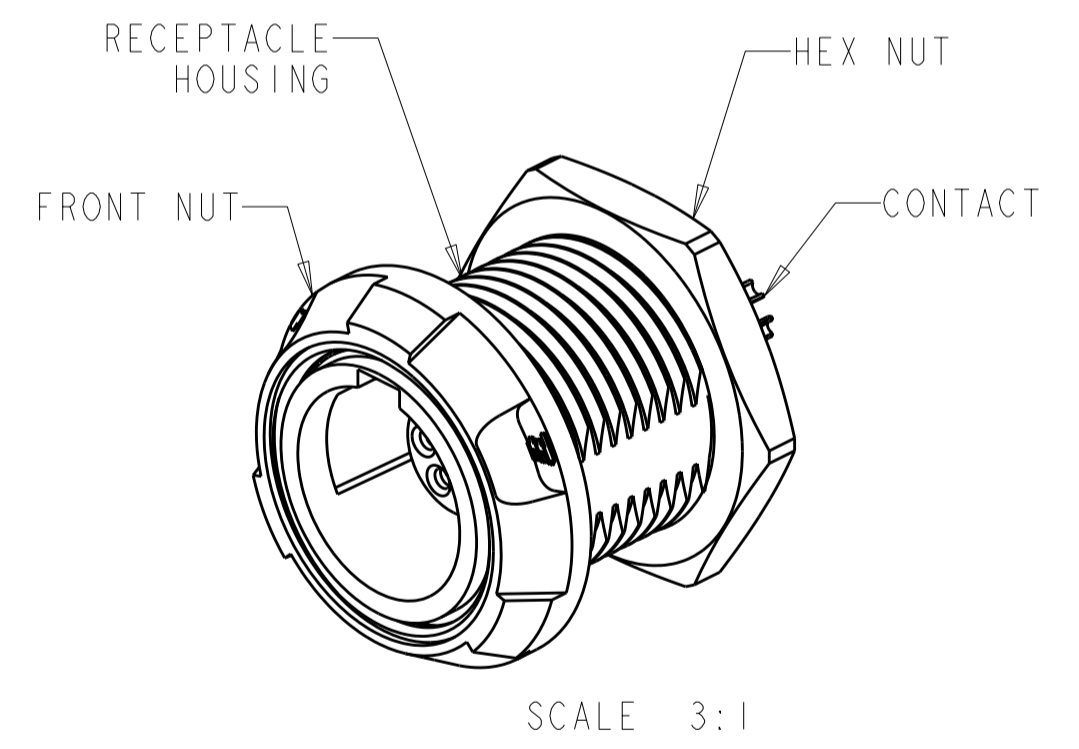
- 1 MATERIAL:
RECEPTACLE HOUSING, UL 94V-0 RATED THERMOPLASTIC, COLOR:SEE TABLE
CONTACT, PHOSPHOR BRONZE
FRONT NUT, UL 94V-0 RATED THERMOPLASTIC, COLOR:SEE TABLE
HEX NUT, BRASS
- 2 FINISH:
CONTACT, 0.75µm MIN. GOLD OVER NICKEL
HEX NUT, NICKEL
- 3 SOLDER TERMINATION CONTACT, 26 AWG WIRE MAX.
- 4 10.0 MAXIMUM PANEL THICKNESS
- 5. INSTALLS FROM FRONT OR REAR OF PANEL
- 6. INGRESS PROTECTION: IP50 (MATED)
- 7 PRELIMINARY PART NUMBER.



DETAIL A
CIRCUIT DESIGNATION VIEW
SCALE 8:1



SUGGESTED
PANEL CUTOUT
SCALE 4:1



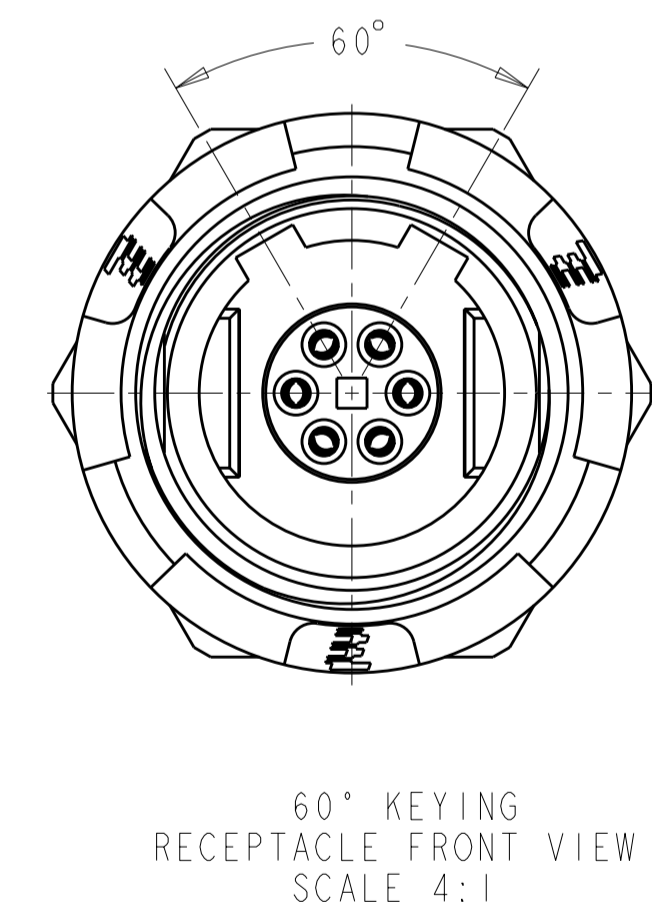
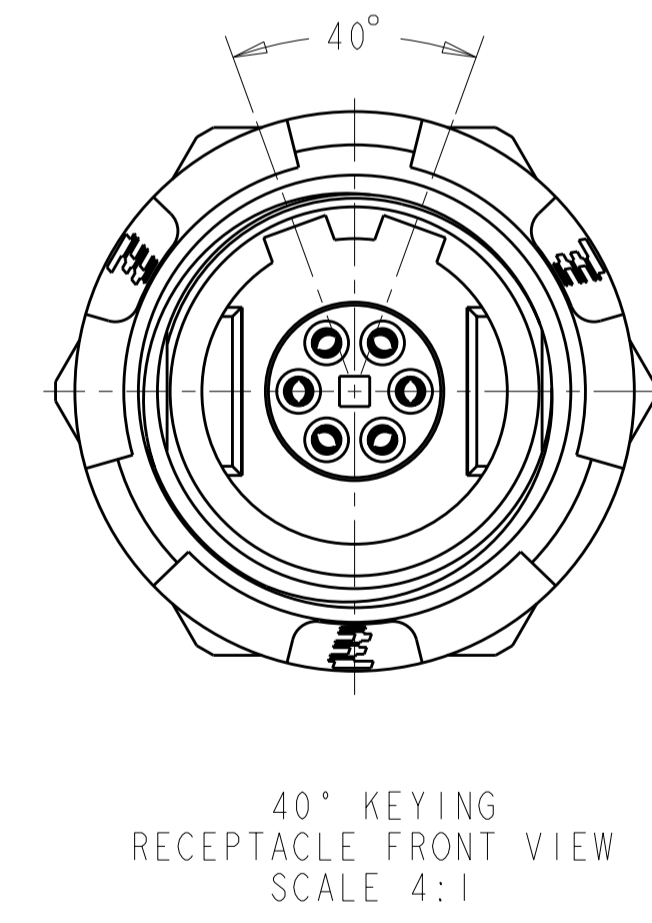
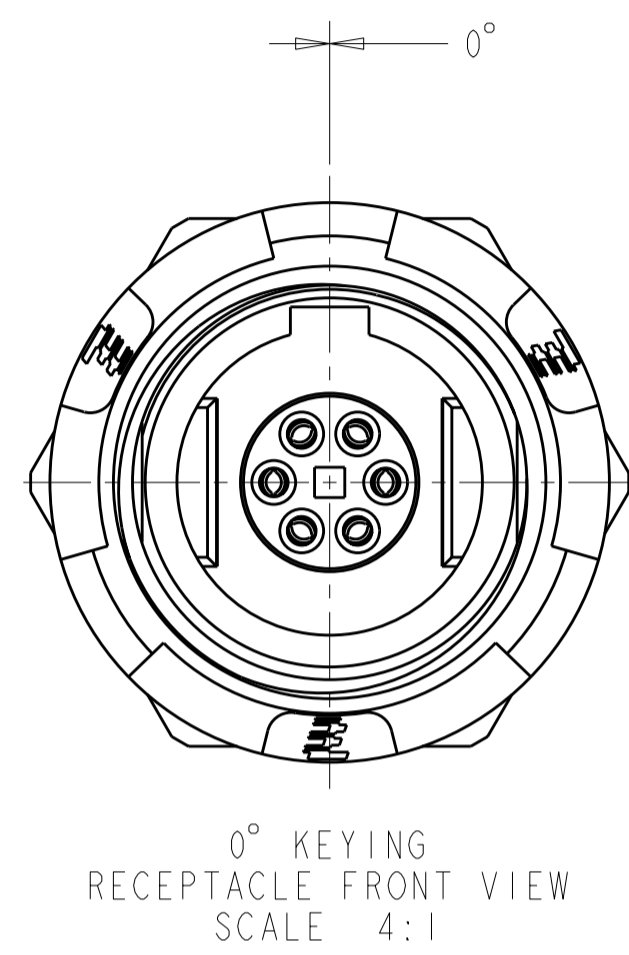
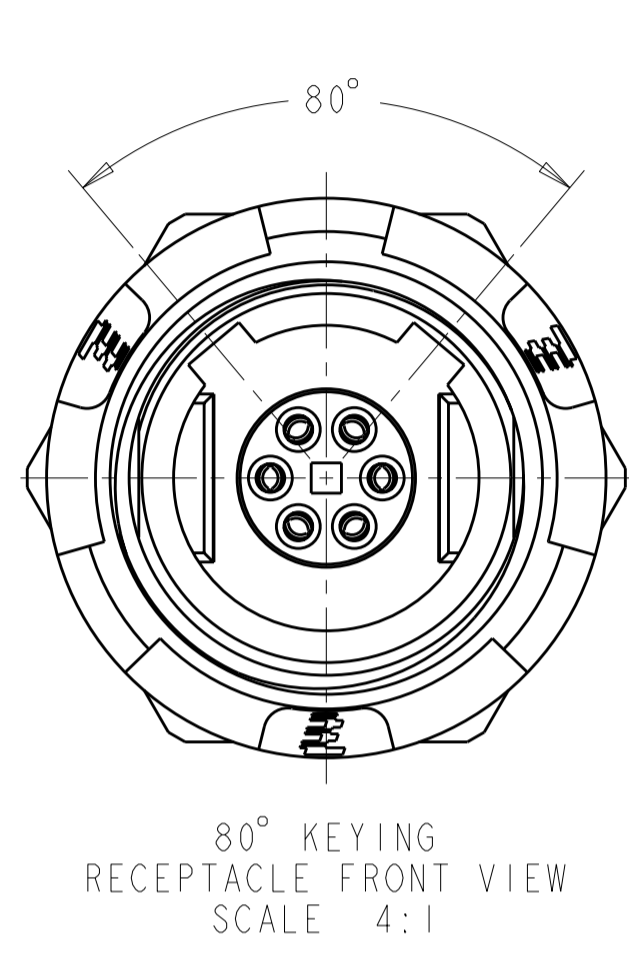
| | | | | |
|--|--|--|-----------------|--|
| THIS DRAWING IS A CONTROLLED DOCUMENT. | | DWN R.L. KOLLER 21 JUN 2005 | TE Connectivity | |
| | | CHK L. BREKOSKY 28 JUN 2005 | | |
| DIMENSIONS: mm | | TOLERANCES UNLESS OTHERWISE SPECIFIED: | | NAME RECEPTACLE ASSEMBLY PANEL MOUNT 6 POSITION |
| | | 0 PLC ±- | 1 PLC ±0.2 | PRODUCT SPEC 108-2249 |
| | | 2 PLC ±0.08 | 3 PLC ±- | APPLICATION SPEC 114-13184 |
| | | 4 PLC ±- | ANGLES ±1° | WEIGHT - |
| MATERIAL 1 | | FINISH 2 | | SIZE A2 |
| | | CUSTOMER DRAWING | | CAGE CODE 00779 |
| | | SCALE 5:1 | | DRAWING NO 1877067 |
| | | SHEET 1 OF 2 | | RESTRICTED TO - |
| | | REV C3 | | |

THIS DRAWING IS UNPUBLISHED. RELEASED FOR PUBLICATION 20
 © COPYRIGHT 20 BY - ALL RIGHTS RESERVED.

| LOC | DIST | REVISIONS | | | | |
|-----|------|-------------|------|-----|------|--|
| P | LTR | DESCRIPTION | DATE | DWN | APVD | |
| AD | 00 | SEE SHEET 1 | | | | |

| KEYING | FRONT NUT COLOR | HOUSING COLOR | PART NUMBER |
|--------|-----------------|---------------|-------------|
| 40° | BLUE | BLACK | 4-1877067-2 |
| | BLUE | GRAY | 4-1877067-1 |
| 40° | GREEN | BLACK | 4-1877067-0 |
| | GREEN | GRAY | 3-1877067-9 |
| 40° | YELLOW | BLACK | 3-1877067-8 |
| | YELLOW | GRAY | 3-1877067-7 |
| 40° | WHITE | BLACK | 3-1877067-6 |
| | WHITE | GRAY | 3-1877067-5 |
| 40° | RED | BLACK | 3-1877067-4 |
| | RED | GRAY | 3-1877067-3 |
| 40° | BLACK | BLACK | 3-1877067-2 |
| | BLACK | GRAY | 3-1877067-1 |
| 40° | GRAY | BLACK | 3-1877067-0 |
| | GRAY | GRAY | 2-1877067-9 |
| 80° | BLACK | GRAY | 2-1877067-8 |
| | GRAY | BLACK | 2-1877067-7 |
| 0° | BLACK | GRAY | 2-1877067-6 |
| | GRAY | BLACK | 2-1877067-5 |
| 80° | BLUE | BLACK | 2-1877067-4 |
| | BLUE | GRAY | 2-1877067-3 |
| 0° | BLUE | BLACK | 2-1877067-2 |
| | BLUE | GRAY | 2-1877067-1 |
| 80° | GREEN | BLACK | 2-1877067-0 |
| | GREEN | GRAY | 1-1877067-9 |
| 0° | GREEN | BLACK | 1-1877067-8 |
| | GREEN | GRAY | 1-1877067-7 |
| 80° | YELLOW | BLACK | 1-1877067-6 |
| | YELLOW | GRAY | 1-1877067-5 |
| 0° | YELLOW | BLACK | 1-1877067-4 |
| | YELLOW | GRAY | 1-1877067-3 |
| 80° | WHITE | BLACK | 1-1877067-2 |
| | WHITE | GRAY | 1-1877067-1 |
| 0° | WHITE | BLACK | 1-1877067-0 |
| | WHITE | GRAY | 1877067-9 |
| 80° | RED | BLACK | 1877067-8 |
| | RED | GRAY | 1877067-7 |
| 0° | RED | BLACK | 1877067-6 |
| | RED | GRAY | 1877067-5 |
| 80° | BLACK | BLACK | 1877067-4 |
| | GRAY | GRAY | 1877067-3 |
| 0° | BLACK | BLACK | 1877067-2 |
| | GRAY | GRAY | 1877067-1 |

| | | | | |
|-----|--------|-------|-------------|---|
| 60° | BLUE | BLACK | 5-1877067-6 | 7 |
| | BLUE | GRAY | 5-1877067-5 | 7 |
| 60° | GREEN | BLACK | 5-1877067-4 | 7 |
| | GREEN | GRAY | 5-1877067-3 | 7 |
| 60° | YELLOW | BLACK | 5-1877067-2 | 7 |
| | YELLOW | GRAY | 5-1877067-1 | 7 |
| 60° | WHITE | BLACK | 5-1877067-0 | 7 |
| | WHITE | GRAY | 4-1877067-9 | 7 |
| 60° | RED | BLACK | 4-1877067-8 | 7 |
| | RED | GRAY | 4-1877067-7 | 7 |
| 60° | BLACK | BLACK | 4-1877067-6 | 7 |
| | BLACK | GRAY | 4-1877067-5 | 7 |
| 60° | GRAY | BLACK | 4-1877067-4 | 7 |
| | GRAY | GRAY | 4-1877067-3 | 7 |



| | | | | |
|--|--|-----------------------------------|--|--------------------|
| THIS DRAWING IS A CONTROLLED DOCUMENT. | | DWN R.L. KOLLER 21 JUN 2005 | TE Connectivity | |
| | | CHK L. BREKOSKY 28 JUN 2005 | | |
| DIMENSIONS: | TOLERANCES UNLESS OTHERWISE SPECIFIED: | APVD - | NAME RECEPTACLE ASSEMBLY PANEL MOUNT 6 POSITION | |
| mm | 0 PLC ± 1 PLC ±0.2 2 PLC ±0.08 3 PLC ± 4 PLC ± | PRODUCT SPEC 108-2249 | SIZE A2 | CAGE CODE 00779 |
| MATERIAL | ANGLES ±1° FINISH | APPLICATION SPEC 114-13184 | DRAWING NO C-1877067 | RESTRICTED TO - |
| | | WEIGHT - | SCALE 5:1 SHEET 2 OF 2 REV C.3 | |
| CUSTOMER DRAWING | | | | |

X-ON Electronics

Largest Supplier of Electrical and Electronic Components

Click to view similar products for [Standard Circular Connector](#) category:

Click to view products by [TE Connectivity](#) manufacturer:

Other Similar products are found below :

[5M2530B10P](#) [600259N006](#) [600273N007](#) [6134-336-13149](#) [6134-337-11149](#) [6134-337-2390](#) [6134-341-17149](#) [6280-4SG-516](#) [6280-7SG-3DC](#)
[6290](#) [6291A](#) [66200A-10](#) [680-SMG](#) [681-PMG](#) [CXS3102A14S2P](#) [CXS3102A181S](#) [7271-6SG-300](#) [7282-3PG-300-CH3](#) [75-474618-01S](#) [75-](#)
[474618-04P](#) [75-474618-04S](#) [799539-000](#) [MI8-SE](#) [805-005-07NF11-19PC](#) [805-005-07NF15-7PA](#) [8280-4PG-516](#) [8280-7PG-519](#) [8282-5PG-](#)
[519](#) [836783-1](#) [MP-4102-25P-C](#) [862256-1](#) [864019-2](#) [866857-1](#) [867865-1](#) [PT01SP-14-18P](#) [PT08P-14-5S](#) [120-1833-000](#)
[QCM019PC2DC012B](#) [1-2069279-1](#) [121583-0217](#) [121667-0020](#) [129591AU](#) [1000B BULK](#) [RD10A16-19-P6CS051/1](#) [RD10A20-31-](#)
[P8CS051/1](#) [RD16A14-12-S6CS051/2](#) [1301240290](#) [1301240347](#) [1301860202](#) [1301240268](#) [1301240275](#)