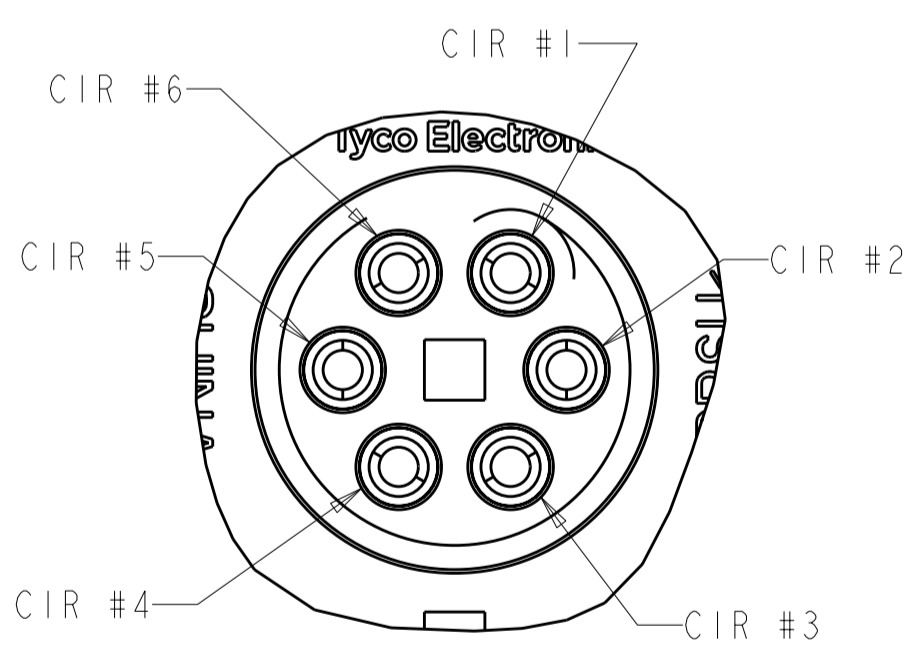
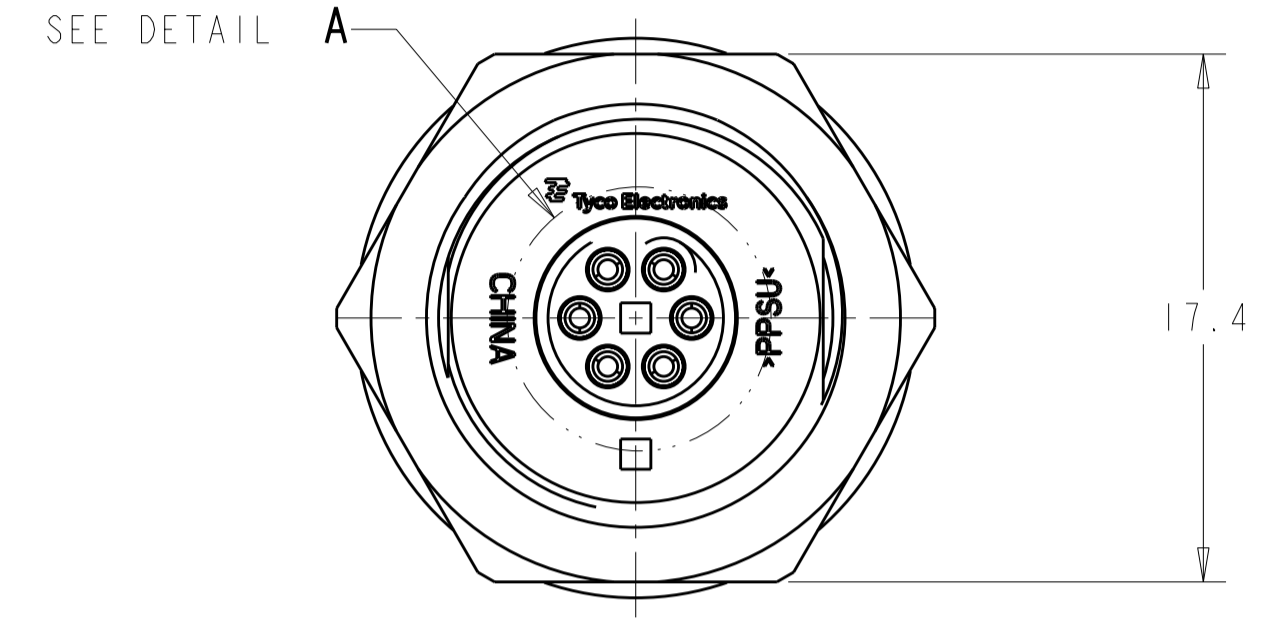
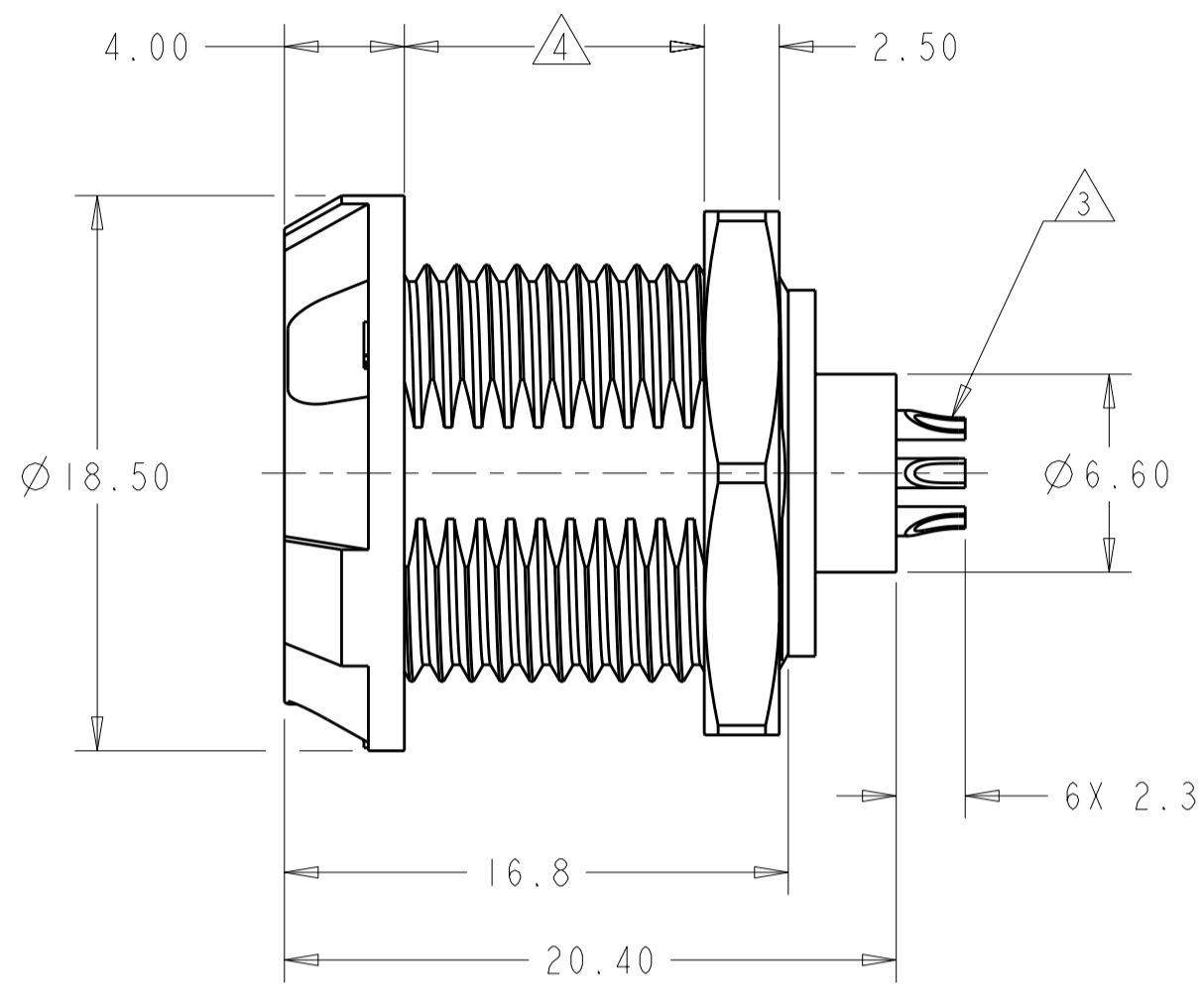


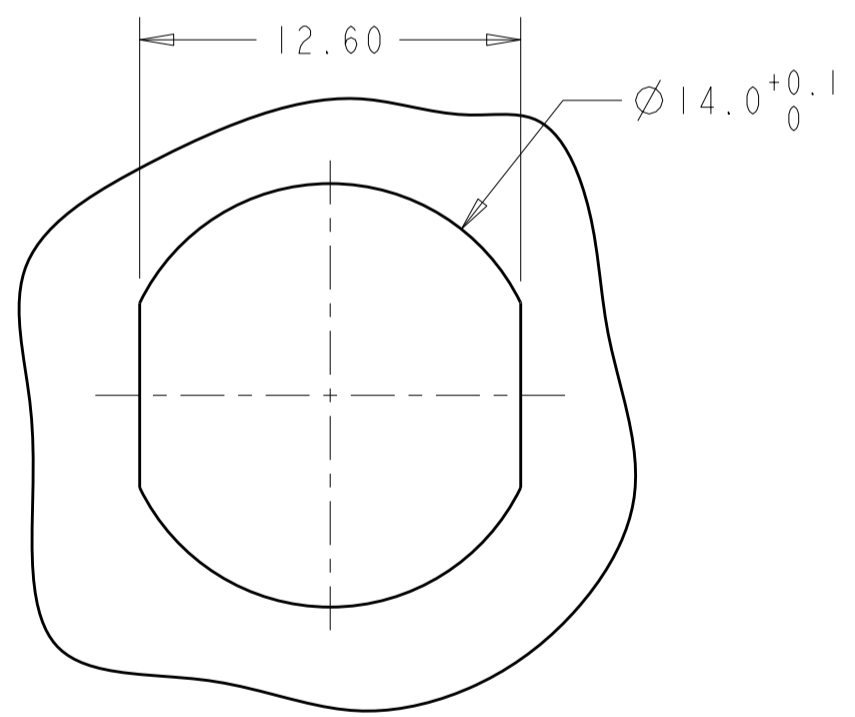
THIS DRAWING IS UNPUBLISHED. RELEASED FOR PUBLICATION 20
 © COPYRIGHT 20 BY - ALL RIGHTS RESERVED.

LOC	DIST	REVISIONS			
P	LTR	DESCRIPTION	DATE	DWN	APVD
AD	00				
	C3	REVISED PER ECO-11-005027	12MAR2011	RK	HMR

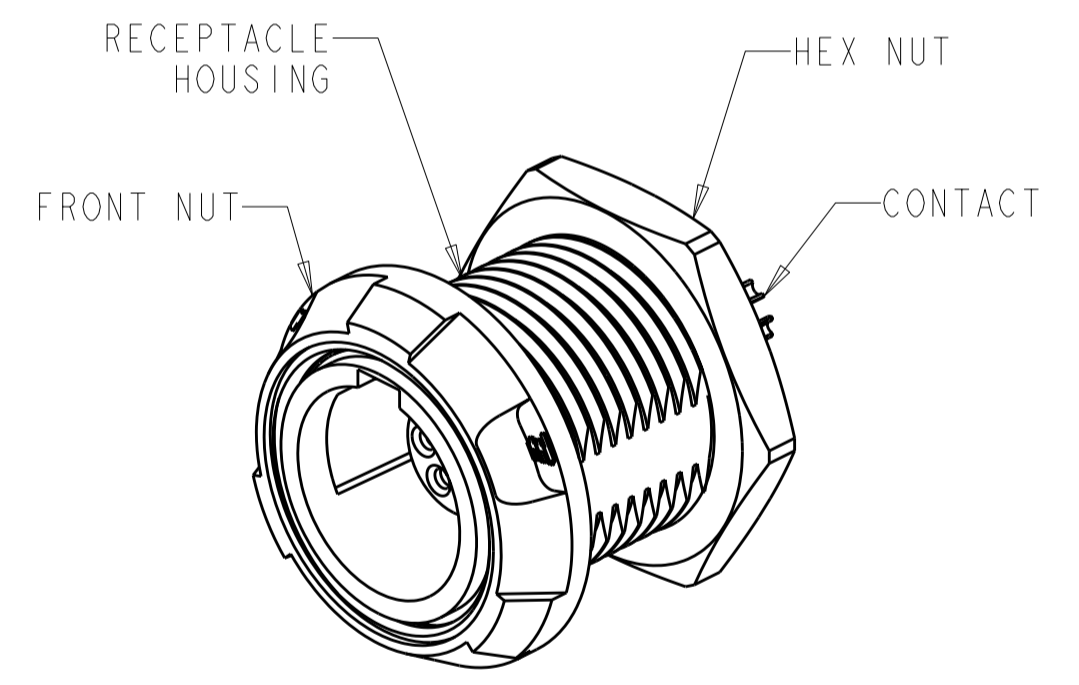
- 1 MATERIAL:
RECEPTACLE HOUSING, UL 94V-0 RATED THERMOPLASTIC, COLOR:SEE TABLE
CONTACT, PHOSPHOR BRONZE
FRONT NUT, UL 94V-0 RATED THERMOPLASTIC, COLOR:SEE TABLE
HEX NUT, BRASS
- 2 FINISH:
CONTACT, 0.75µm MIN. GOLD OVER NICKEL
HEX NUT, NICKEL
- 3 SOLDER TERMINATION CONTACT, 26 AWG WIRE MAX.
- 4 10.0 MAXIMUM PANEL THICKNESS
- 5. INSTALLS FROM FRONT OR REAR OF PANEL
- 6. INGRESS PROTECTION: IP50 (MATED)
- 7 PRELIMINARY PART NUMBER.



DETAIL A
CIRCUIT DESIGNATION VIEW
SCALE 8:1



SUGGESTED
PANEL CUTOUT
SCALE 4:1



SCALE 3:1

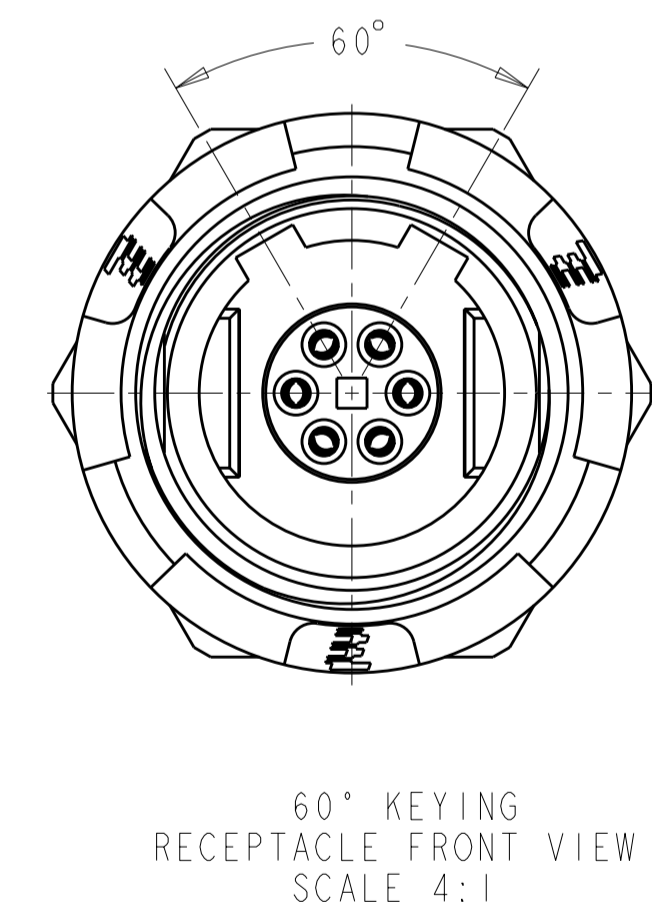
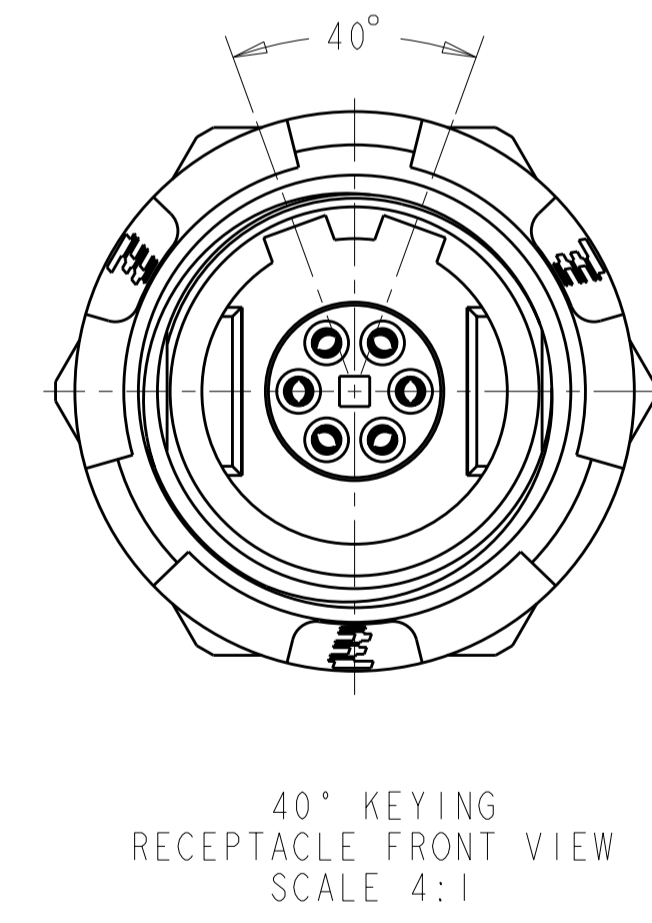
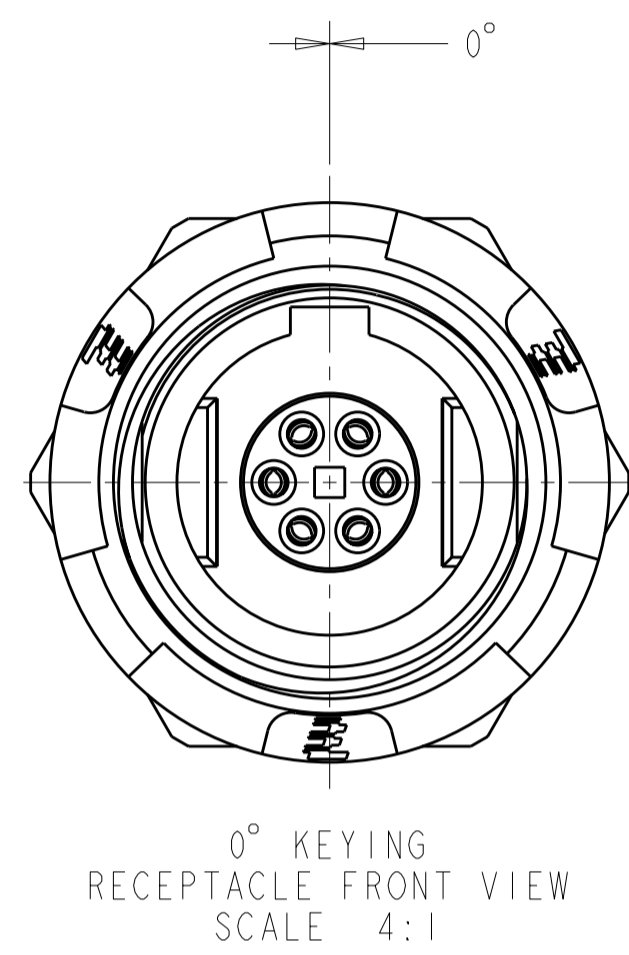
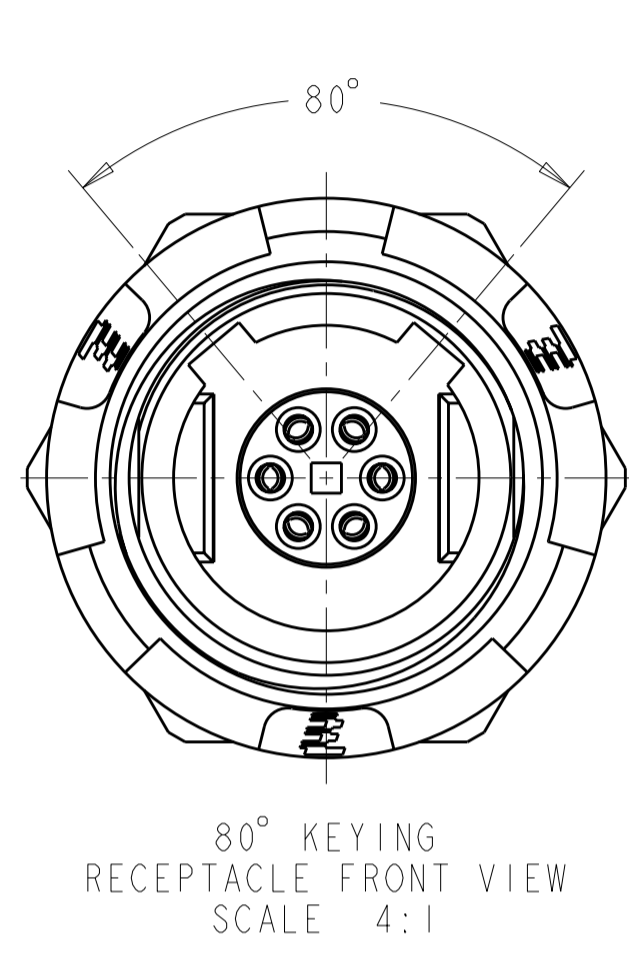
THIS DRAWING IS A CONTROLLED DOCUMENT.		DWN R.L. KOLLER 21 JUN 2005	TE Connectivity	
		CHK L. BREKOSKY 28 JUN 2005		
DIMENSIONS: mm		TOLERANCES UNLESS OTHERWISE SPECIFIED:		NAME RECEPTACLE ASSEMBLY PANEL MOUNT 6 POSITION
		0 PLC ±-	1 PLC ±0.2	PRODUCT SPEC 108-2249
		2 PLC ±0.08	3 PLC ±-	APPLICATION SPEC 114-13184
		4 PLC ±-	ANGLES ±1°	SIZE A2
MATERIAL 1		FINISH 2	WEIGHT -	CAGE CODE 00779
				DRAWING NO 1877067
				RESTRICTED TO -
				SCALE 5:1 SHEET 1 OF 2 REV C3

THIS DRAWING IS UNPUBLISHED. RELEASED FOR PUBLICATION 20
 © COPYRIGHT 20 BY - ALL RIGHTS RESERVED.

LOC	DIST	REVISIONS				
P	LTR	DESCRIPTION	DATE	DWN	APVD	
AD	00	SEE SHEET 1				

KEYING	FRONT NUT COLOR	HOUSING COLOR	PART NUMBER
40°	BLUE	BLACK	4-1877067-2
40°	BLUE	GRAY	4-1877067-1
40°	GREEN	BLACK	4-1877067-0
40°	GREEN	GRAY	3-1877067-9
40°	YELLOW	BLACK	3-1877067-8
40°	YELLOW	GRAY	3-1877067-7
40°	WHITE	BLACK	3-1877067-6
40°	WHITE	GRAY	3-1877067-5
40°	RED	BLACK	3-1877067-4
40°	RED	GRAY	3-1877067-3
40°	BLACK	BLACK	3-1877067-2
40°	BLACK	GRAY	3-1877067-1
40°	GRAY	BLACK	3-1877067-0
40°	GRAY	GRAY	2-1877067-9
80°	BLACK	GRAY	2-1877067-8
80°	GRAY	BLACK	2-1877067-7
0°	BLACK	GRAY	2-1877067-6
0°	GRAY	BLACK	2-1877067-5
80°	BLUE	BLACK	2-1877067-4
80°	BLUE	GRAY	2-1877067-3
0°	BLUE	BLACK	2-1877067-2
0°	BLUE	GRAY	2-1877067-1
80°	GREEN	BLACK	2-1877067-0
80°	GREEN	GRAY	1-1877067-9
0°	GREEN	BLACK	1-1877067-8
0°	GREEN	GRAY	1-1877067-7
80°	YELLOW	BLACK	1-1877067-6
80°	YELLOW	GRAY	1-1877067-5
0°	YELLOW	BLACK	1-1877067-4
0°	YELLOW	GRAY	1-1877067-3
80°	WHITE	BLACK	1-1877067-2
80°	WHITE	GRAY	1-1877067-1
0°	WHITE	BLACK	1-1877067-0
0°	WHITE	GRAY	1877067-9
80°	RED	BLACK	1877067-8
80°	RED	GRAY	1877067-7
0°	RED	BLACK	1877067-6
0°	RED	GRAY	1877067-5
80°	BLACK	BLACK	1877067-4
80°	GRAY	GRAY	1877067-3
0°	BLACK	BLACK	1877067-2
0°	GRAY	GRAY	1877067-1

60°	BLUE	BLACK	5-1877067-6	7
60°	BLUE	GRAY	5-1877067-5	7
60°	GREEN	BLACK	5-1877067-4	7
60°	GREEN	GRAY	5-1877067-3	7
60°	YELLOW	BLACK	5-1877067-2	7
60°	YELLOW	GRAY	5-1877067-1	7
60°	WHITE	BLACK	5-1877067-0	7
60°	WHITE	GRAY	4-1877067-9	7
60°	RED	BLACK	4-1877067-8	7
60°	RED	GRAY	4-1877067-7	7
60°	BLACK	BLACK	4-1877067-6	7
60°	BLACK	GRAY	4-1877067-5	7
60°	GRAY	BLACK	4-1877067-4	7
60°	GRAY	GRAY	4-1877067-3	7



THIS DRAWING IS A CONTROLLED DOCUMENT.		DWN R.L. KOLLER 21 JUN 2005	TE Connectivity	
		CHK L. BREKOSKY 28 JUN 2005		
DIMENSIONS:	TOLERANCES UNLESS OTHERWISE SPECIFIED:	APVD -	NAME RECEPTACLE ASSEMBLY PANEL MOUNT 6 POSITION	
mm	0 PLC ± 1 PLC ±0.2 2 PLC ±0.08 3 PLC ± 4 PLC ±	PRODUCT SPEC 108-2249	SIZE A2	
MATERIAL	ANGLES ±1° FINISH	APPLICATION SPEC 114-13184	CAGE CODE 00779	DRAWING NO 1877067
		WEIGHT -	RESTRICTED TO -	
		CUSTOMER DRAWING	SCALE 5:1	SHEET 2 OF 2
			REV C.3	

X-ON Electronics

Largest Supplier of Electrical and Electronic Components

Click to view similar products for [Standard Circular Connector](#) category:

Click to view products by [TE Connectivity](#) manufacturer:

Other Similar products are found below :

[5M2530B10P](#) [600259N006](#) [600273N007](#) [6134-336-13149](#) [6134-337-11149](#) [6134-337-2390](#) [6134-341-17149](#) [6280-4SG-516](#) [6280-7SG-3DC](#)
[6290](#) [6291A](#) [66200A-10](#) [680-SMG](#) [681-PMG](#) [CXS3102A14S2P](#) [CXS3102A181S](#) [7251-5SG-300](#) [7271-6SG-300](#) [7282-3PG-300-CH3](#) [75-](#)
[474618-01S](#) [75-474618-04P](#) [75-474618-04S](#) [799539-000](#) [MI8-SE](#) [805-005-07NF11-19PC](#) [805-005-07NF15-7PA](#) [8280-4PG-516](#) [8280-7PG-](#)
[519](#) [8282-5PG-519](#) [836783-1](#) [MP-4102-25P-C](#) [862256-1](#) [864019-2](#) [866857-1](#) [867865-1](#) [PT01SP-14-18P](#) [PT08P-14-5S](#) [PTSF06SE-14-12S](#)
[120-1833-000](#) [QCM019PC2DC012B](#) [1-2069279-1](#) [121583-0217](#) [121667-0020](#) [129591AU](#) [1000B BULK](#) [RD10A16-19-P6CS051/1](#)
[RD10A20-31-P8CS051/1](#) [RD16A14-12-S6CS051/2](#) [1301240290](#) [1301240347](#) [1301860202](#)