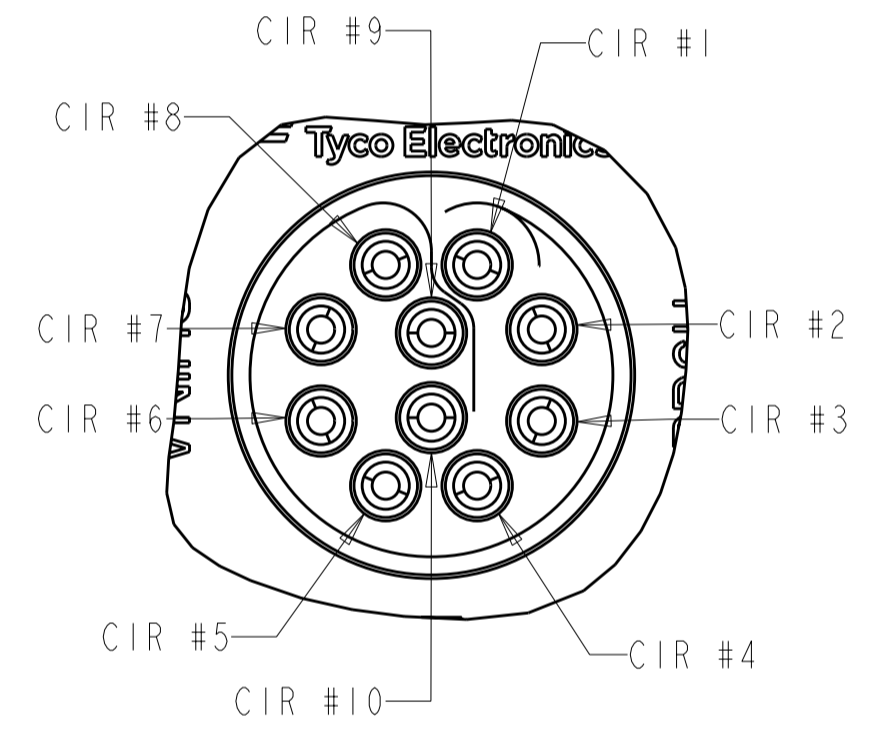


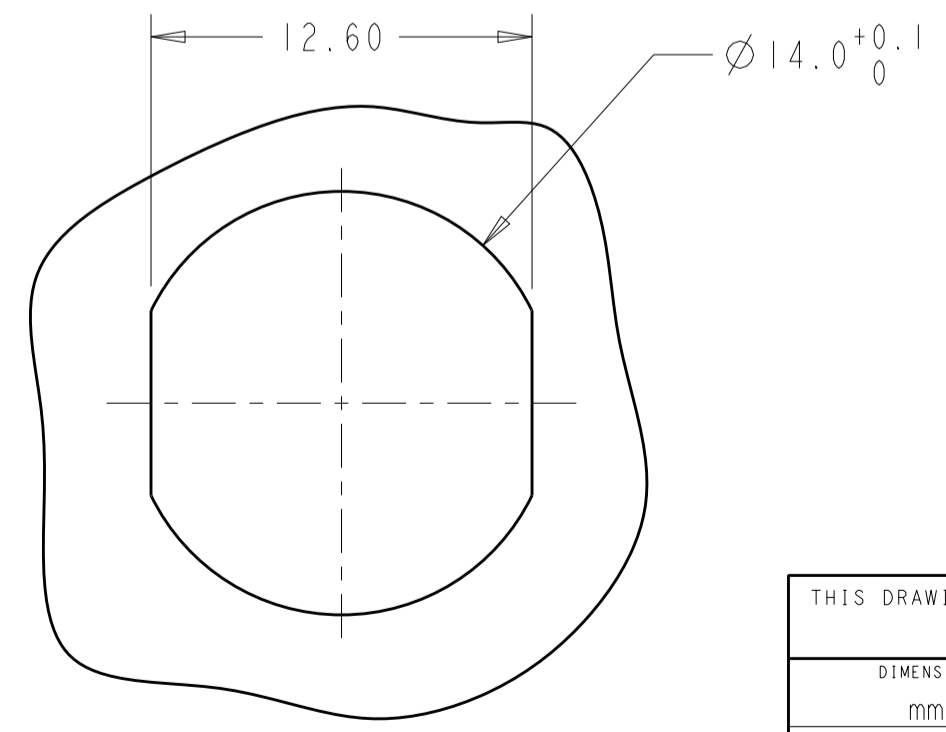
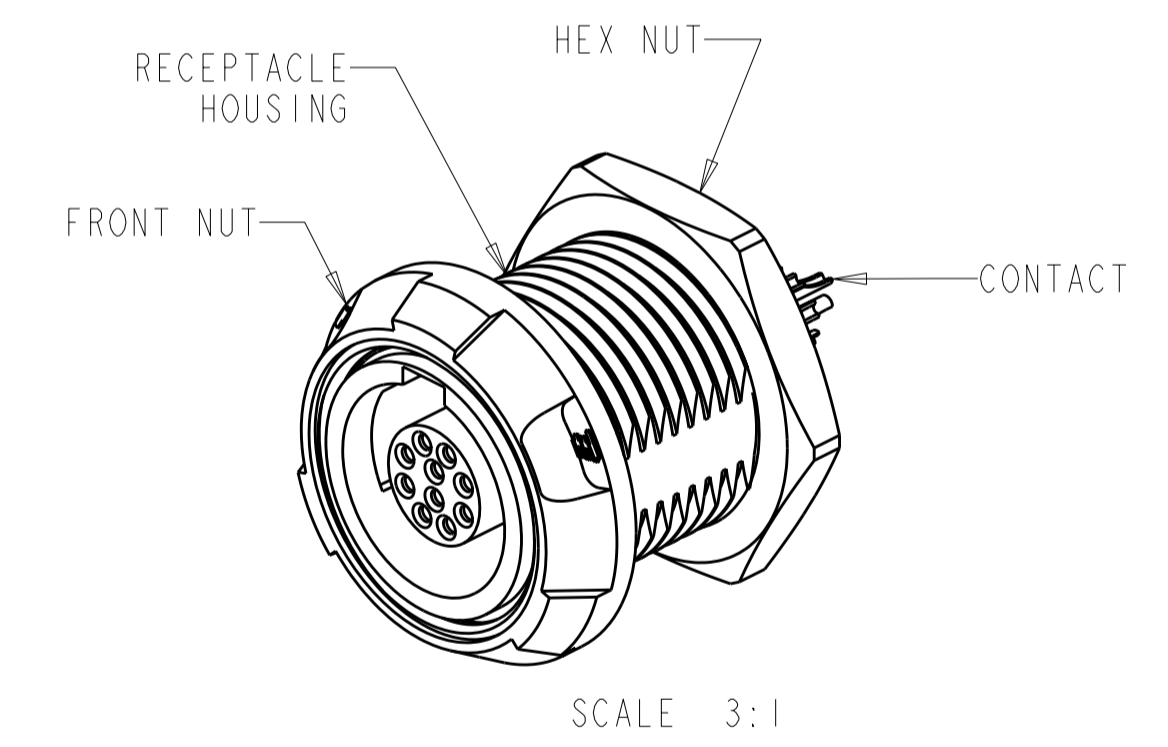
THIS DRAWING IS UNPUBLISHED. RELEASED FOR PUBLICATION 20
 © COPYRIGHT 20 BY - ALL RIGHTS RESERVED.

LOC	DIST	REVISIONS			
P	LTR	DESCRIPTION	DATE	DWN	APVD
AD	00	B3	REVISED PER ECO-11-005027	12MAR2011	RK HMR

- 1 MATERIAL:
RECEPTACLE HOUSING, UL 94V-0 RATED THERMOPLASTIC, COLOR:SEE TABLE
CONTACT, PHOSPHOR BRONZE
FRONT NUT, UL 94V-0 RATED THERMOPLASTIC, COLOR:SEE TABLE
HEX NUT, BRASS
- 2 FINISH:
CONTACT, 0.75µm MIN. GOLD OVER NICKEL
HEX NUT, NICKEL
- 3 SOLDER TERMINATION CONTACT, 28 AWG WIRE MAX.
- 4 10.0 MAXIMUM PANEL THICKNESS
- 5. INSTALLS FROM FRONT OR REAR OF PANEL
- 6. INGRESS PROTECTION: IP50 (MATED)
- 7 PRELIMINARY PART NUMBER.



DETAIL A
CIRCUIT DESIGNATION VIEW
SCALE 8:1



SUGGESTED
PANEL CUTOUT
SCALE 4:1

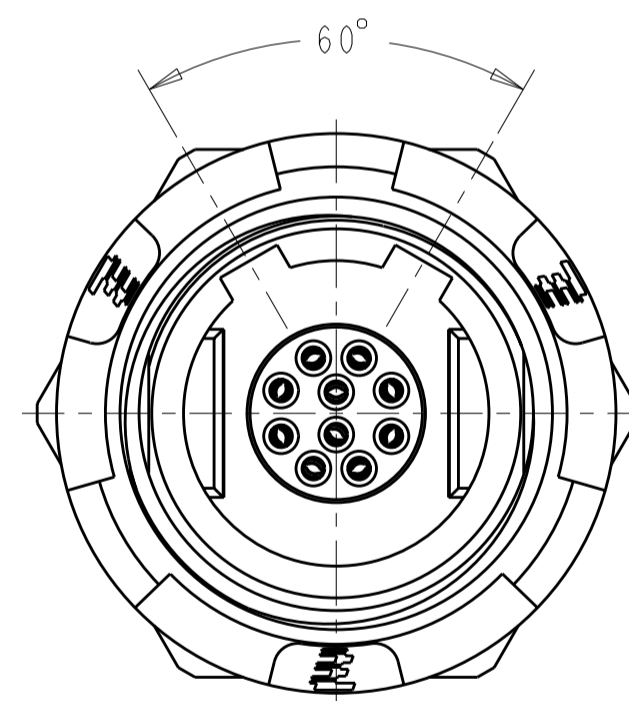
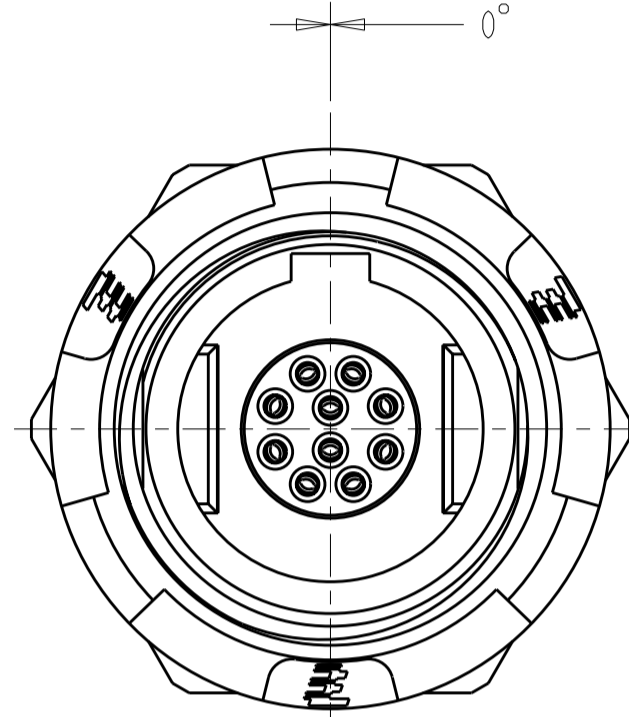
THIS DRAWING IS A CONTROLLED DOCUMENT.		DWN R.L. KOLLER 22 JUN 2005	TE Connectivity															
		CHK L. BREKOSKY 28 JUN 2005																
DIMENSIONS: mm		TOLERANCES UNLESS OTHERWISE SPECIFIED:		NAME RECEPTACLE ASSEMBLY PANEL MOUNT 10 POSITION														
<table border="1"> <tr><td>0 PLC</td><td>±</td></tr> <tr><td>1 PLC</td><td>±0.2</td></tr> <tr><td>2 PLC</td><td>±0.08</td></tr> <tr><td>3 PLC</td><td>±</td></tr> <tr><td>4 PLC</td><td>±</td></tr> <tr><td>ANGLES</td><td>±1°</td></tr> <tr><td>FINISH</td><td></td></tr> </table>		0 PLC	±	1 PLC	±0.2	2 PLC	±0.08	3 PLC	±	4 PLC	±	ANGLES	±1°	FINISH		APVD -	PRODUCT SPEC 108-2249	SIZE A2
0 PLC	±																	
1 PLC	±0.2																	
2 PLC	±0.08																	
3 PLC	±																	
4 PLC	±																	
ANGLES	±1°																	
FINISH																		
MATERIAL 1		APPLICATION SPEC 114-13184	WEIGHT -	CAGE CODE 00779														
		CUSTOMER DRAWING		DRAWING NO. 1877069														
		SCALE 5:1		RESTRICTED TO -														
		SHEET 1 OF 2		REV B3														

THIS DRAWING IS UNPUBLISHED. RELEASED FOR PUBLICATION 20
 © COPYRIGHT 20 BY - ALL RIGHTS RESERVED.

LOC	DIST	REVISIONS			
P	LTR	DESCRIPTION	DATE	DWN	APVD
AD	00	-	SEE SHEET 1	-	-

KEYING	FRONT NUT COLOR	HOUSING COLOR	PART NUMBER
40°	BLUE	BLACK	4-1877069-2
	BLUE	GRAY	4-1877069-1
40°	GREEN	BLACK	4-1877069-0
	GREEN	GRAY	3-1877069-9
40°	YELLOW	BLACK	3-1877069-8
	YELLOW	GRAY	3-1877069-7
40°	WHITE	BLACK	3-1877069-6
	WHITE	GRAY	3-1877069-5
40°	RED	BLACK	3-1877069-4
	RED	GRAY	3-1877069-3
40°	BLACK	BLACK	3-1877069-2
	BLACK	GRAY	3-1877069-1
40°	GRAY	BLACK	3-1877069-0
	GRAY	GRAY	2-1877069-9
80°	BLACK	GRAY	2-1877069-8
	GRAY	BLACK	2-1877069-7
0°	BLACK	GRAY	2-1877069-6
	GRAY	BLACK	2-1877069-5
80°	BLUE	BLACK	2-1877069-4
	BLUE	GRAY	2-1877069-3
0°	BLUE	BLACK	2-1877069-2
	BLUE	GRAY	2-1877069-1
80°	GREEN	BLACK	2-1877069-0
	GREEN	GRAY	1-1877069-9
0°	GREEN	BLACK	1-1877069-8
	GREEN	GRAY	1-1877069-7
80°	YELLOW	BLACK	1-1877069-6
	YELLOW	GRAY	1-1877069-5
0°	YELLOW	BLACK	1-1877069-4
	YELLOW	GRAY	1-1877069-3
80°	WHITE	BLACK	1-1877069-2
	WHITE	GRAY	1-1877069-1
0°	WHITE	BLACK	1-1877069-0
	WHITE	GRAY	1877069-9
80°	RED	BLACK	1877069-8
	RED	GRAY	1877069-7
0°	RED	BLACK	1877069-6
	RED	GRAY	1877069-5
80°	BLACK	BLACK	1877069-4
	GRAY	GRAY	1877069-3
0°	BLACK	BLACK	1877069-2
	GRAY	GRAY	1877069-1

60°	BLUE	BLACK	5-1877069-6
	BLUE	GRAY	5-1877069-5
60°	GREEN	BLACK	5-1877069-4
	GREEN	GRAY	5-1877069-3
60°	YELLOW	BLACK	5-1877069-2
	YELLOW	GRAY	5-1877069-1
60°	WHITE	BLACK	5-1877069-0
	WHITE	GRAY	4-1877069-9
60°	RED	BLACK	4-1877069-8
	RED	GRAY	4-1877069-7
60°	BLACK	BLACK	4-1877069-6
	BLACK	GRAY	4-1877069-5
60°	GRAY	BLACK	4-1877069-4
	GRAY	GRAY	4-1877069-3



THIS DRAWING IS A CONTROLLED DOCUMENT.		DWN R.L. KOLLER 22 JUN 2005	TE Connectivity	
		CHK L. BREKOSKY 28 JUN 2005		
DIMENSIONS:	TOLERANCES UNLESS OTHERWISE SPECIFIED:	APVD -	NAME RECEPTACLE ASSEMBLY PANEL MOUNT 10 POSITION	
mm	0 PLC ± 1 PLC ±0.2 2 PLC ±0.08 3 PLC ± 4 PLC ±	PRODUCT SPEC 108-2249	SIZE A2	
MATERIAL	ANGLES ±1° FINISH	APPLICATION SPEC 114-13184	CAGE CODE 00779	DRAWING NO C-1877069
		WEIGHT -	RESTRICTED TO -	
		CUSTOMER DRAWING	SCALE 5:1	SHEET 2 OF 2 REV B.3

X-ON Electronics

Largest Supplier of Electrical and Electronic Components

Click to view similar products for [Standard Circular Connector](#) category:

Click to view products by [TE Connectivity](#) manufacturer:

Other Similar products are found below :

[5M2530B10P](#) [600259N006](#) [600273N007](#) [6134-336-13149](#) [6134-337-11149](#) [6134-337-2390](#) [6134-341-17149](#) [6280-4SG-516](#) [6280-7SG-3DC](#)
[6290](#) [6291A](#) [66200A-10](#) [680-SMG](#) [681-PMG](#) [CXS3102A14S2P](#) [CXS3102A181S](#) [7271-6SG-300](#) [7282-3PG-300-CH3](#) [75-474618-01S](#) [75-](#)
[474618-04P](#) [75-474618-04S](#) [799539-000](#) [MI8-SE](#) [805-005-07NF11-19PC](#) [805-005-07NF15-7PA](#) [8280-4PG-516](#) [8280-7PG-519](#) [8282-5PG-](#)
[519](#) [836783-1](#) [MP-4102-25P-C](#) [862256-1](#) [864019-2](#) [866857-1](#) [867865-1](#) [PT01SP-14-18P](#) [PT08P-14-5S](#) [120-1833-000](#)
[QCM019PC2DC012B](#) [1-2069279-1](#) [121583-0217](#) [121667-0020](#) [129591AU](#) [1000B BULK](#) [RD10A16-19-P6CS051/1](#) [RD10A20-31-](#)
[P8CS051/1](#) [RD16A14-12-S6CS051/2](#) [1301240290](#) [1301240347](#) [1301860202](#) [1301240268](#) [1301240275](#)