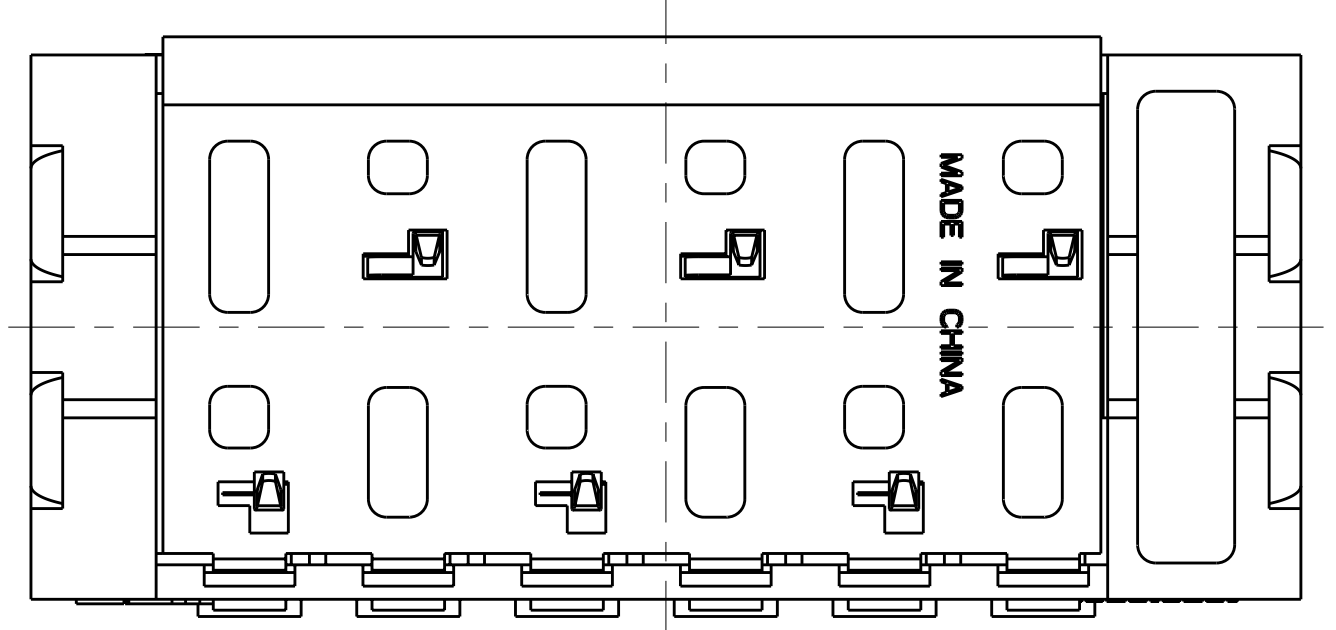
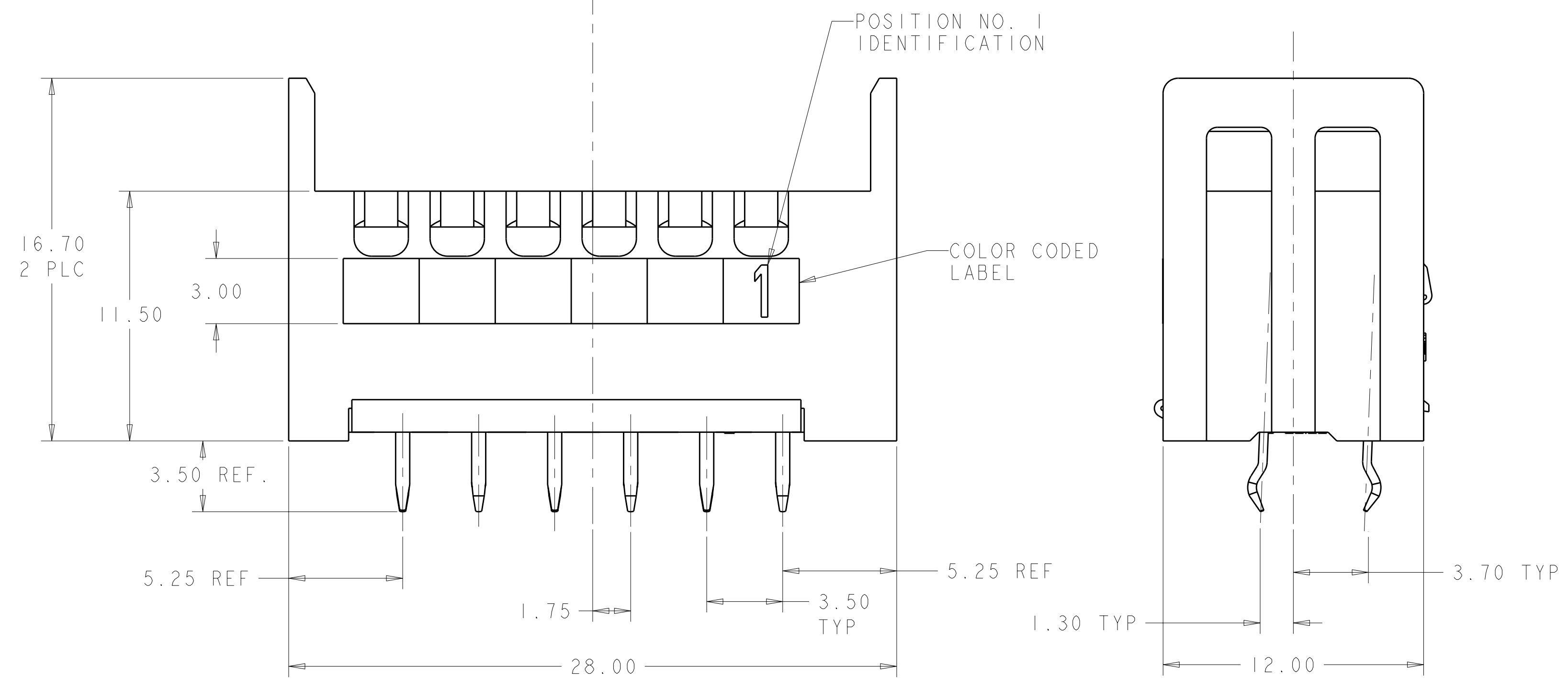
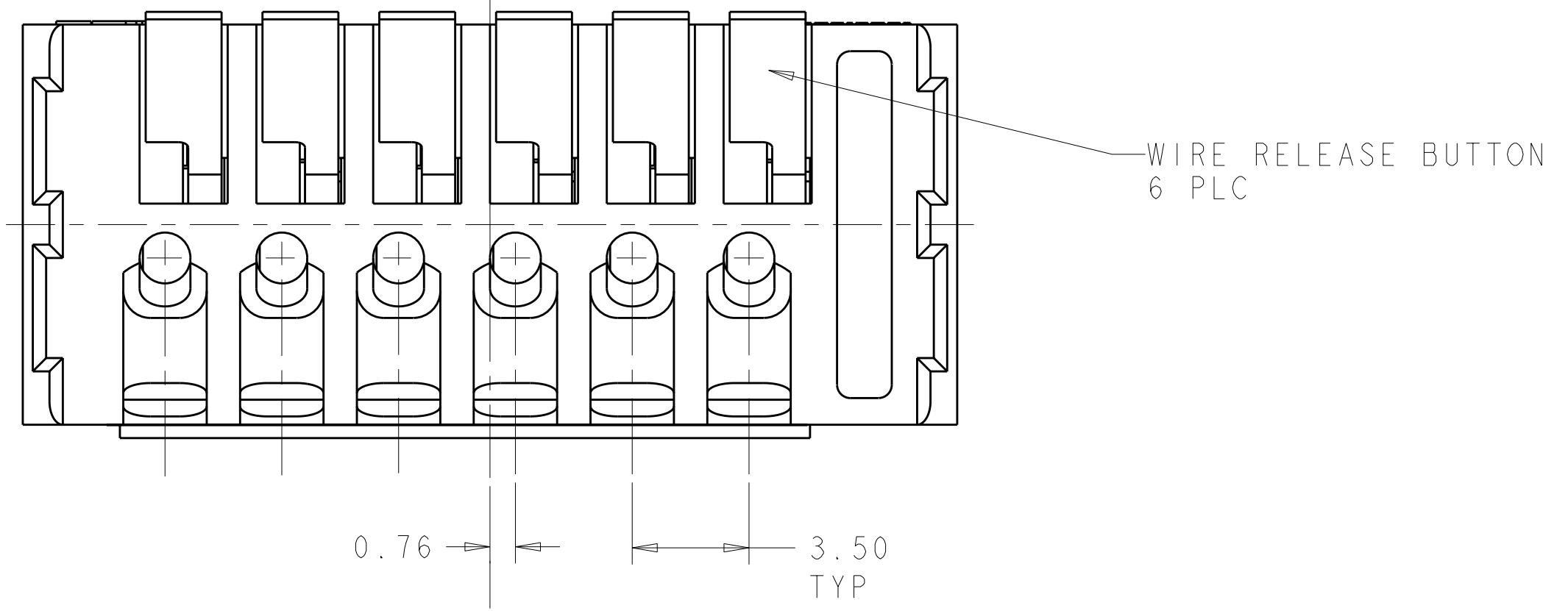


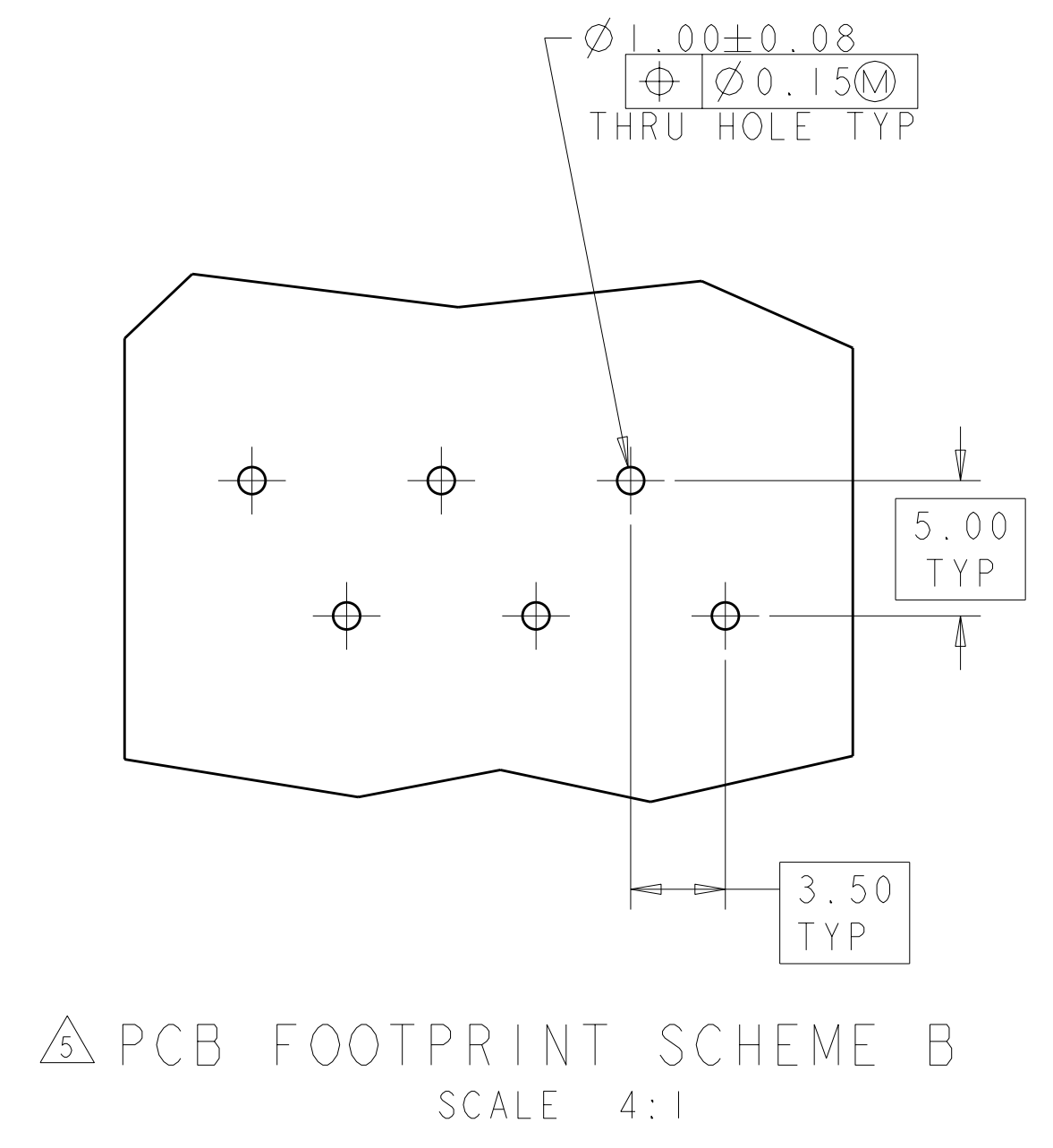
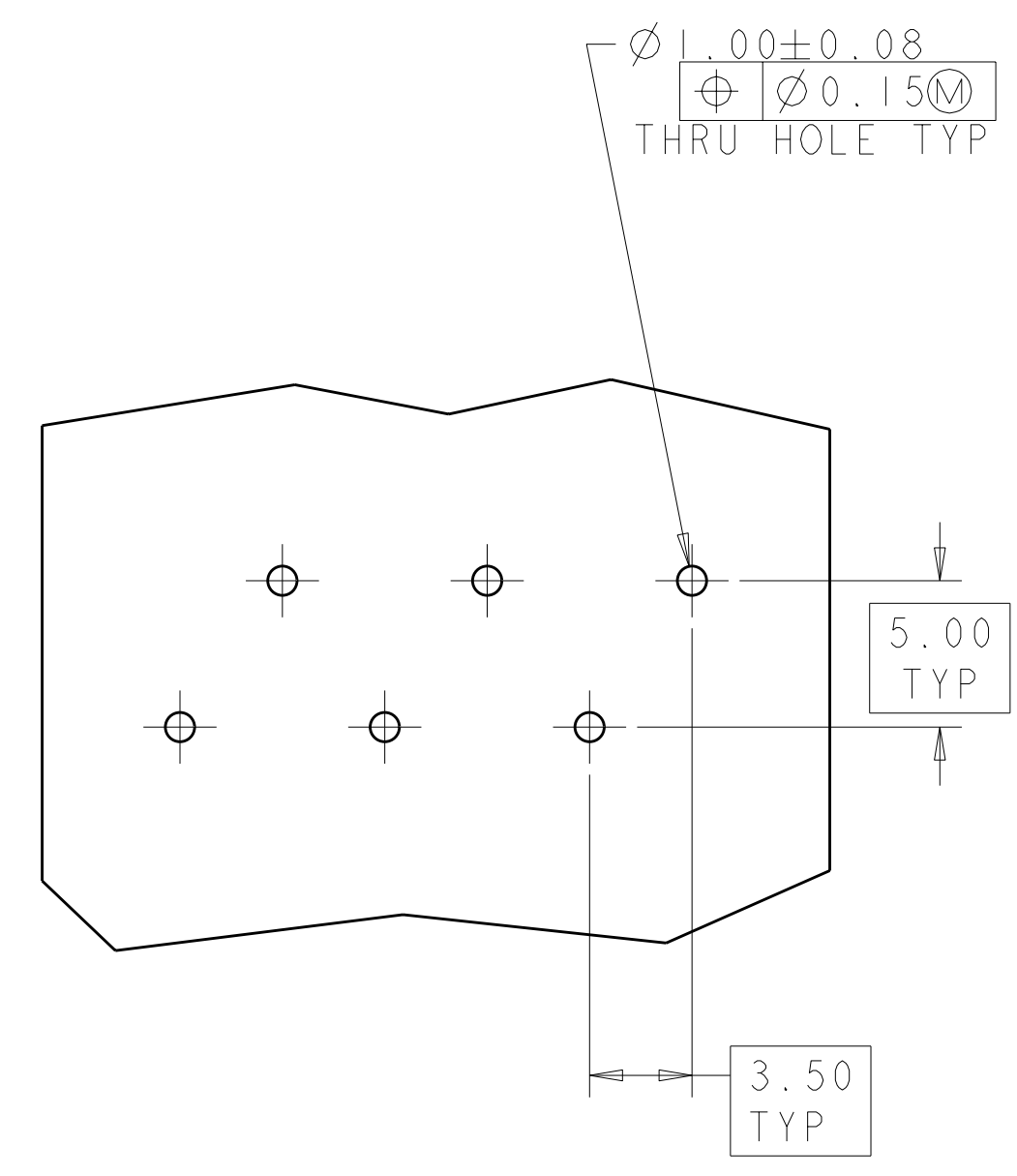
SCALE 4:1

1. TYPICAL CONNECTOR AS SHOWN ON THIS SHEET. SEE SHEET 2 FOR CONNECTOR PART NO WITH SELECT CONTACT LOADING, AND COLOR CODED LABELING.
2. MATERIAL; HOUSING: NYLON, ULV0 RATED; COLOR, NATURAL CONTACTS: PHOSPHOR BRONZE.
3. FINISH: CONTACTS: PREPLATED TIN, 2.5um MIN OVER 0.76um MIN NICKEL. CONTACT EDGES WILL BE UNPLATED.
4. ACCEPTABLE WIRE SIZE: 18AWG SOLID, 2.35 MAX INSULATION DIAMETER, 9.50±1.00 STRIP LENGTH
5. THE PCBs ARE VIEWED FROM THE CONNECTOR MOUNTING SIDE. CONNECTOR IS DESIGNED FOR USE IN A 1.575±0.178 THICK PCB.
6. CONNECTOR CAN BE USED IN COMBINATION WITH WIRE STRAIN RELIEF COVER, PART NOS 1604957-1 AND 1604957-2.

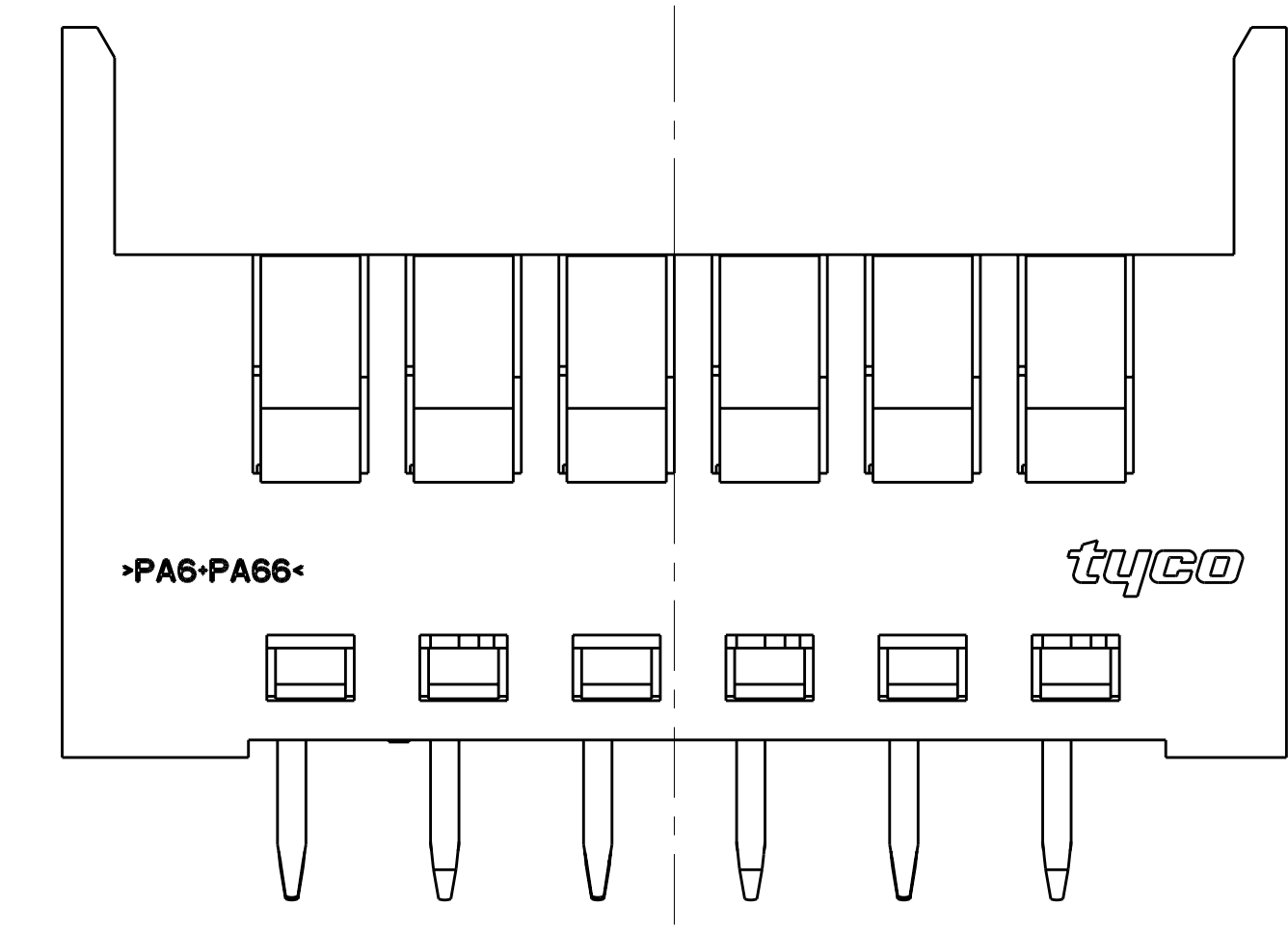


△ COLOR TEXT SHOWN FOR REFERENCE ONLY. POSITION 1 WILL HAVE NUMERAL 1. SEE TABLE ON SHEET 2 FOR COLOR CODE.

8. RoHS COMPLIANT.



LOC	DIST	REV	DESCRIPTION	DATE	DWN	APVD
-	-	1	PROPOSED	02JUN05	CGD	NP
-	-	2	ADD RoHS COMPLIANT AND ULV0 RATING NOTES	07OCT2006	WM	NP
-	-	-	-	-	-	-
-	-	-	-	-	-	-



TYCO ELECTRONICS  
 CONFIDENTIAL  
 AND PROPRIETARY

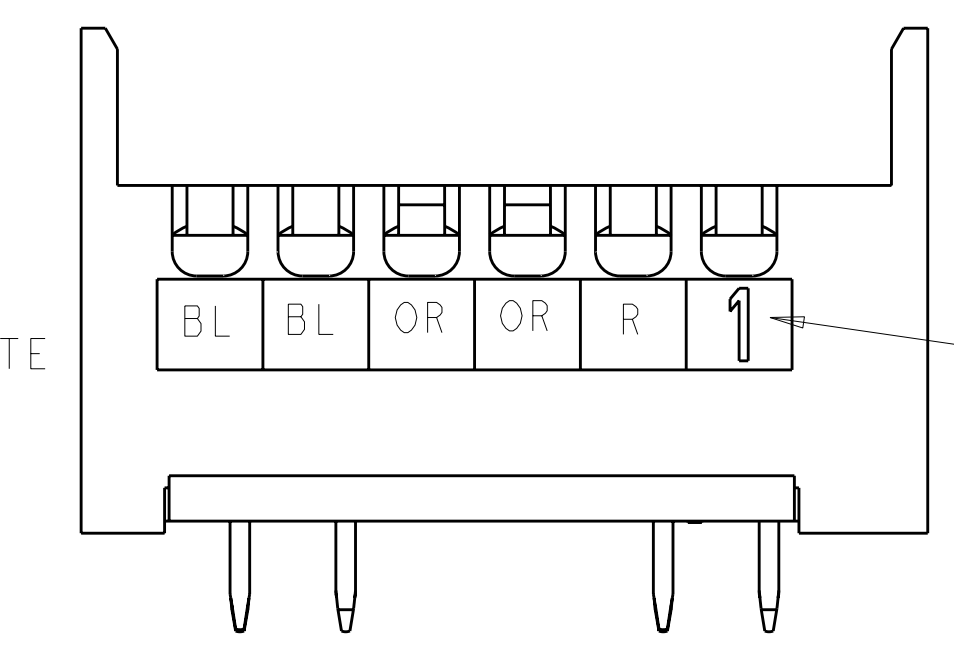
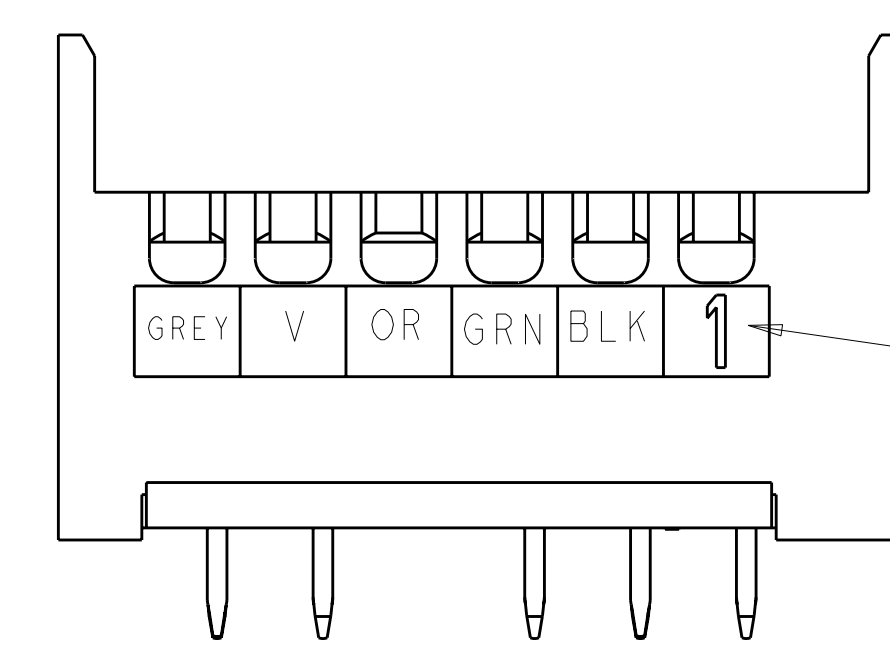
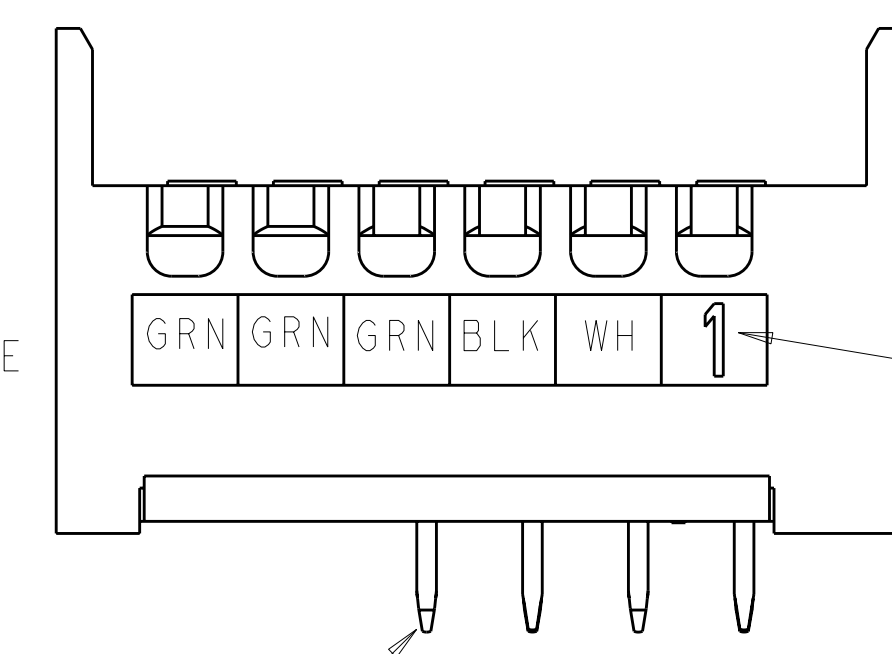
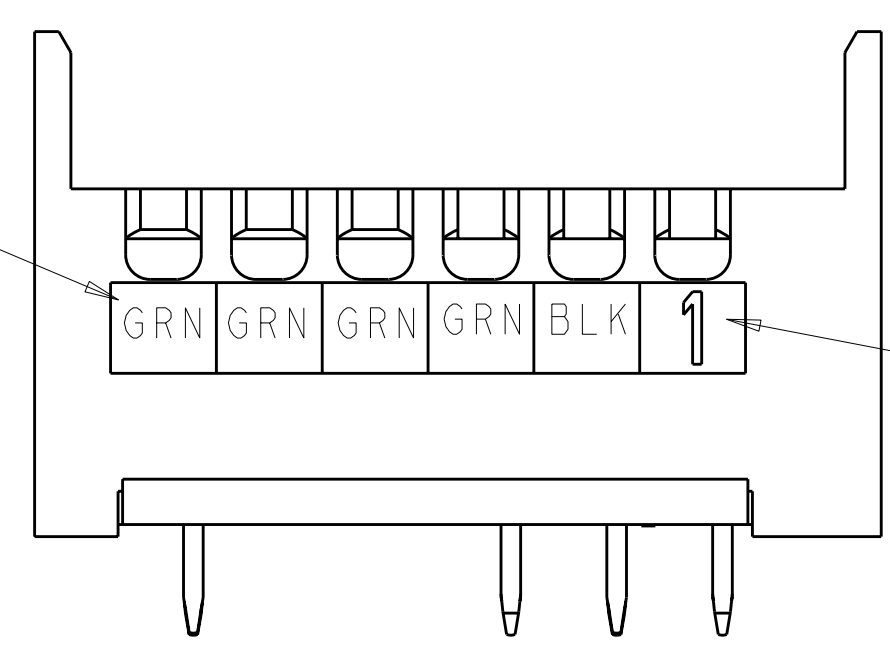
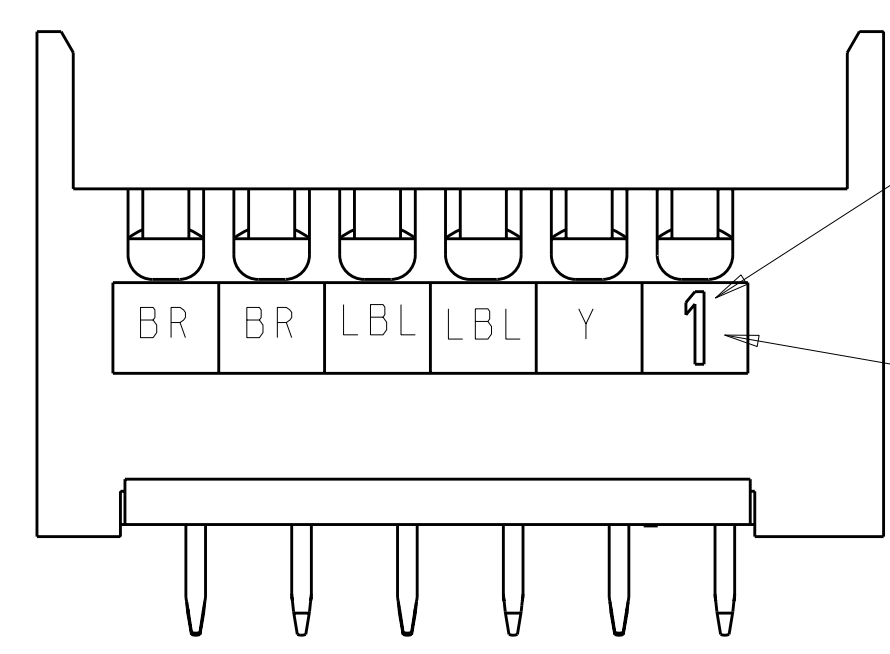
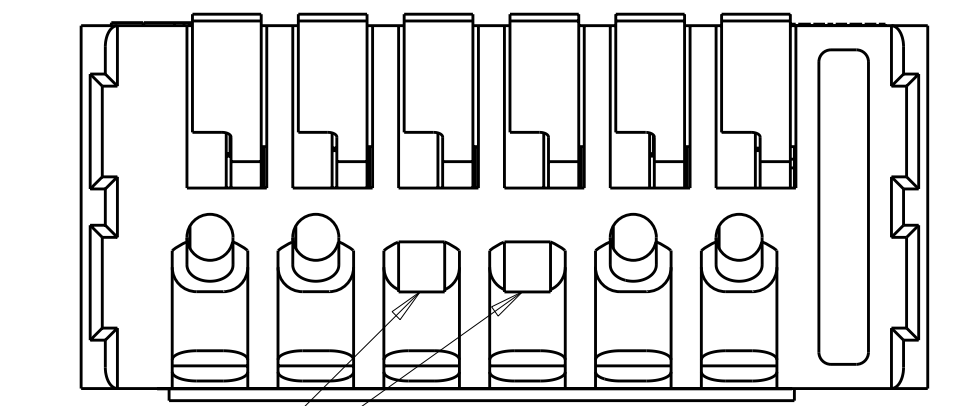
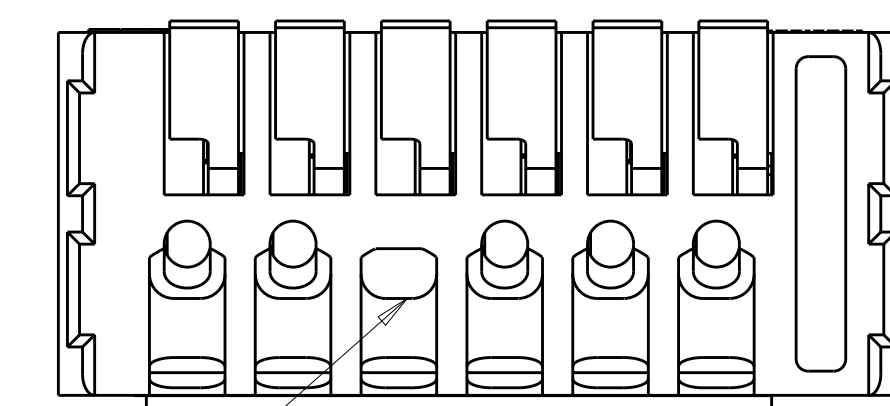
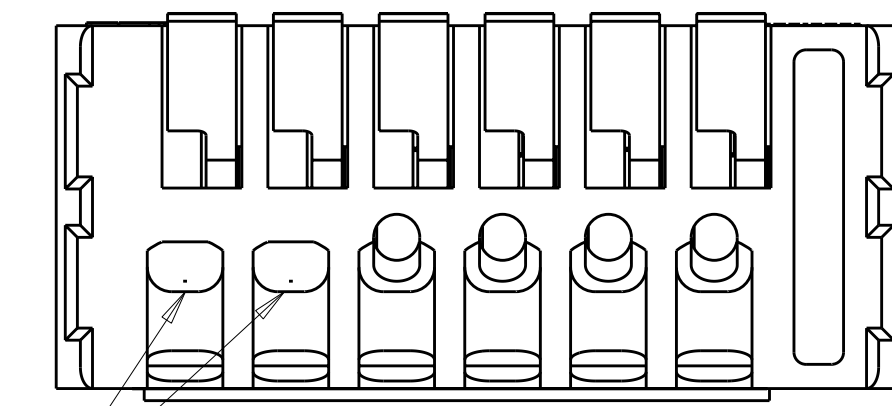
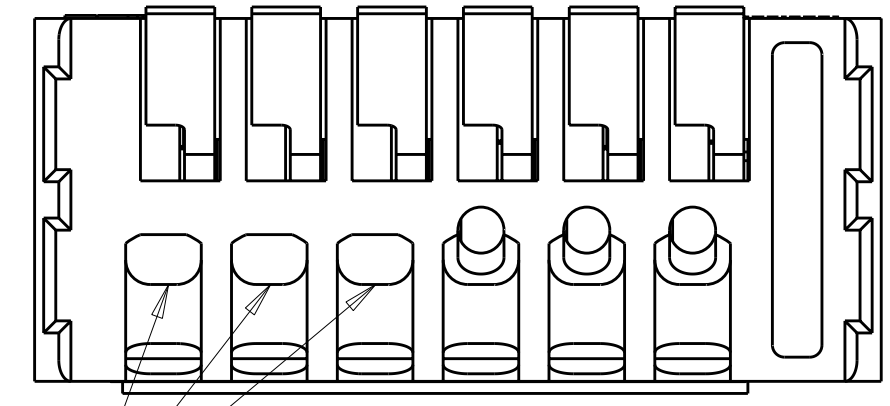
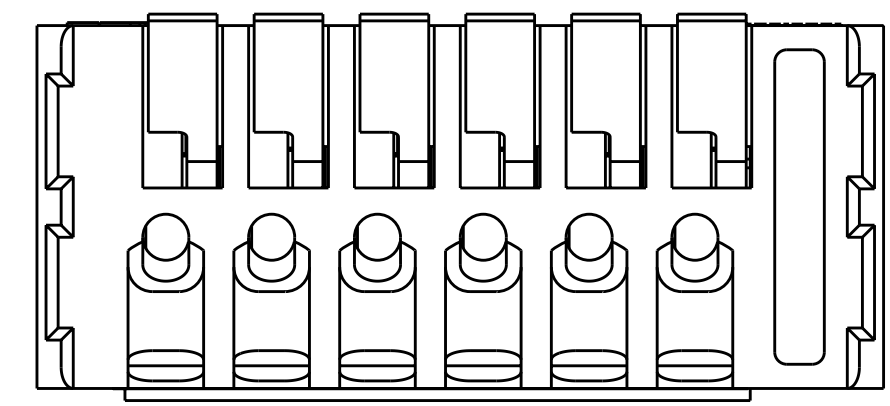
PROPOSED DESIGN  
 NOT PRODUCTION TOOLED

DESIGN IS SUBJECT TO  
 CHANGE WITHOUT NOTICE

1877086-8
1877086-7
1877086-6
1877086-5
1877086-4
1877086-3
1877086-2
1877086-1
PART NO

DIMENSIONS: mm 		TOLERANCES UNLESS OTHERWISE SPECIFIED: 0 PLC ± 1 PLC ±0.13 3 PLC ± 4 PLC ± ANGLES ±		DWN: C DALLY 02JUN05 CHK: N BATEL 02JUN05 APVD: - NAME: - PRODUCT SPEC: - APPLICATION SPEC: - WEIGHT: - MATERIAL: - FINISH: -		Tyco Electronics Harrisburg, PA 17105-3608 <b>PRELIMINARY</b> ASSEMBLY, 8 SEGMENT, EXTERNAL BALLAST CONNECTOR SIZE: A11 CAGE CODE: 00779 DRAWING NO: C=1877086 SCALE: 6:1 SHEET 1 OF 2 REV 2	
-----------------------	--	--	--	---	--	--	--

LOC	DIST	REV	DATE	BY	APPD
-	-	1	-	-	-
-		2	SEE SHEET 1	-	-



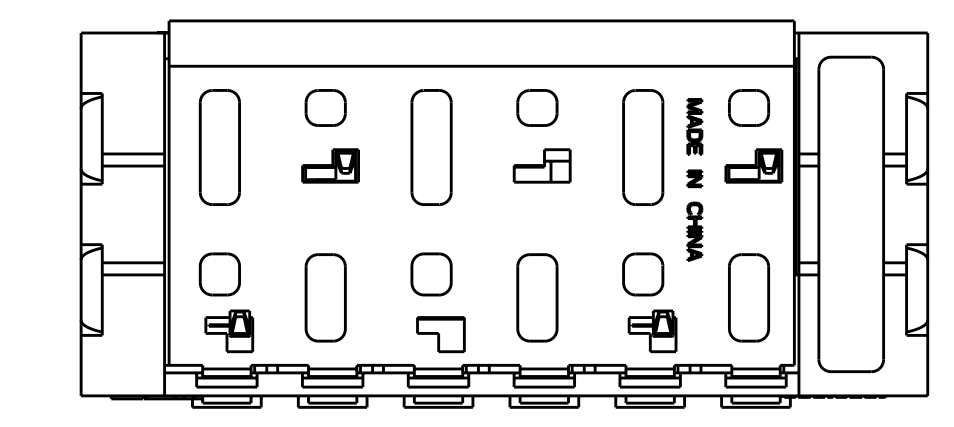
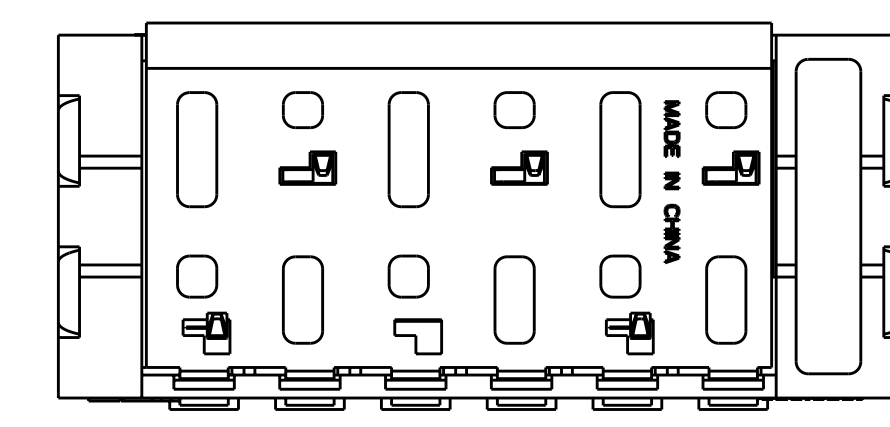
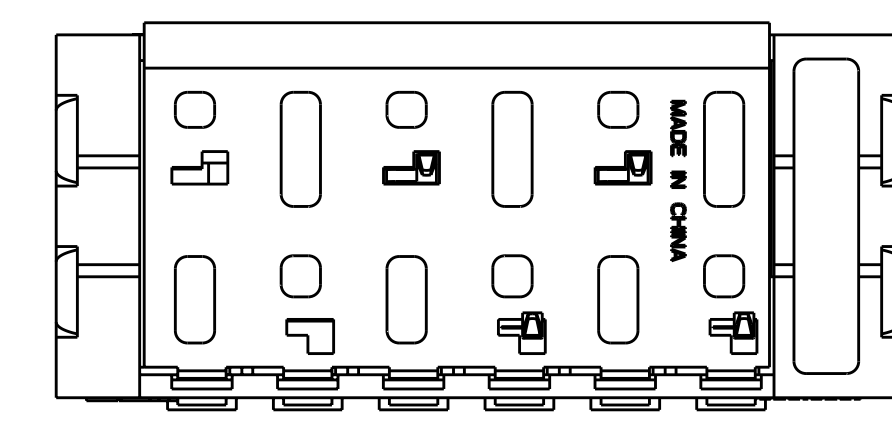
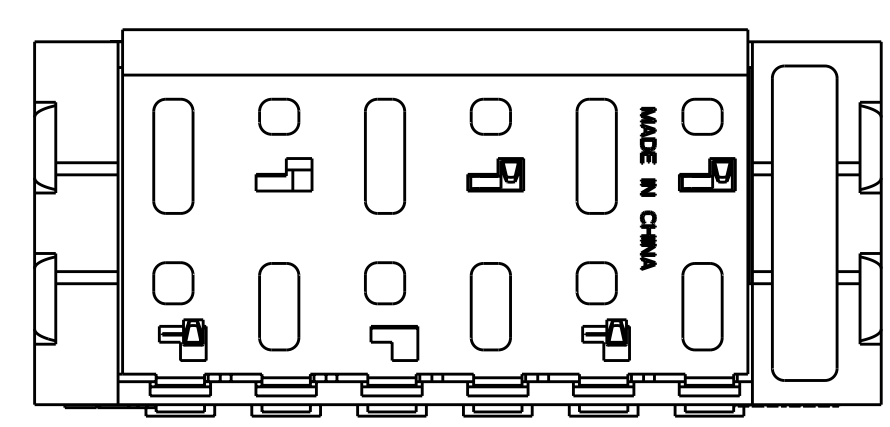
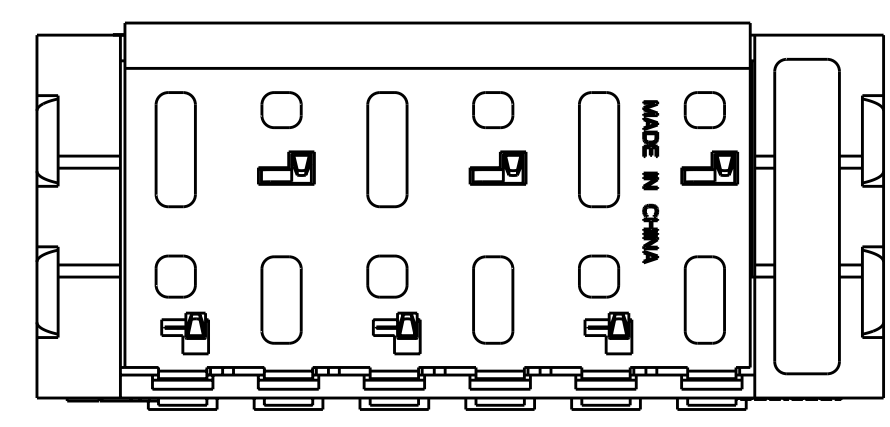
CONTACTS FULLY LOADED

CONTACTS SELECTIVELY LOADED

CONTACTS SELECTIVELY LOADED

CONTACTS SELECTIVELY LOADED

CONTACTS SELECTIVELY LOADED



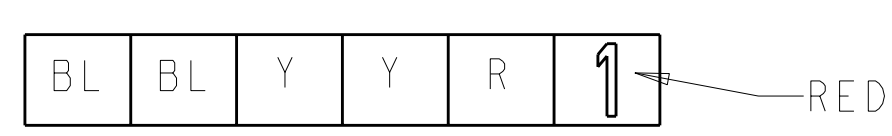
1877086-1  
USE PCB SCHEME B

1877086-4  
USE PCB SCHEME B

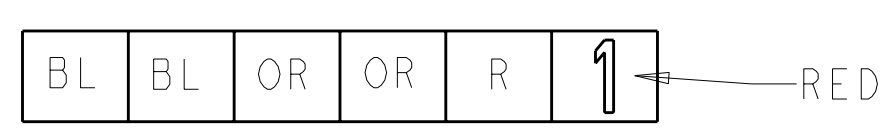
1877086-5  
USE PCB SCHEME A

1877086-7  
USE PCB SCHEME B

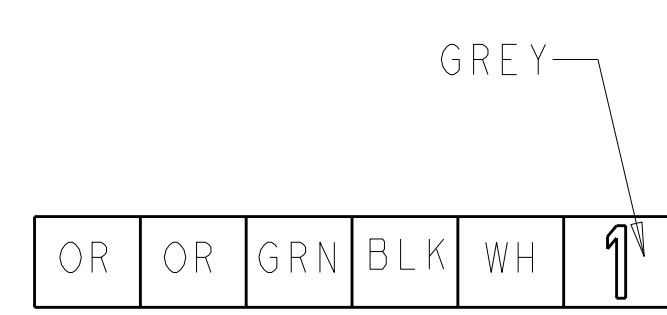
1877086-8  
USE PCB SCHEME B



1877086-2  
SAME AS 1877086-1,  
EXCEPT FOR LABEL,  
AS SHOWN



1877086-3  
SAME AS 1877086-1,  
EXCEPT FOR LABEL,  
AS SHOWN



1877086-6  
SAME AS 1877086-5,  
EXCEPT FOR LABEL,  
AS SHOWN

TYCO ELECTRONICS  
CONFIDENTIAL  
AND PROPRIETARY

PROPOSED DESIGN  
NOT PRODUCTION TOOLED

DESIGN IS SUBJECT TO  
CHANGE WITHOUT NOTICE

BLUE	BLUE	ORANGE	ORANGE	RED	RED	1877086-8
GREY	VIOLET	ORANGE	GREEN	BLACK	WHITE	1877086-7
ORANGE	ORANGE	GREEN	BLACK	WHITE	GREY	1877086-6
GREEN	GREEN	GREEN	BLACK	WHITE	GREY	1877086-5
GREEN	GREEN	GREEN	GREEN	BLACK	WHITE	1877086-4
BLUE	BLUE	ORANGE	ORANGE	RED	RED	1877086-3
BLUE	BLUE	YELLOW	YELLOW	RED	RED	1877086-2
BROWN	BROWN	LT.BLUE	LT.BLUE	YELLOW	YELLOW	1877086-1
POSN NO 6 COLOR	POSN NO 5 COLOR	POSN NO 4 COLOR	POSN NO 3 COLOR	POSN NO 2 COLOR	POSN NO 1 COLOR	PART NO

DIMENSIONS: mm 		TOLERANCES UNLESS OTHERWISE SPECIFIED: 9 PLC ± 1 PLC ±0.13 5 PLC ± 4 PLC ± ANGLES ± FINISH		DWN C. DAILY 02JUN05 CHK N. PATEL 02JUN05 APVD - NAME - PRODUCT SPEC - APPLICATION SPEC - WEIGHT - CUSTOMER DRAWING		Tyco Electronics Tyco Electronics Harrisburg, PA 17105-3608 ASSEMBLY, 8 SEGMENT, EXTERNAL BALLAST CONNECTOR SIZE CAGE CODE DRAWING NO. RESTRICTED TO A1 00779 C=1877086 SCALE 6:1 SHEET 2 OF 2 REV 2	
-----------------------	--	--	--	--	--	---	--

## **X-ON Electronics**

Largest Supplier of Electrical and Electronic Components

*Click to view similar products for [Fixed Terminal Blocks](#) category:*

*Click to view products by [TE Connectivity](#) manufacturer:*

Other Similar products are found below :

[00175550202](#) [MBE-1512](#) [MBE-1520](#) [MBE-154](#) [MBE-156](#) [MBES-1510](#) [MBES-153](#) [MBES-156](#) [MH-2512](#) [MHE-132](#) [MHE-133](#) [MHE-163](#)  
[MI-254 \(35\)](#) [MI-272](#) [8739](#) [880507](#) [880508](#) [MPT-275](#) [1546551-6](#) [ELM023100](#) [ELM10110G](#) [ELVD12100](#) [BA311TU](#) [BA411SU](#) [MV-152](#)  
[MV-253/NCNOC](#) [MV-254-D](#) [MV-255](#) [MV-462](#) [MV-472](#) [MV-493](#) [MVE-252](#) [MVE-253](#) [MVE-258](#) [MVE-273](#) [MVEB-153](#) [1700096](#)  
[1702246](#) [1705142](#) [1712417](#) [1713020](#) [1713088](#) [1776118-2](#) [1790852](#) [1-796689-8](#) [1-796692-6](#) [1800001](#) [1800114](#) [1823215](#) [1838462](#)