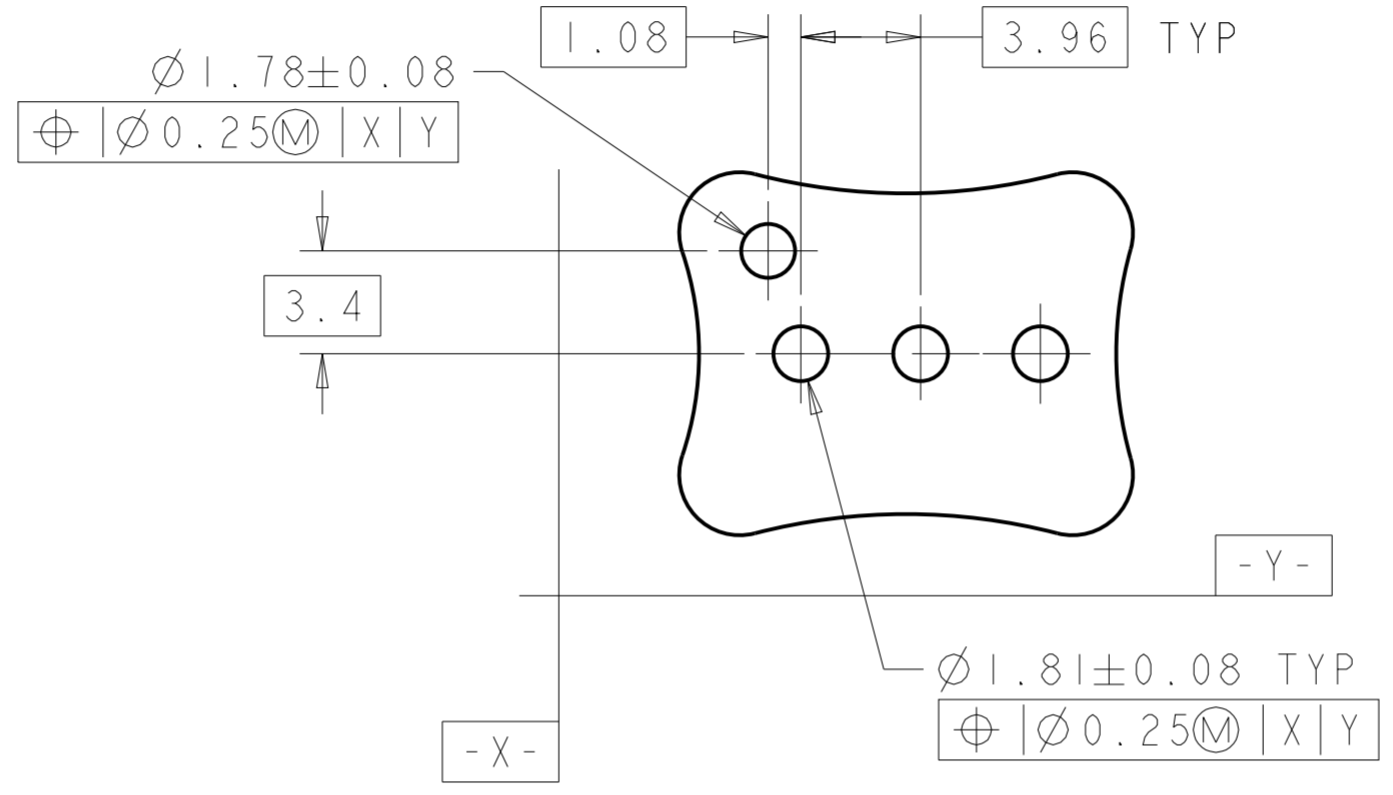
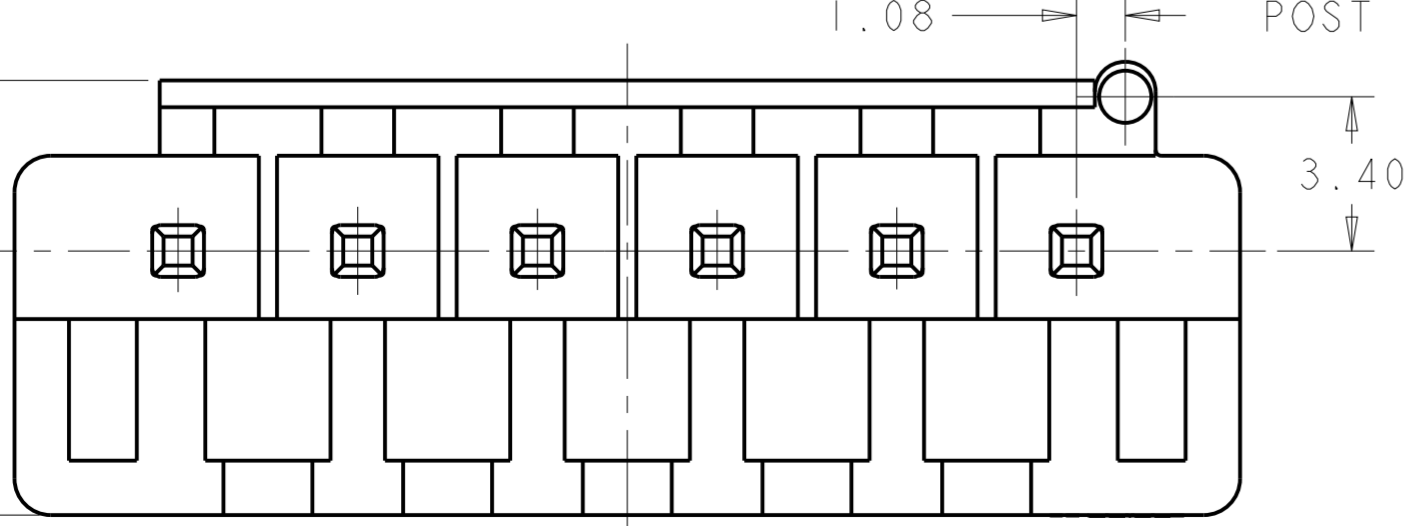
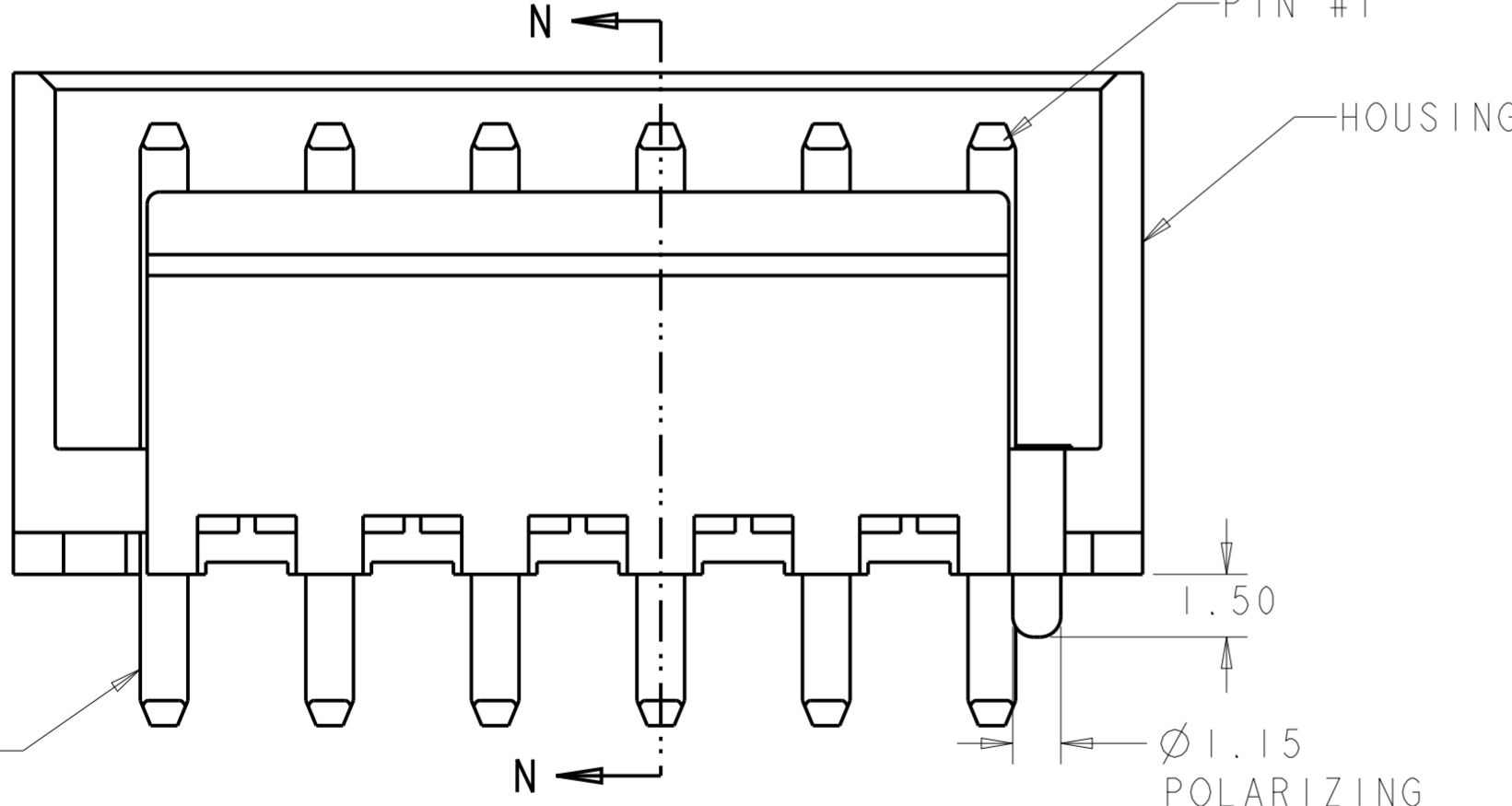
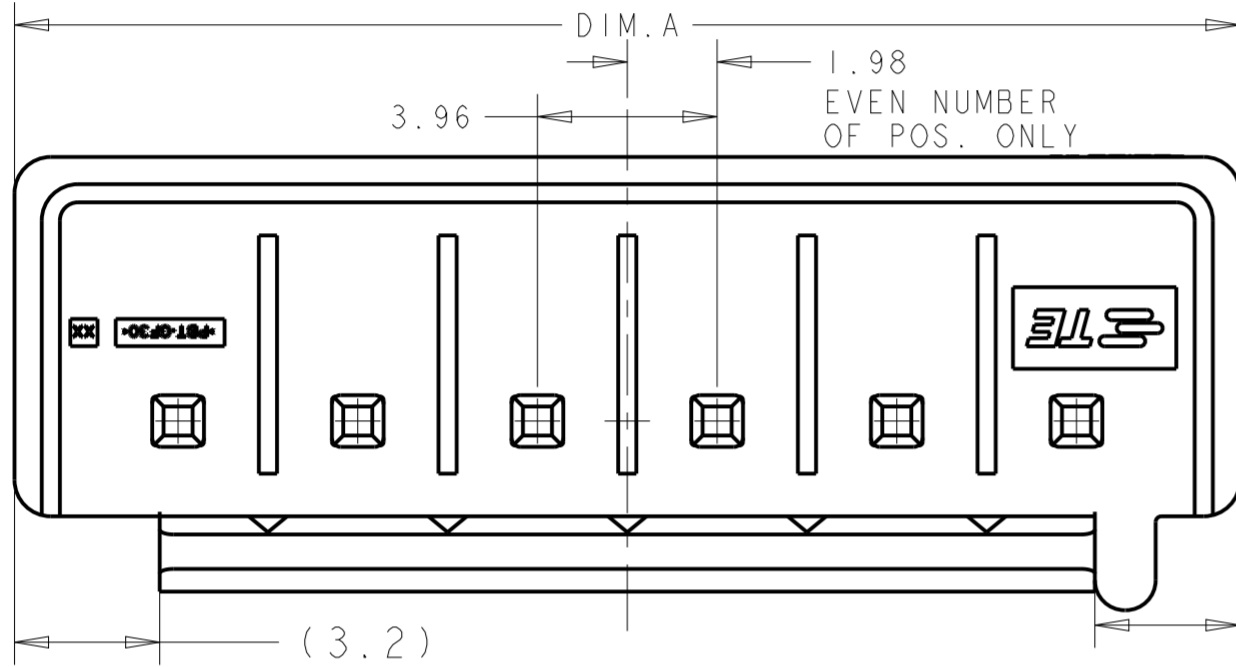
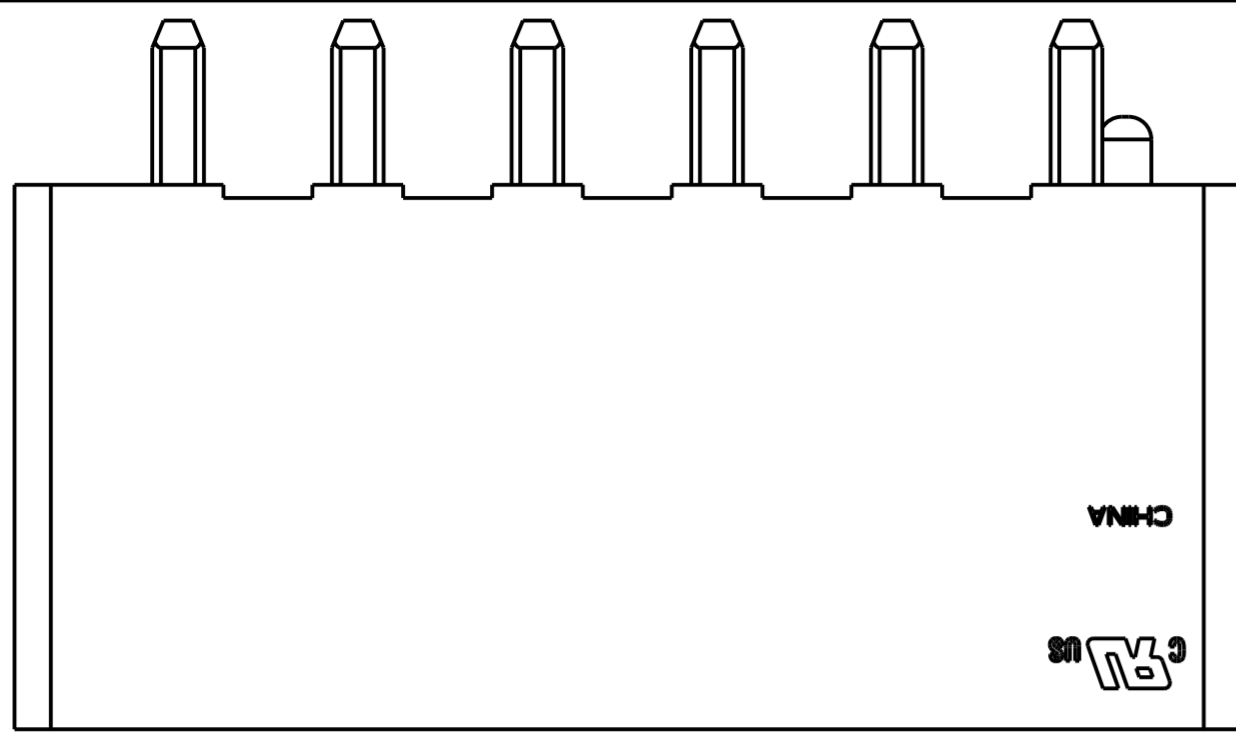


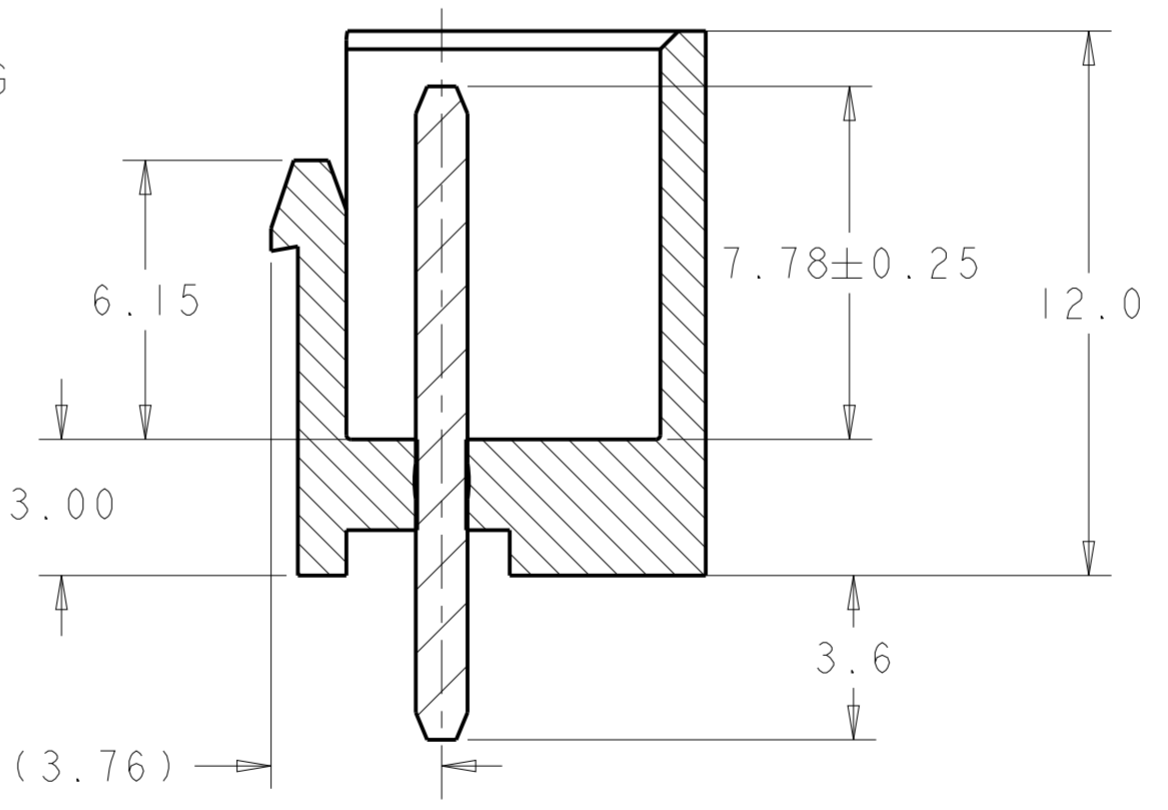
THIS DRAWING IS UNPUBLISHED. RELEASED FOR PUBLICATION 20  
 BY - ALL RIGHTS RESERVED.

| LOC | DIST | REVISIONS |     |                           |           |     |      |
|-----|------|-----------|-----|---------------------------|-----------|-----|------|
| GP  | 00   | P         | LTR | DESCRIPTION               | DATE      | DWN | APVD |
|     |      | D4        |     | REVISED PER ECR-20-100406 | 16SEP2020 | WH  | DZ   |

- 1 MATERIAL: HOUSING; PBT GLASS FILLED UL94V-0  
PIN; BRASS
- 2 FINISH: PIN, 1.0µm MIN TIN OVER 0.8µm MIN NICKEL.
- 3 SKETCH SHOWS NO PIN MISSING.
- 4 PRELIMINARY-NOT FOR PRODUCTION



RECOMMENDED PCB LAYOUT  
SCALE 4:1



SECTION N-N

| COLOR | DIM.A | OMIT PIN# | POS. | ASSEMBLY PART NO. |             |
|-------|-------|-----------|------|-------------------|-------------|
| WHITE | 23.05 | 2&4       | 5    | 5-1877285-5       |             |
| WHITE | 30.97 |           | 6    | 7                 | 1-1877285-7 |
| WHITE | 23.05 |           | 4    | 5                 | 4-1877285-5 |
| WHITE | 23.05 |           | 3    | 5                 | 1-1877285-5 |
| BLACK | 50.77 |           |      | 12                | 3-1877285-2 |
| BLACK | 46.81 |           |      | 11                | 3-1877285-1 |
| BLACK | 42.85 |           |      | 10                | 3-1877285-0 |
| BLACK | 38.89 |           |      | 9                 | 2-1877285-9 |
| BLACK | 34.93 |           |      | 8                 | 2-1877285-8 |
| BLACK | 30.97 |           |      | 7                 | 2-1877285-7 |
| BLACK | 27.01 |           |      | 6                 | 2-1877285-6 |
| BLACK | 23.05 |           |      | 5                 | 2-1877285-5 |
| BLACK | 19.09 |           |      | 4                 | 2-1877285-4 |
| BLACK | 15.13 |           |      | 3                 | 2-1877285-3 |
| BLACK | 11.17 |           |      | 2                 | 2-1877285-2 |
| WHITE | 50.77 |           |      | 12                | 1-1877285-2 |
| WHITE | 46.81 |           |      | 11                | 1-1877285-1 |
| WHITE | 42.85 |           |      | 10                | 1-1877285-0 |
| WHITE | 38.89 |           |      | 9                 | 1877285-9   |
| WHITE | 34.93 |           |      | 8                 | 1877285-8   |
| WHITE | 30.97 |           |      | 7                 | 1877285-7   |
| WHITE | 27.01 |           |      | 6                 | 1877285-6   |
| WHITE | 23.05 |           |      | 5                 | 1877285-5   |
| WHITE | 19.09 |           |      | 4                 | 1877285-4   |
| WHITE | 15.13 |           |      | 3                 | 1877285-3   |
| WHITE | 11.17 |           |      | 2                 | 1877285-2   |

THIS DRAWING IS A CONTROLLED DOCUMENT.

|                |  |                           |                         |                           |  |
|----------------|--|---------------------------|-------------------------|---------------------------|--|
| DIMENSIONS: mm | TOLERANCES UNLESS OTHERWISE SPECIFIED: | DWN W.G. LENKER 03OCT2005 | CHK R. WALKER 03OCT2005 | APVD S. RIDGILL 10SEP2008 | NAME   |
| 0 PLC ±        | 1 PLC ±0.50                            | PRODUCT SPEC              | 108-5609                | SIZE                      | SHROUDED HEADER ASSEMBLY, 2 THRU 12 POSITION, SINGLE LATCH, 3.96mm PITCH, ECONOMY POWER (EP) |
| 2 PLC ±0.30    | 3 PLC ±                                | APPLICATION SPEC          | 114-13265               | CAGE CODE                 | A200779  |
| 4 PLC ±        | ANGLES ±                               | WEIGHT                    | -                       | DRAWING NO                | C-1877285  |
| FINISH         |  | CUSTOMER DRAWING          | SCALE                   | SHEET                     | OF   |

STE TE Connectivity

RESTRICTED TO REV D4

## X-ON Electronics

Largest Supplier of Electrical and Electronic Components

*Click to view similar products for [Headers & Wire Housings](#) category:*

*Click to view products by [TE Connectivity](#) manufacturer:*

Other Similar products are found below :

[892-18-020-10-001101](#) [58102-G61-06LF](#) [582553-1](#) [0009485154](#) [009176003701906](#) [0050291907](#) [LY20-4P-DT1-P1E-BR](#) [02.125.8002.8](#)  
[609-3404](#) [61062-3](#) [61082-181009](#) [622-3653LF](#) [63453-116](#) [636-1030](#) [636-1427](#) [636-3427](#) [636-4007](#) [641938-9](#) [641991-4](#) [644827-2](#) [65817-](#)  
[010LF](#) [65817-015LF](#) [65863-015LF](#) [66207-023LF](#) [67095-007LF](#) [67601157](#) [68645-018](#) [68648-049](#) [70.362.1628.0](#) [70-4210](#) [70-4226B](#) [70-](#)  
[4853B](#) [707-5020](#) [707-5028](#) [71.350.2428.0](#) [71918-208LF](#) [71961-016LF](#) [733-134](#) [733-162](#) [754199-000](#) [760-3052](#) [787-8014-00](#) [79531-3000](#)  
[FCN-360C032-B](#) [FCN-367T-T012/H](#) [FCN-723D010/2](#) [80.063.4001.1](#) [800-90-001-10-001000](#) [800-90-010-10-002000](#) [801-43-002-10-013000](#)