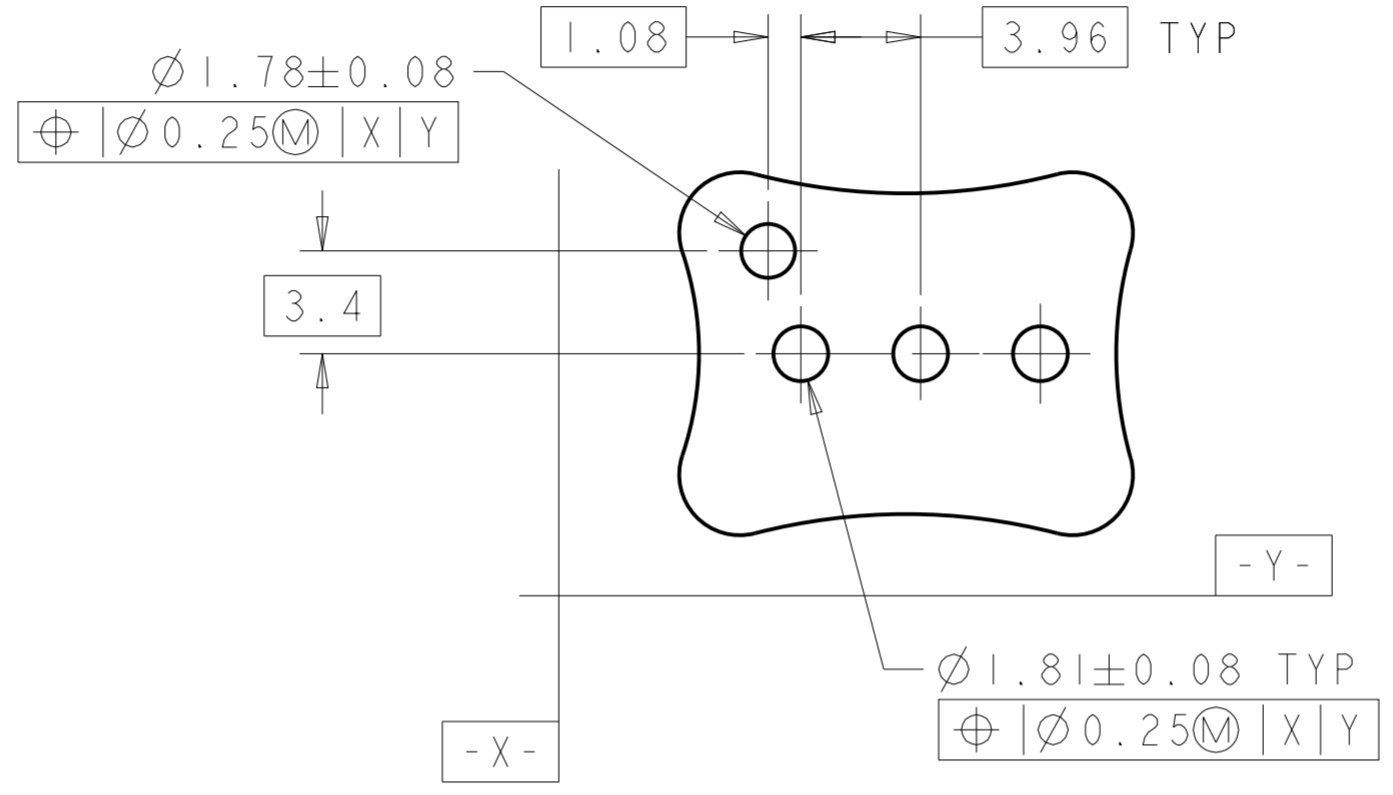
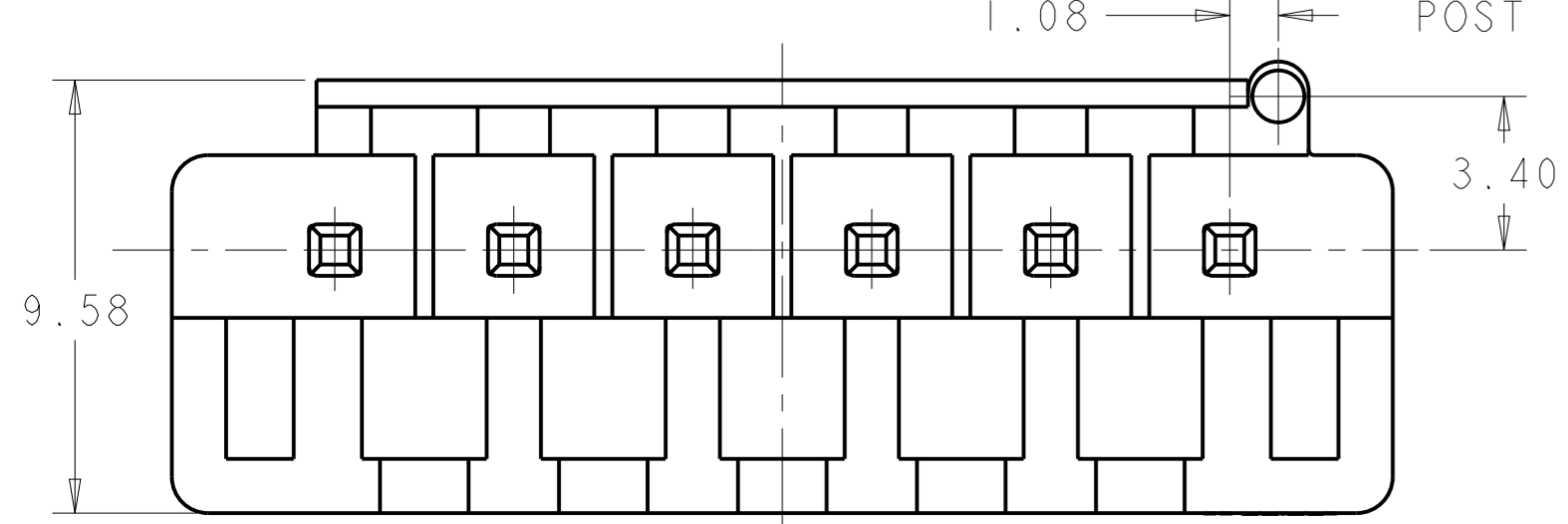
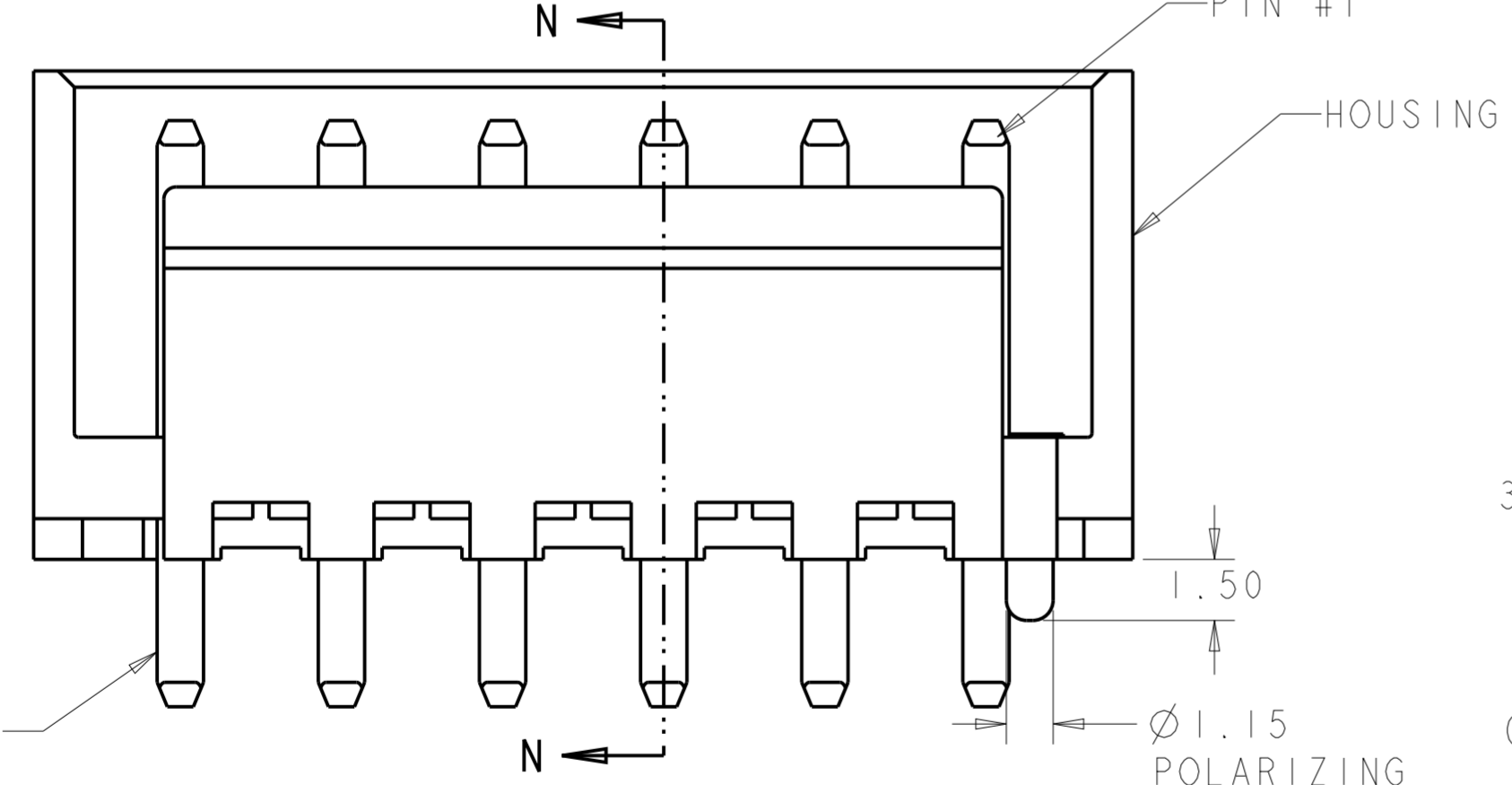
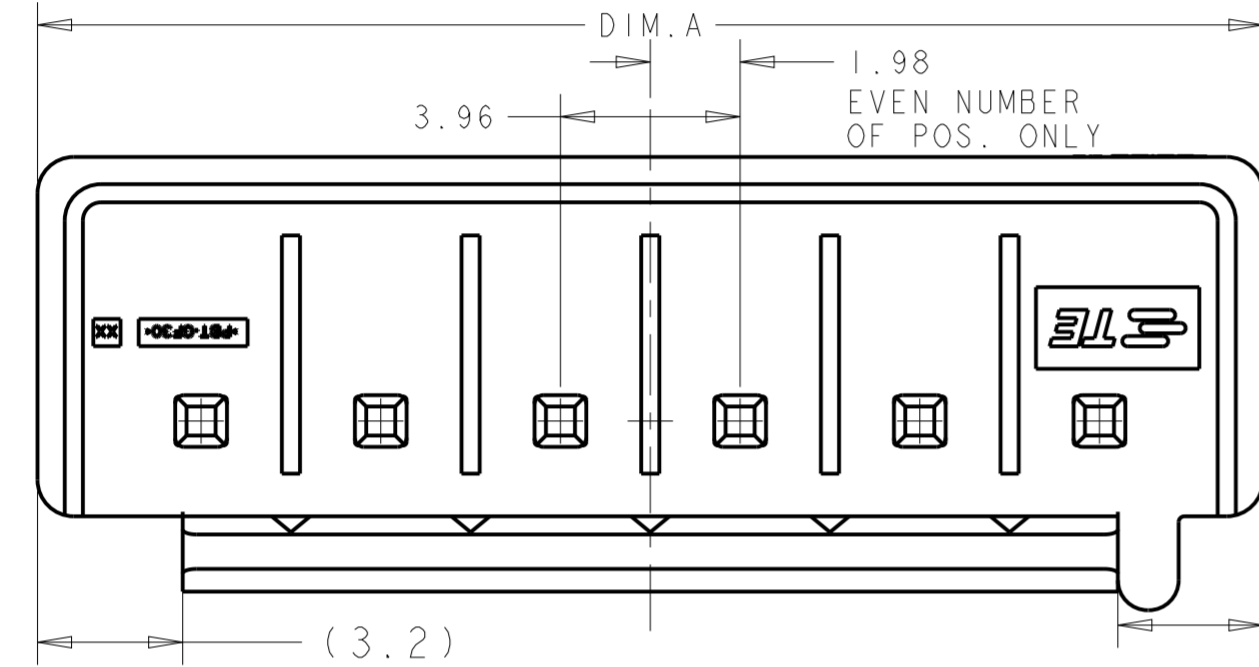
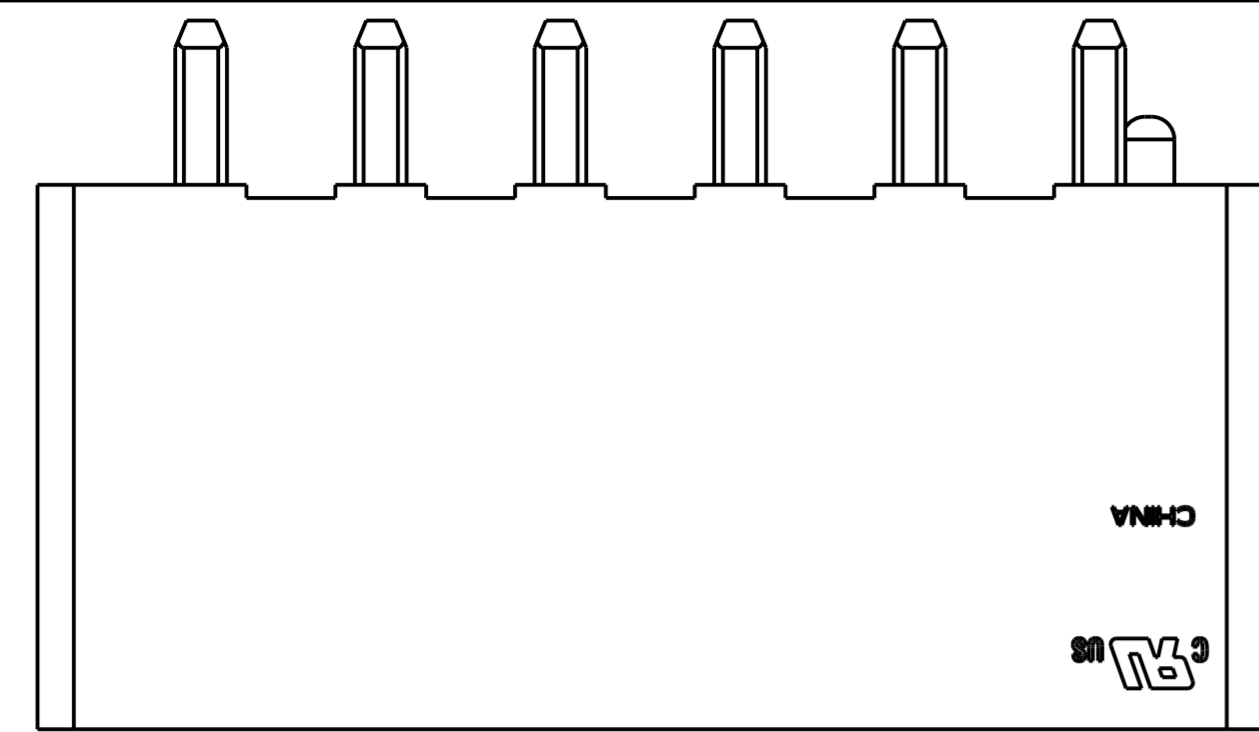


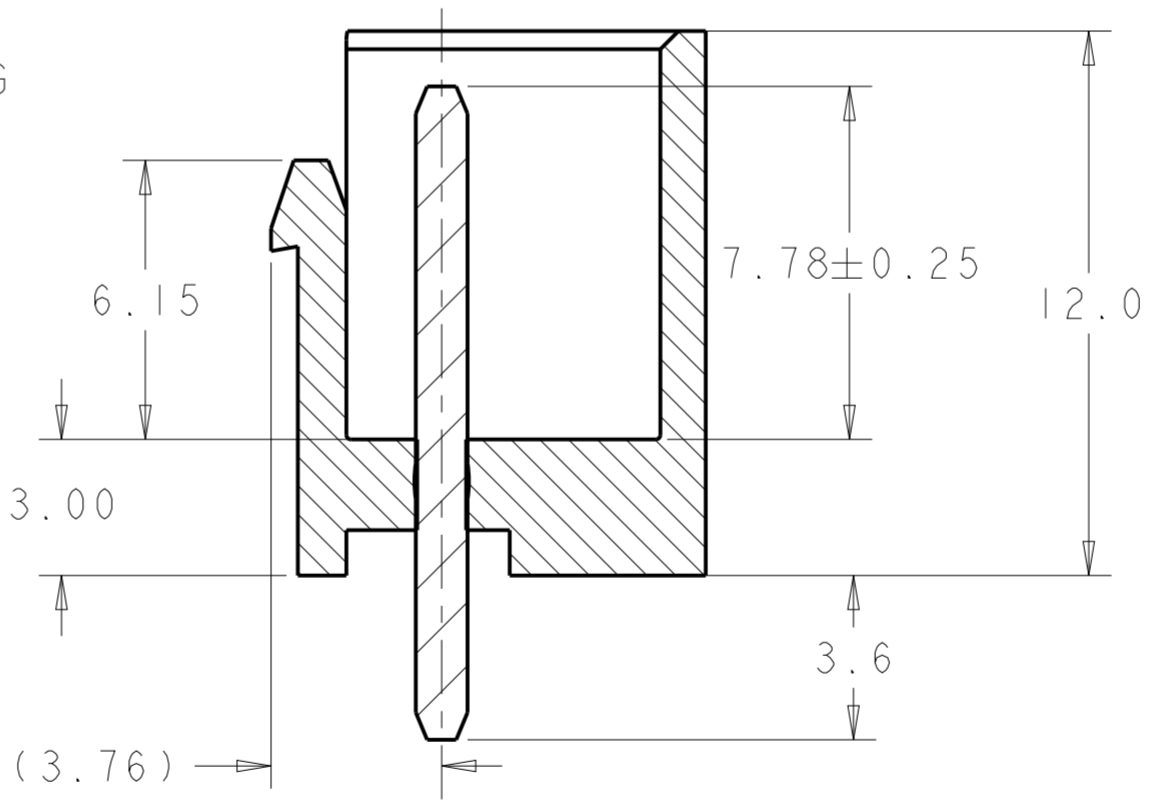
THIS DRAWING IS UNPUBLISHED. RELEASED FOR PUBLICATION 20
 BY - ALL RIGHTS RESERVED.

LOC	DIST	REVISIONS					
GP	00	P	LTR	DESCRIPTION	DATE	DWN	APVD
		D4		REVISED PER ECR-20-100406	16SEP2020	WH	DZ

- 1 MATERIAL: HOUSING; PBT GLASS FILLED UL94V-0
PIN; BRASS
- 2 FINISH: PIN, 1.0µm MIN TIN OVER 0.8µm MIN NICKEL.
- 3 SKETCH SHOWS NO PIN MISSING.
- 4 PRELIMINARY-NOT FOR PRODUCTION



RECOMMENDED PCB LAYOUT
SCALE 4:1



SECTION N-N

COLOR	DIM.A	OMIT PIN#	POS.	ASSEMBLY PART NO.	
WHITE	23.05	2&4	5	5-1877285-5	
WHITE	30.97		6	7	1-1877285-7
WHITE	23.05		4	5	4-1877285-5
WHITE	23.05		3	5	1-1877285-5
BLACK	50.77			12	3-1877285-2
BLACK	46.81			11	3-1877285-1
BLACK	42.85			10	3-1877285-0
BLACK	38.89			9	2-1877285-9
BLACK	34.93			8	2-1877285-8
BLACK	30.97			7	2-1877285-7
BLACK	27.01			6	2-1877285-6
BLACK	23.05			5	2-1877285-5
BLACK	19.09			4	2-1877285-4
BLACK	15.13			3	2-1877285-3
BLACK	11.17			2	2-1877285-2
WHITE	50.77			12	1-1877285-2
WHITE	46.81			11	1-1877285-1
WHITE	42.85			10	1-1877285-0
WHITE	38.89			9	1877285-9
WHITE	34.93			8	1877285-8
WHITE	30.97			7	1877285-7
WHITE	27.01			6	1877285-6
WHITE	23.05			5	1877285-5
WHITE	19.09			4	1877285-4
WHITE	15.13			3	1877285-3
WHITE	11.17			2	1877285-2

THIS DRAWING IS A CONTROLLED DOCUMENT.

DIMENSIONS:	TOLERANCES UNLESS OTHERWISE SPECIFIED:	DWN	03OCT2005
mm	0 PLC ±0.50	CHK	03OCT2005
	1 PLC ±0.30	APVD	10SEP2008
	2 PLC ±	PRODUCT SPEC	108-5609
	3 PLC ±	APPLICATION SPEC	114-13265
	4 PLC ±	WEIGHT	-
ANGLES	FINISH	TE Connectivity NAME SHROUDED HEADER ASSEMBLY, 2 THRU 12 POSITION, SINGLE LATCH, 3.96mm PITCH, ECONOMY POWER (EP)	
MATERIAL		SIZE	CAGE CODE
		A2	00779
		DRAWING NO	C-1877285
		RESTRICTED TO	-
		CUSTOMER DRAWING	SCALE - SHEET 1 OF 1 REV D4

X-ON Electronics

Largest Supplier of Electrical and Electronic Components

Click to view similar products for [Headers & Wire Housings](#) category:

Click to view products by [TE Connectivity](#) manufacturer:

Other Similar products are found below :

[892-18-020-10-001101](#) [58102-G61-06LF](#) [582553-1](#) [0009485154](#) [009176003701906](#) [0050291907](#) [LY20-4P-DT1-P1E-BR](#) [02.125.8002.8](#)
[609-3404](#) [61062-3](#) [61082-181009](#) [622-3653LF](#) [63453-116](#) [636-1030](#) [636-1427](#) [636-3427](#) [636-4007](#) [641938-9](#) [641991-4](#) [644827-2](#) [65817-010LF](#) [65817-015LF](#) [65863-015LF](#) [66207-023LF](#) [67095-007LF](#) [67601157](#) [68645-018](#) [68648-049](#) [70.362.1628.0](#) [70-4210](#) [70-4226B](#) [70-4853B](#) [707-5020](#) [707-5028](#) [71.350.2428.0](#) [71918-208LF](#) [71961-016LF](#) [733-134](#) [733-162](#) [754199-000](#) [760-3052](#) [787-8014-00](#) [79531-3000](#)
[FCN-360C032-B](#) [FCN-367T-T012/H](#) [FCN-723D010/2](#) [80.063.4001.1](#) [800-90-001-10-001000](#) [800-90-010-10-002000](#) [801-43-002-10-013000](#)