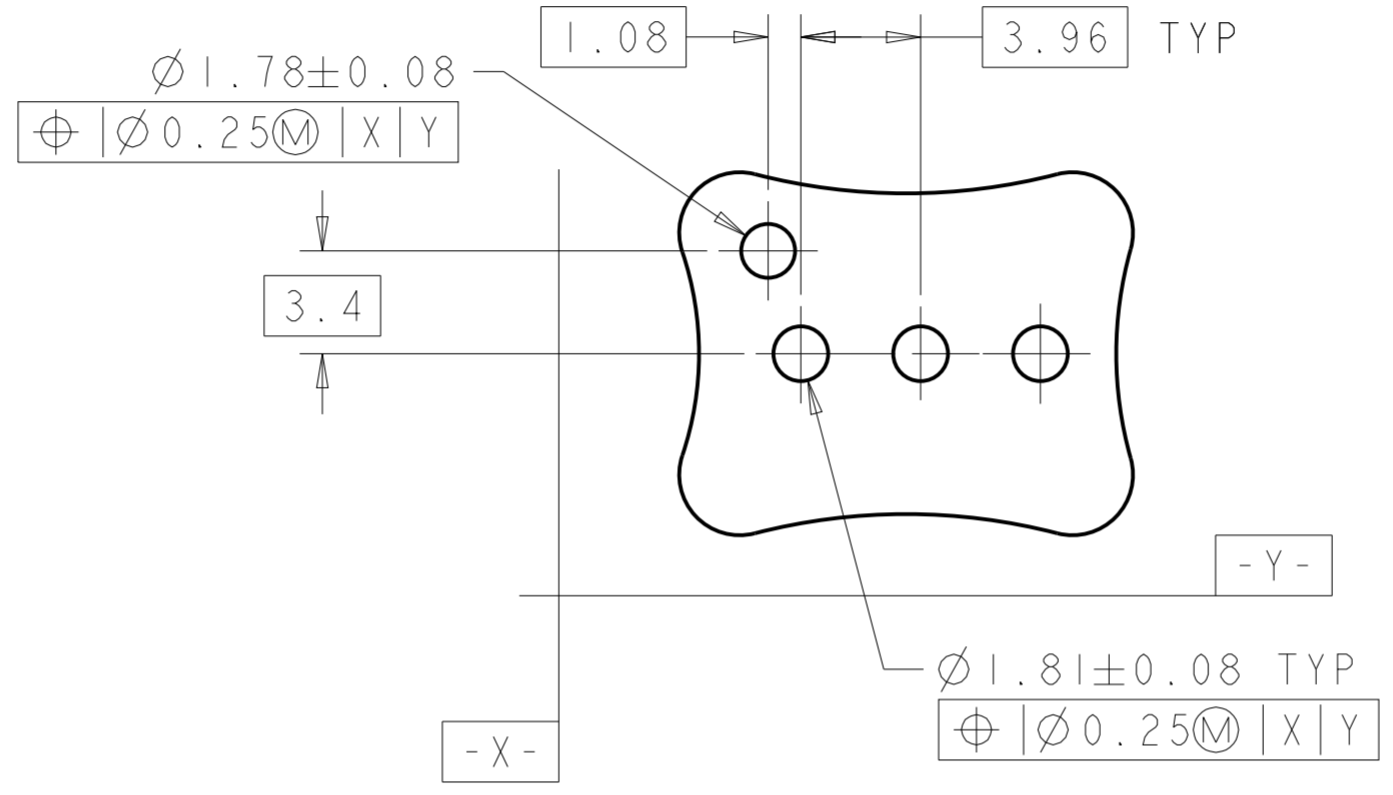
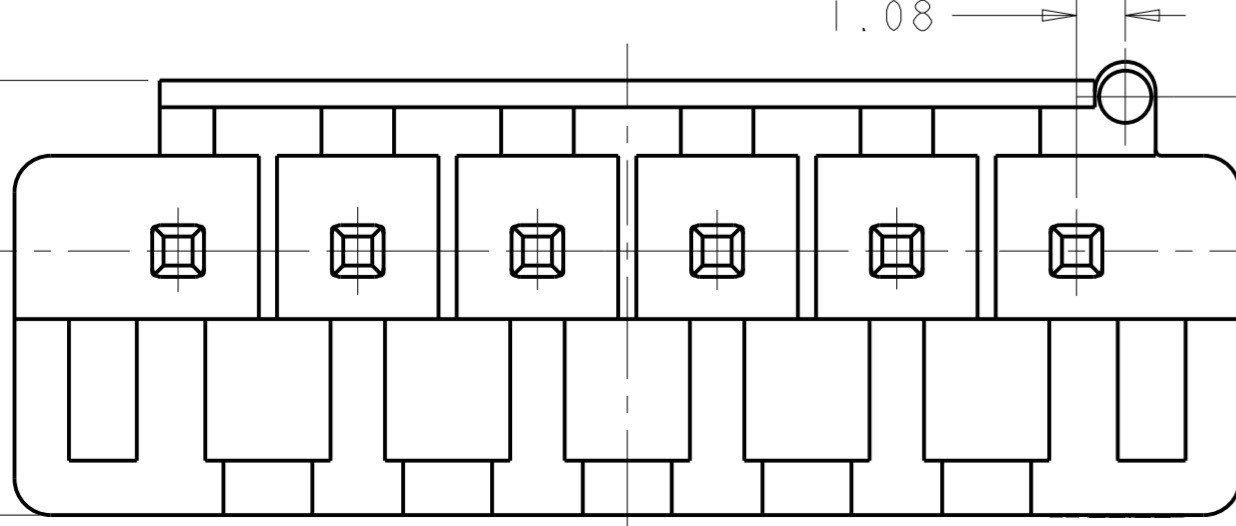
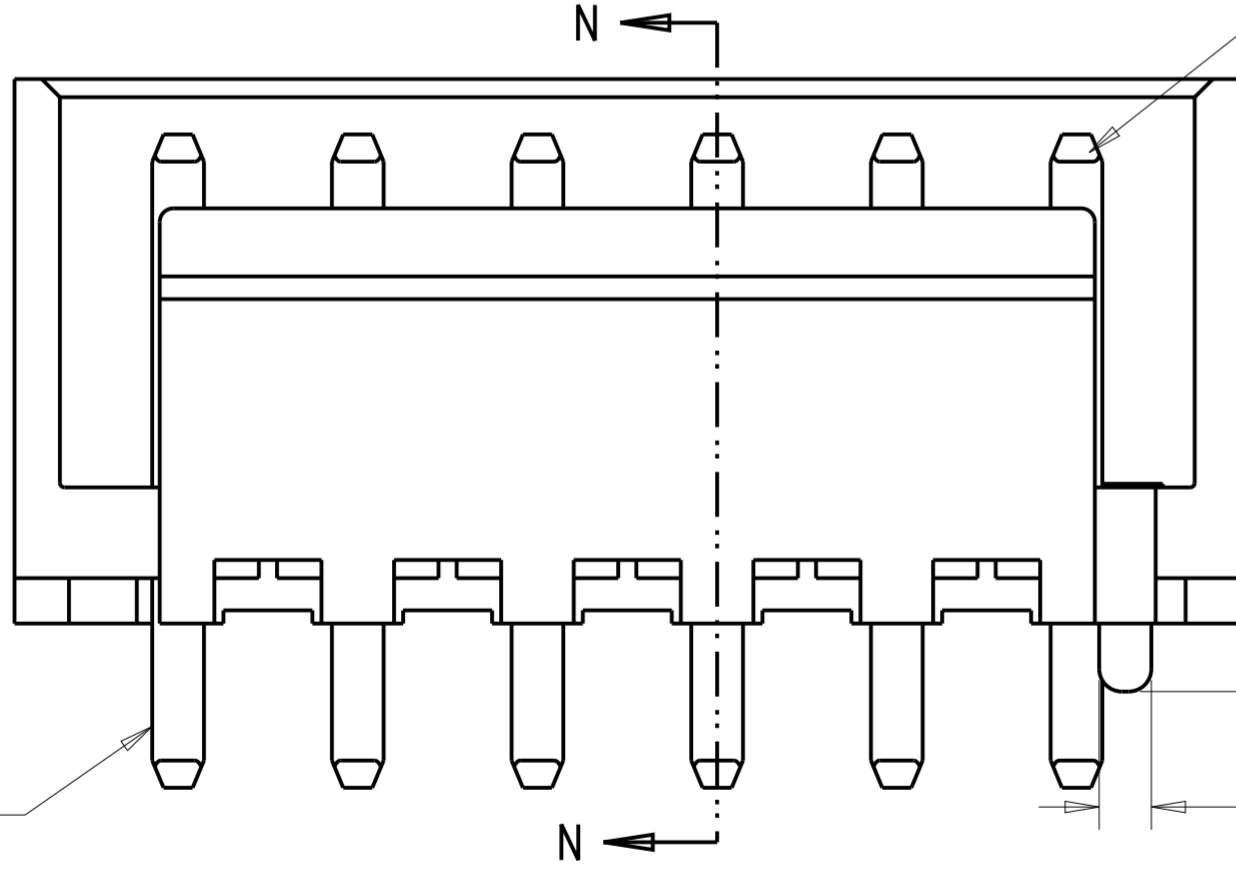
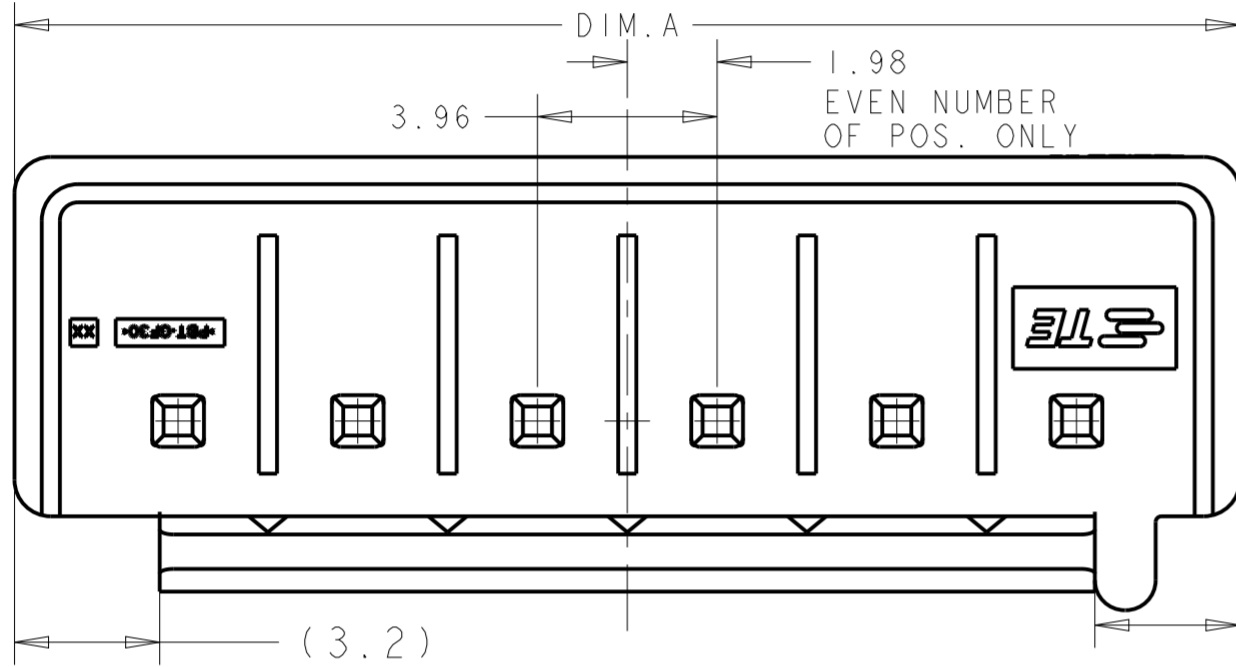
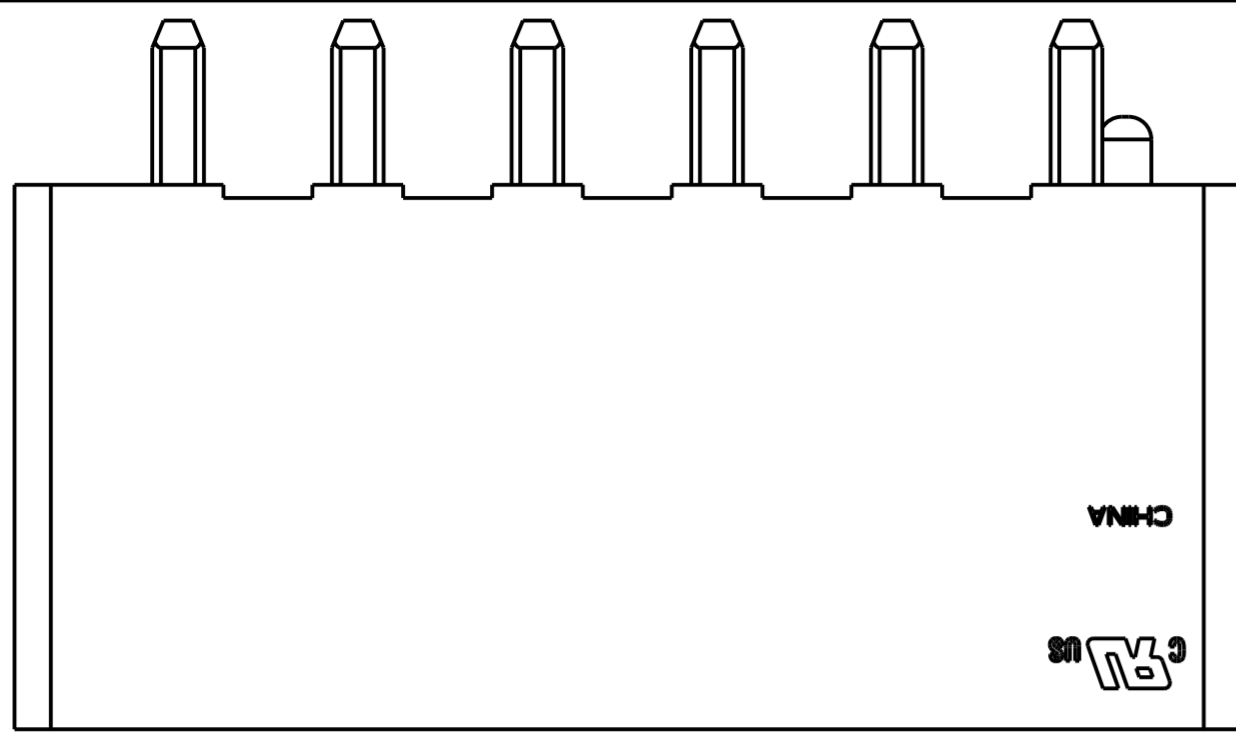


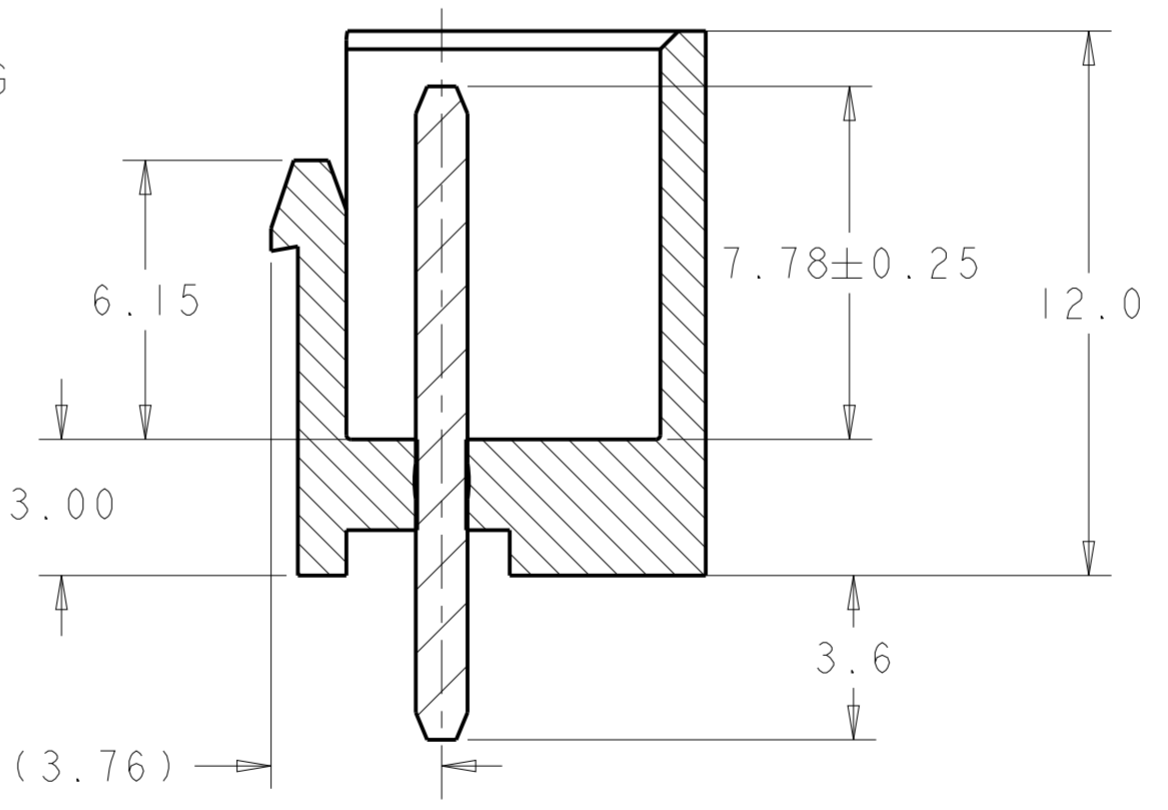
THIS DRAWING IS UNPUBLISHED. RELEASED FOR PUBLICATION 20
 BY - ALL RIGHTS RESERVED.

| LOC | DIST | REVISIONS | | | | | |
|-----|------|-----------|-----|---------------------------|-----------|-----|------|
| GP | 00 | P | LTR | DESCRIPTION | DATE | DWN | APVD |
| | | D4 | | REVISED PER ECR-20-100406 | 16SEP2020 | WH | DZ |

- 1 MATERIAL: HOUSING; PBT GLASS FILLED UL94V-0
PIN; BRASS
- 2 FINISH: PIN, 1.0µm MIN TIN OVER 0.8µm MIN NICKEL.
- 3 SKETCH SHOWS NO PIN MISSING.
- 4 PRELIMINARY-NOT FOR PRODUCTION



RECOMMENDED PCB LAYOUT
SCALE 4:1



SECTION N-N

| COLOR | DIM.A | OMIT PIN# | POS. | ASSEMBLY PART NO. | |
|-------|-------|-----------|------|-------------------|-------------|
| WHITE | 23.05 | 2&4 | 5 | 5-1877285-5 | |
| WHITE | 30.97 | | 6 | 7 | 1-1877285-7 |
| WHITE | 23.05 | | 4 | 5 | 4-1877285-5 |
| WHITE | 23.05 | | 3 | 5 | 1-1877285-5 |
| BLACK | 50.77 | | | 12 | 3-1877285-2 |
| BLACK | 46.81 | | | 11 | 3-1877285-1 |
| BLACK | 42.85 | | | 10 | 3-1877285-0 |
| BLACK | 38.89 | | | 9 | 2-1877285-9 |
| BLACK | 34.93 | | | 8 | 2-1877285-8 |
| BLACK | 30.97 | | | 7 | 2-1877285-7 |
| BLACK | 27.01 | | | 6 | 2-1877285-6 |
| BLACK | 23.05 | | | 5 | 2-1877285-5 |
| BLACK | 19.09 | | | 4 | 2-1877285-4 |
| BLACK | 15.13 | | | 3 | 2-1877285-3 |
| BLACK | 11.17 | | | 2 | 2-1877285-2 |
| WHITE | 50.77 | | | 12 | 1-1877285-2 |
| WHITE | 46.81 | | | 11 | 1-1877285-1 |
| WHITE | 42.85 | | | 10 | 1-1877285-0 |
| WHITE | 38.89 | | | 9 | 1877285-9 |
| WHITE | 34.93 | | | 8 | 1877285-8 |
| WHITE | 30.97 | | | 7 | 1877285-7 |
| WHITE | 27.01 | | | 6 | 1877285-6 |
| WHITE | 23.05 | | | 5 | 1877285-5 |
| WHITE | 19.09 | | | 4 | 1877285-4 |
| WHITE | 15.13 | | | 3 | 1877285-3 |
| WHITE | 11.17 | | | 2 | 1877285-2 |

THIS DRAWING IS A CONTROLLED DOCUMENT.

| | | | |
|----------------|--|---------------------------|---|
| DIMENSIONS: mm | TOLERANCES UNLESS OTHERWISE SPECIFIED: | DWN W.G. LENKER 03OCT2005 | TE Connectivity |
| 0 PLC ± | 1 PLC ±0.50 | CHK R. WALKER 03OCT2005 | |
| 2 PLC ±0.30 | 3 PLC ± | APVD S. RIDGILL 10SEP2008 | |
| 4 PLC ± | ANGLES ± | FINISH ± | |
| MATERIAL | 1 | 2 | NAME SHROUDED HEADER ASSEMBLY, 2 THRU 12 POSITION, SINGLE LATCH, 3.96mm PITCH, ECONOMY POWER (EP) SIZE CAGE CODE DRAWING NO RESTRICTED TO A200779 C-1877285 WEIGHT - CUSTOMER DRAWING SCALE - SHEET 1 OF 1 REV D4 |

X-ON Electronics

Largest Supplier of Electrical and Electronic Components

Click to view similar products for [Headers & Wire Housings](#) category:

Click to view products by [TE Connectivity](#) manufacturer:

Other Similar products are found below :

[892-18-020-10-001101](#) [58102-G61-06LF](#) [582553-1](#) [0009485154](#) [009176003701906](#) [0050291907](#) [LY20-4P-DT1-P1E-BR](#) [02.125.8002.8](#)
[609-3404](#) [61062-3](#) [61082-181009](#) [622-3653LF](#) [63453-116](#) [636-1030](#) [636-1427](#) [636-3427](#) [636-4007](#) [641938-9](#) [641991-4](#) [644827-2](#) [65817-](#)
[010LF](#) [65817-015LF](#) [65863-015LF](#) [66207-023LF](#) [67095-007LF](#) [67601157](#) [68645-018](#) [68648-049](#) [70.362.1628.0](#) [70-4210](#) [70-4226B](#) [70-](#)
[4853B](#) [707-5020](#) [707-5028](#) [71.350.2428.0](#) [71918-208LF](#) [71961-016LF](#) [733-134](#) [733-162](#) [754199-000](#) [760-3052](#) [787-8014-00](#) [79531-3000](#)
[FCN-360C032-B](#) [FCN-367T-T012/H](#) [FCN-723D010/2](#) [80.063.4001.1](#) [800-90-001-10-001000](#) [800-90-010-10-002000](#) [801-43-002-10-013000](#)