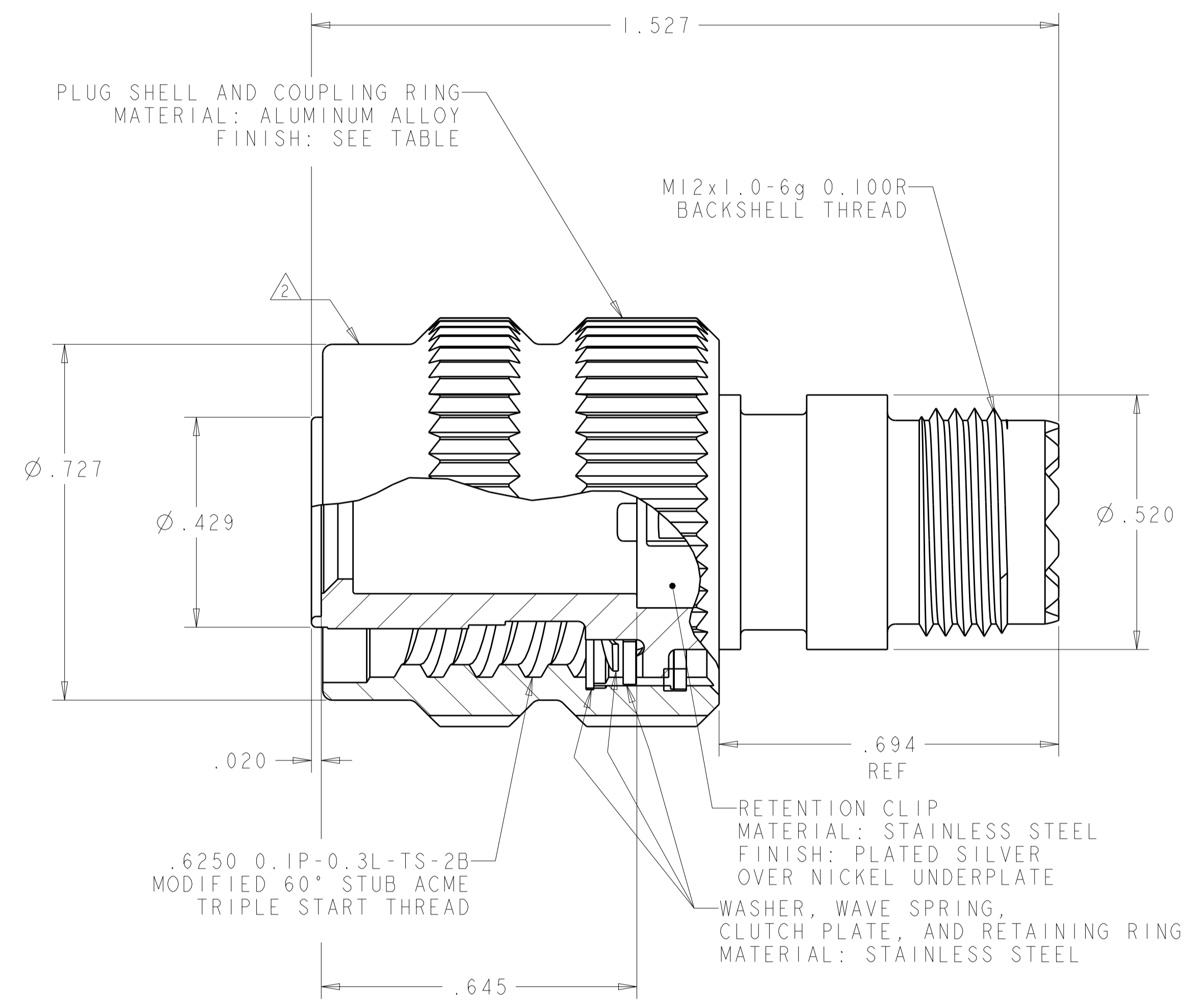
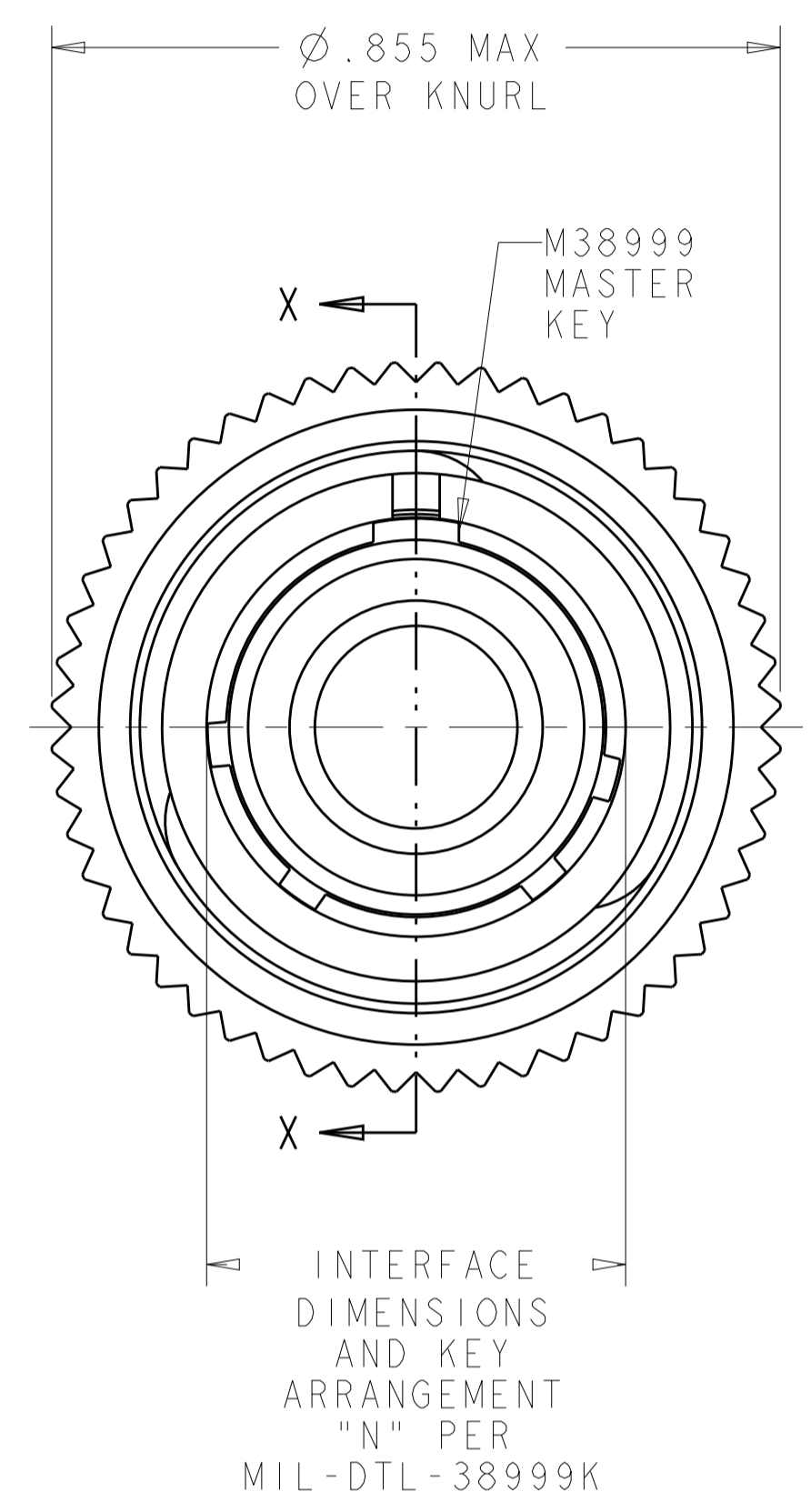
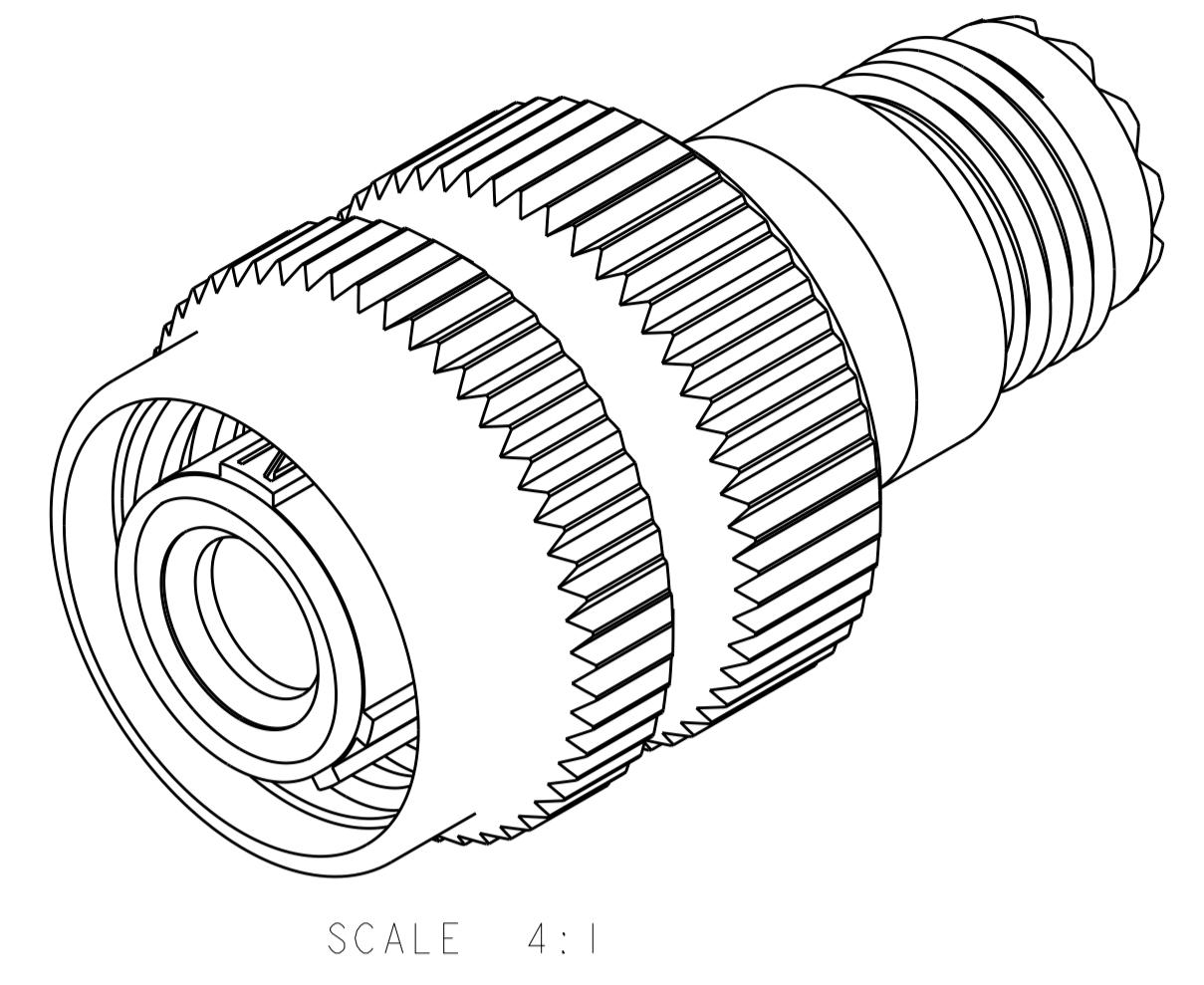


LOC		DIST		REVISIONS			
P	LTN	DESCRIPTION	DATE	DWN	APVD		
D		REV PER ECO 13-012300	7-31-13	CT	DM		



SECTION X-X



- THIS CONNECTOR ACCEPTS TE QUADRAX SOCKET ASSEMBLY: PART NUMBER 1445693-3.
- PART IS MARKED WITH TE PART NO. (SEE TABLE), Tyco Electronics OR TE, TE CAGE CODE, AND DATE CODE.
- OPERATING TEMPERATURE RANGE: -65°C TO +125°C (-85°F TO +257°F)
- THE CONNECTOR QUALIFICATION WAS COMPLETED PER TE SPEC. 108-2199. THE QUADRAX CONTACTS ARE QUALIFIED PER TE SPEC. 108-2131. THE REFERENCE TEST REPORTS ARE TE 501-660 FOR THE CONNECTOR AND 501-574 FOR THE CONTACTS WHICH ARE SAME AS ARINC 600-13, DRAFT 2 OF SUPPLIMENT 14 (AIR TRANSPORT AVIONICS EQUIPMENT INTERFACES).

OLIVE DRAB	SOLD SEPARATELY	B	1-1877384-2
OLIVE DRAB	SOLD SEPARATELY	A	1-1877384-1
OLIVE DRAB	SOLD SEPARATELY	N	1-1877384-0
ELECTROLESS NICKEL	SOLD SEPARATELY	B	1877384-9
ELECTROLESS NICKEL	SOLD SEPARATELY	A	1877384-8
ELECTROLESS NICKEL	SOLD SEPARATELY	N	1877384-7
OLIVE DRAB	PROVIDED UN-ASSEMBLED	B	1877384-6
OLIVE DRAB	PROVIDED UN-ASSEMBLED	A	1877384-5
OLIVE DRAB	PROVIDED UN-ASSEMBLED	N	1877384-4
ELECTROLESS NICKEL	PROVIDED UN-ASSEMBLED	B	1877384-3
ELECTROLESS NICKEL	PROVIDED UN-ASSEMBLED	A	1877384-2
ELECTROLESS NICKEL	PROVIDED UN-ASSEMBLED	N	1877384-1
FINISH	QUADRAX CONTACT 1445693-3 QTY=1	SHELL KEYING ARRANGEMENT	PART NUMBER

THIS DRAWING IS A CONTROLLED DOCUMENT. DWN: R FLAIG 10OCT2005
 CHK: L OH 10OCT2005
 APVD: L OH 10OCT2005

STE TE Connectivity

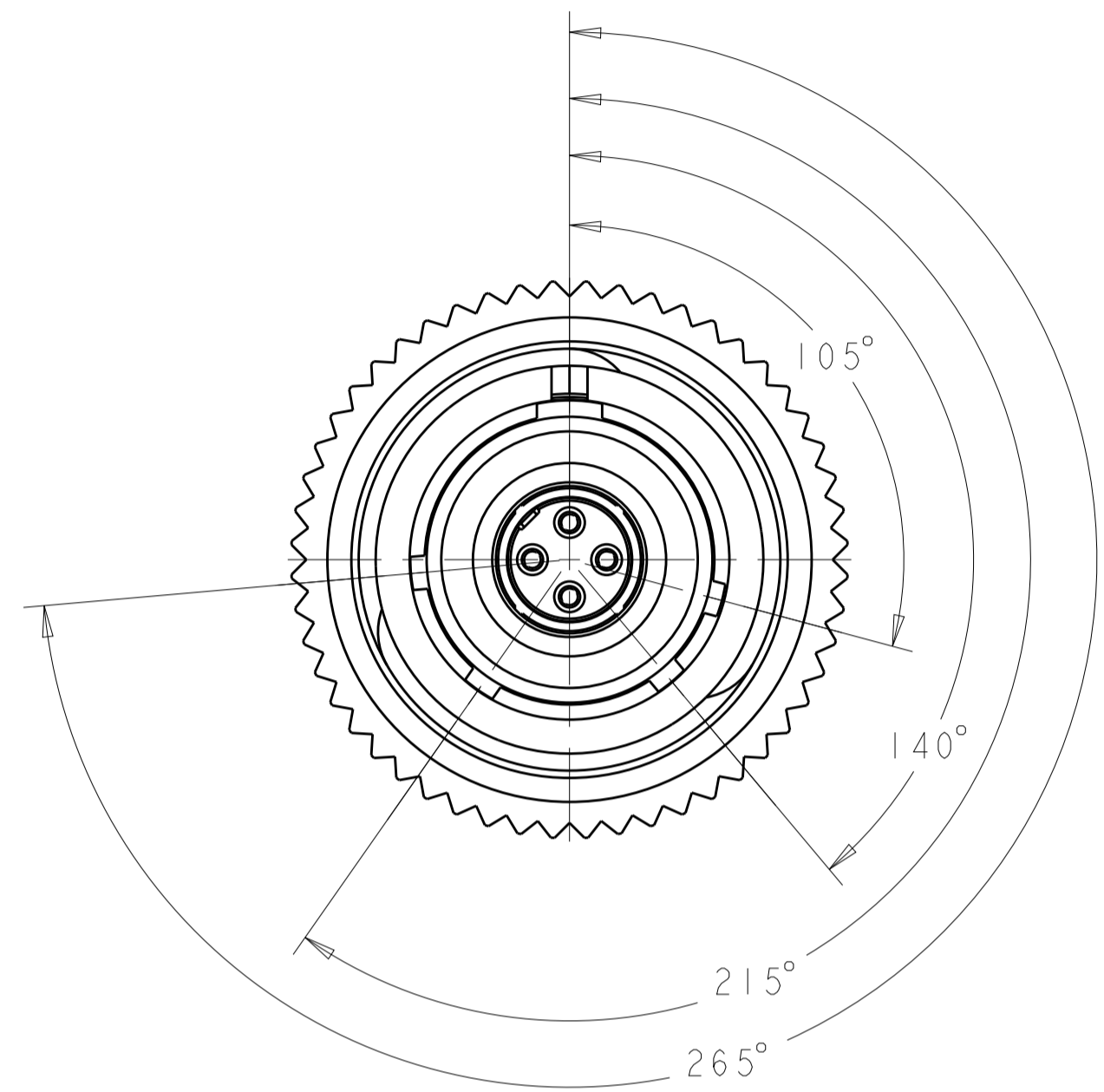
NAME: ASSY, PLUG, SIZE 9, 1Q1 M38999 STYLE, SERIES 111

SIZE: A1 CAGE CODE: 100779 DRAWING NO: 1877384

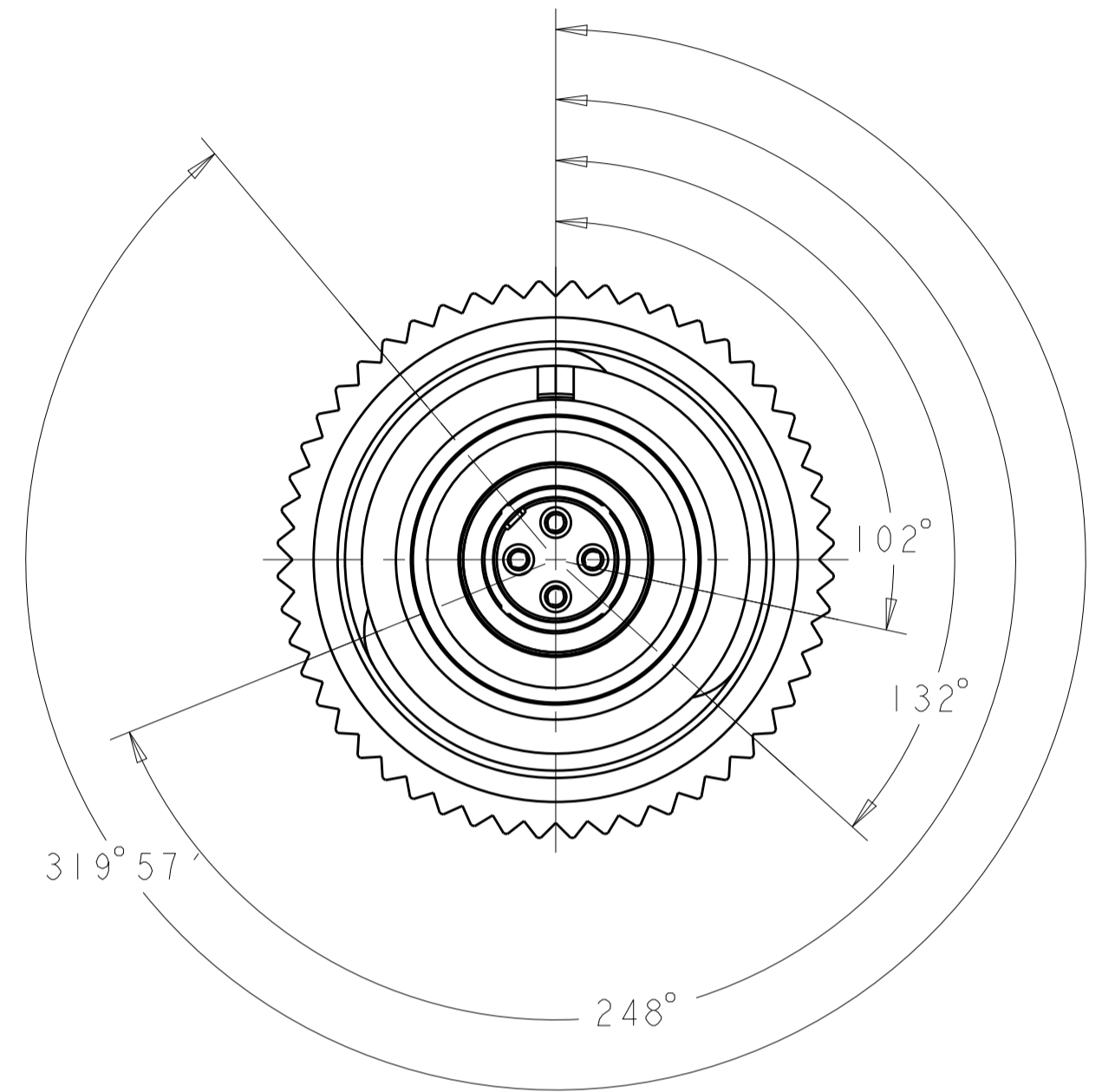
RESTRICTED TO: -

CUSTOMER DRAWING SCALE: 5:1 SHEET: 1 OF 2 REV: D

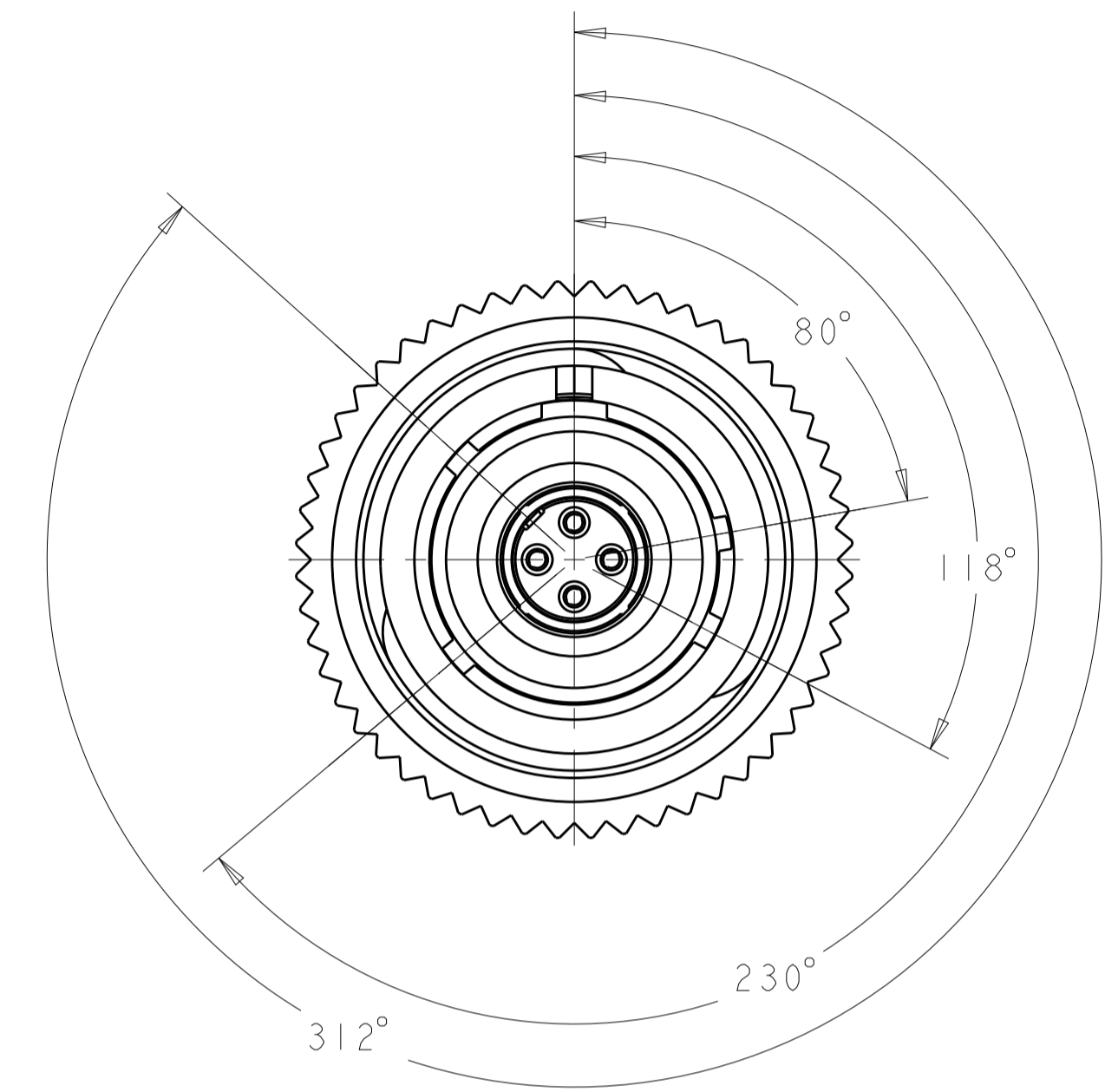
LOC		DIST		REVISIONS			
P	LTN	DESCRIPTION	DATE	DWN	APVD		
-	-	SEE SHEET 1	-	-	-		



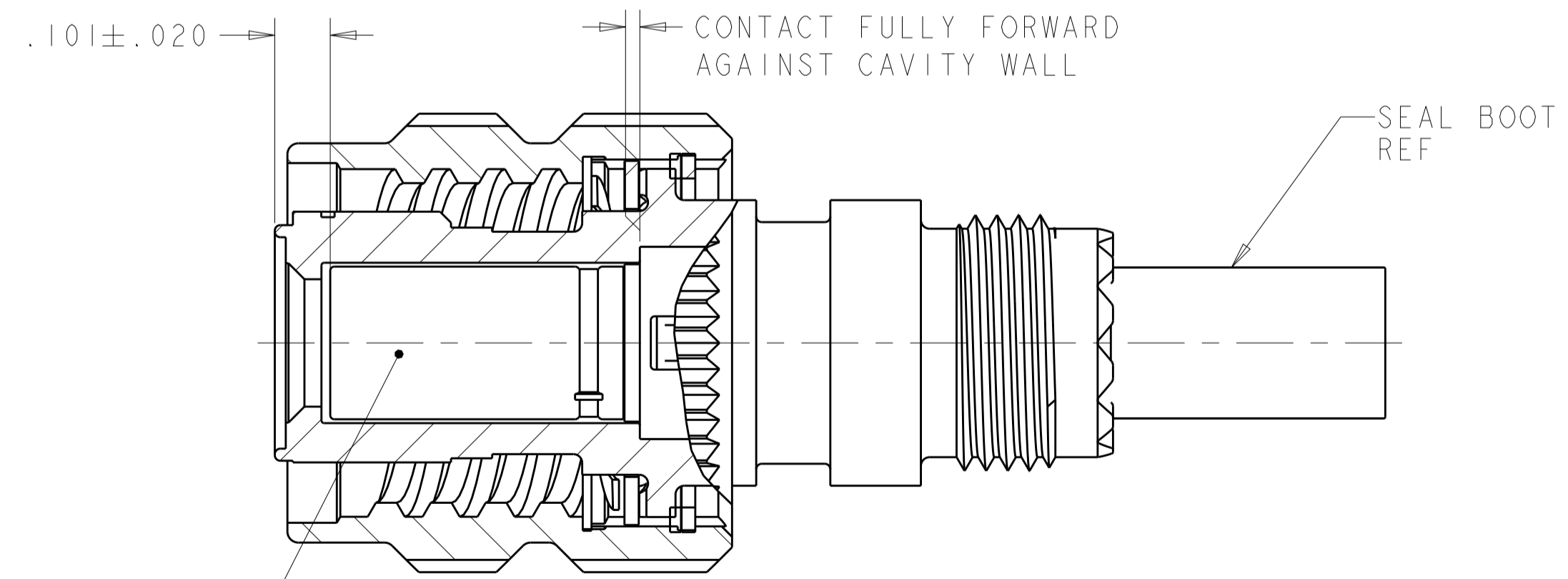
"N" KEY POLARIZATION



"A" KEY POLARIZATION



"B" KEY POLARIZATION



QUADRAX SOCKET ASSY, 1445693-3
 SHOWN FOR REF ONLY.

SECTION X-X

THIS DRAWING IS A CONTROLLED DOCUMENT.		DWN R FLAIG 10OCT2005	TE Connectivity
DIMENSIONS: INCHES		CHK L OH 10OCT2005	
		APVD L OH 10OCT2005	
TOLERANCES UNLESS OTHERWISE SPECIFIED: 0 PLC ±.1 1 PLC ±.1 2 PLC ±.01 3 PLC ±.005 4 PLC ±.0020 ANGLES ±.1°		PRODUCT SPEC	NAME ASSY, PLUG, SIZE 9, 101 M38999 STYLE, SERIES 111
MATERIAL		WEIGHT	RESTRICTED TO
FINISH		CUSTOMER DRAWING	SCALE 4:1 SHEET 2 OF 2 REV D

X-ON Electronics

Largest Supplier of Electrical and Electronic Components

Click to view similar products for [Rack & Panel Connectors](#) category:

Click to view products by [TE Connectivity](#) manufacturer:

Other Similar products are found below :

[00171410002](#) [00171420202](#) [00171440002](#) [02-014-013-5200-000](#) [613467-000](#) [CTJ112E01E-513](#) [CTJ116E03A-513](#) [66020-2](#) [CW8958-000](#)
[699886-000](#) [D250-50632](#) [70.400.3240.0](#) [70.955.2453.3](#) [733753-000](#) [F22831-000](#) [780-522-DPX34RG8-02](#) [8660-501](#) [87.060.0053.0](#)
[900709N001](#) [928358-1](#) [D-659-0061](#) [1-445717-6](#) [1484469-2](#) [1604997-2](#) [MTC100-BF1-P31CS015](#) [MTC100-KT2-0083](#) [MTC100-KT2-0123-](#)
[003](#) [MTC100-YA1-005](#) [MTCQKT1R2PGCA](#) [MTCR-103-04S](#) [MTCX1X-100-100CS025](#) [1738331-1](#) [1757667-1](#) [1811481-1](#) [1883433-1](#)
[201046-7](#) [202648-4](#) [205269-1](#) [213364-1](#) [226503-000](#) [937028-164](#) [1663130-2](#) [172305-4](#) [AC-660022-701BP](#) [F36711-000](#) [202355-2](#) [202356-](#)
[2](#) [G16S-A](#) [G20S-AB](#) [CHA-0017-003](#)