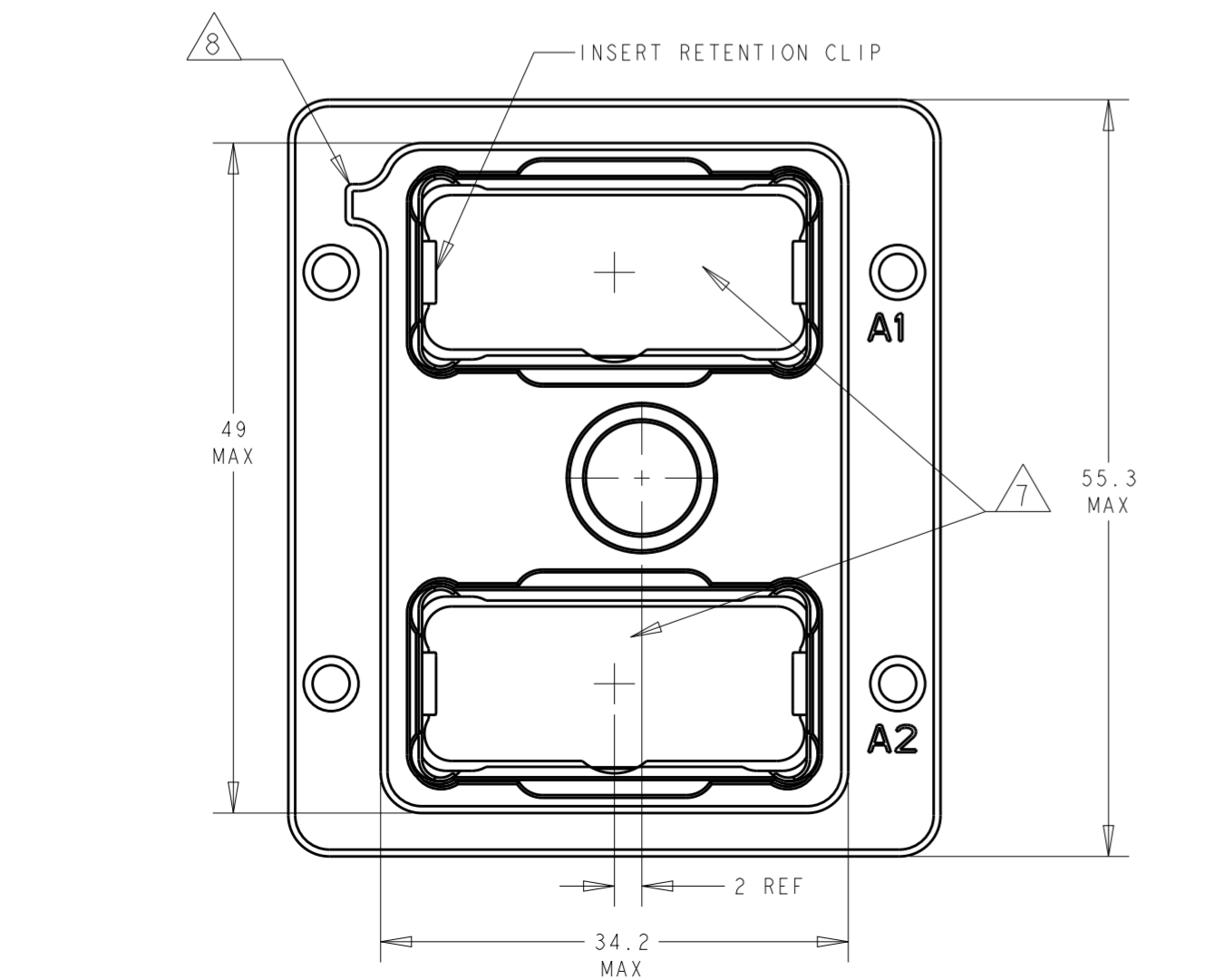
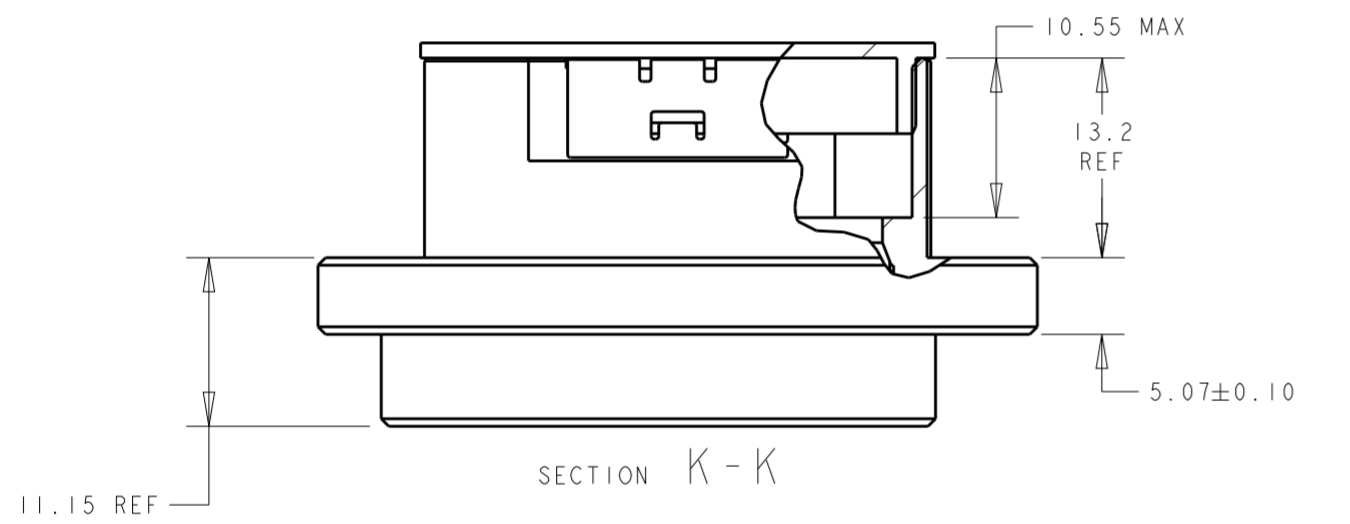
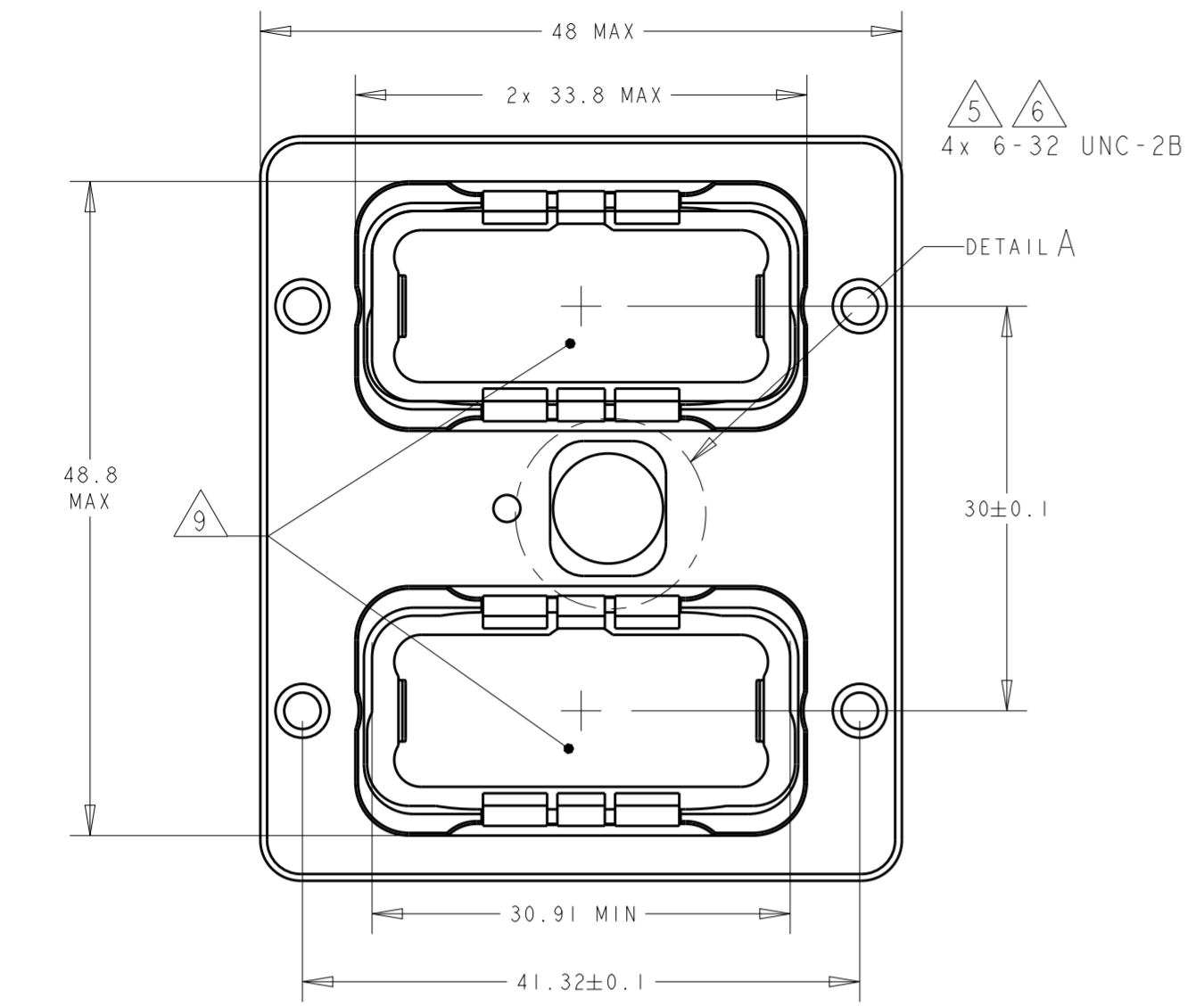
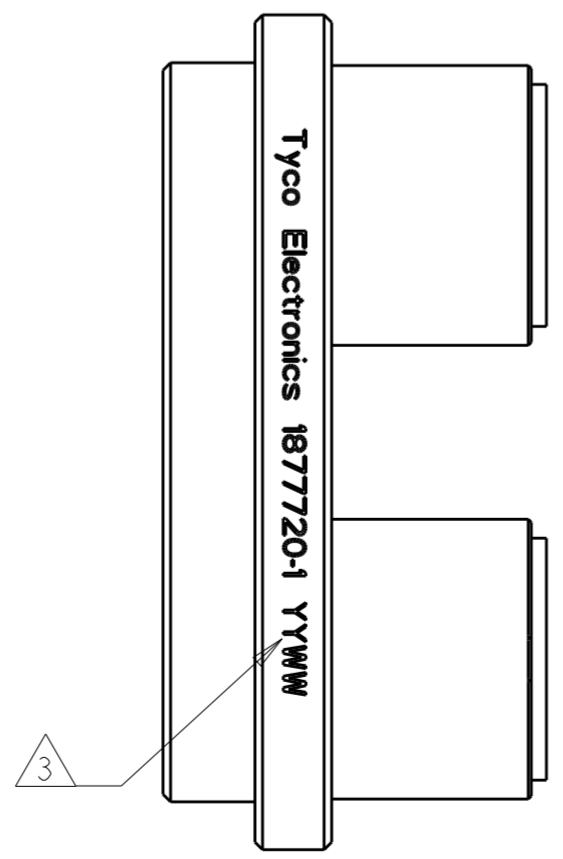
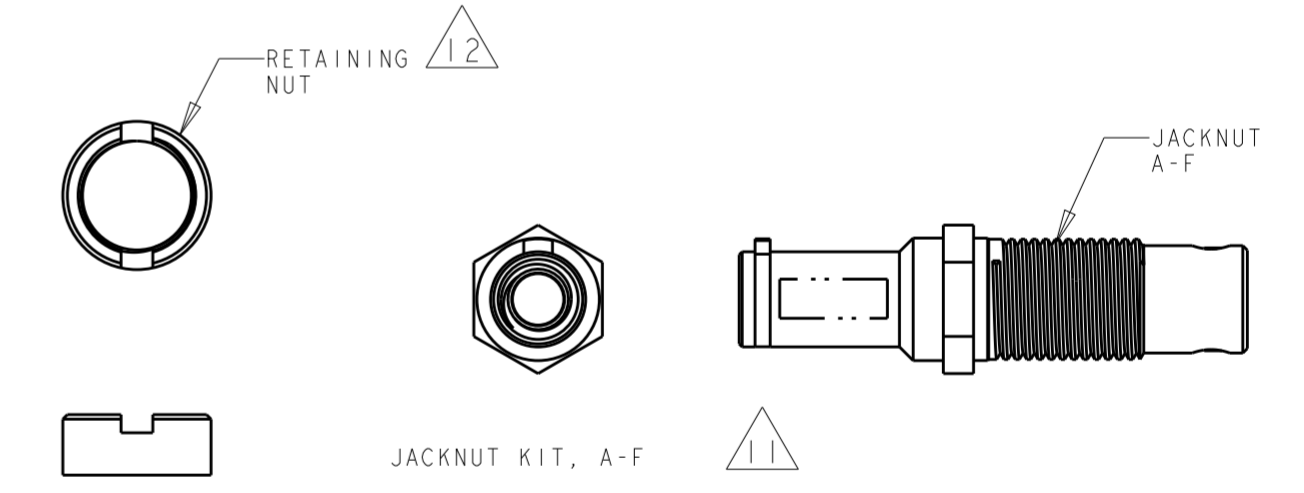
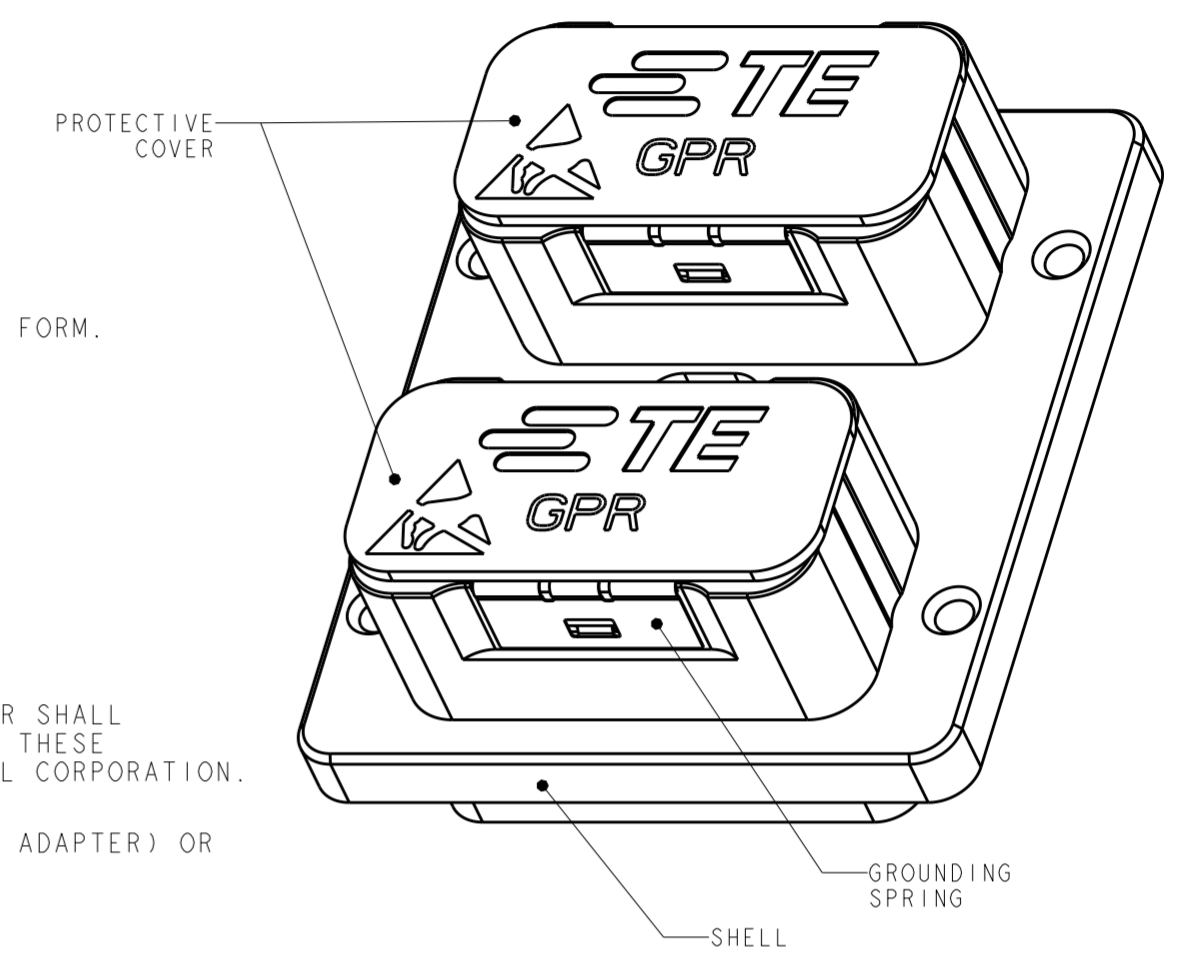


THIS DRAWING IS UNPUBLISHED. RELEASED FOR PUBLICATION 20
 © COPYRIGHT 20 BY - ALL RIGHTS RESERVED.

REVISIONS				
P	LTR	DESCRIPTION	DATE	APVD
D		REV PER ECO 17-008683	7-19-17	CT EO



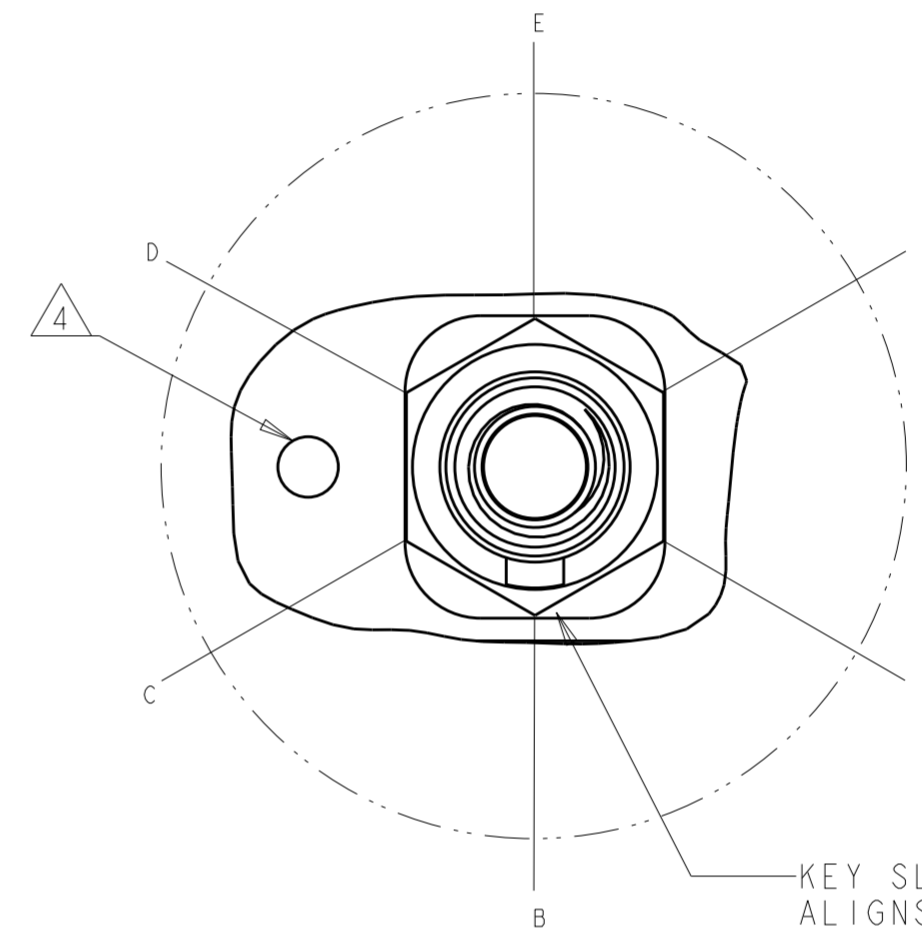
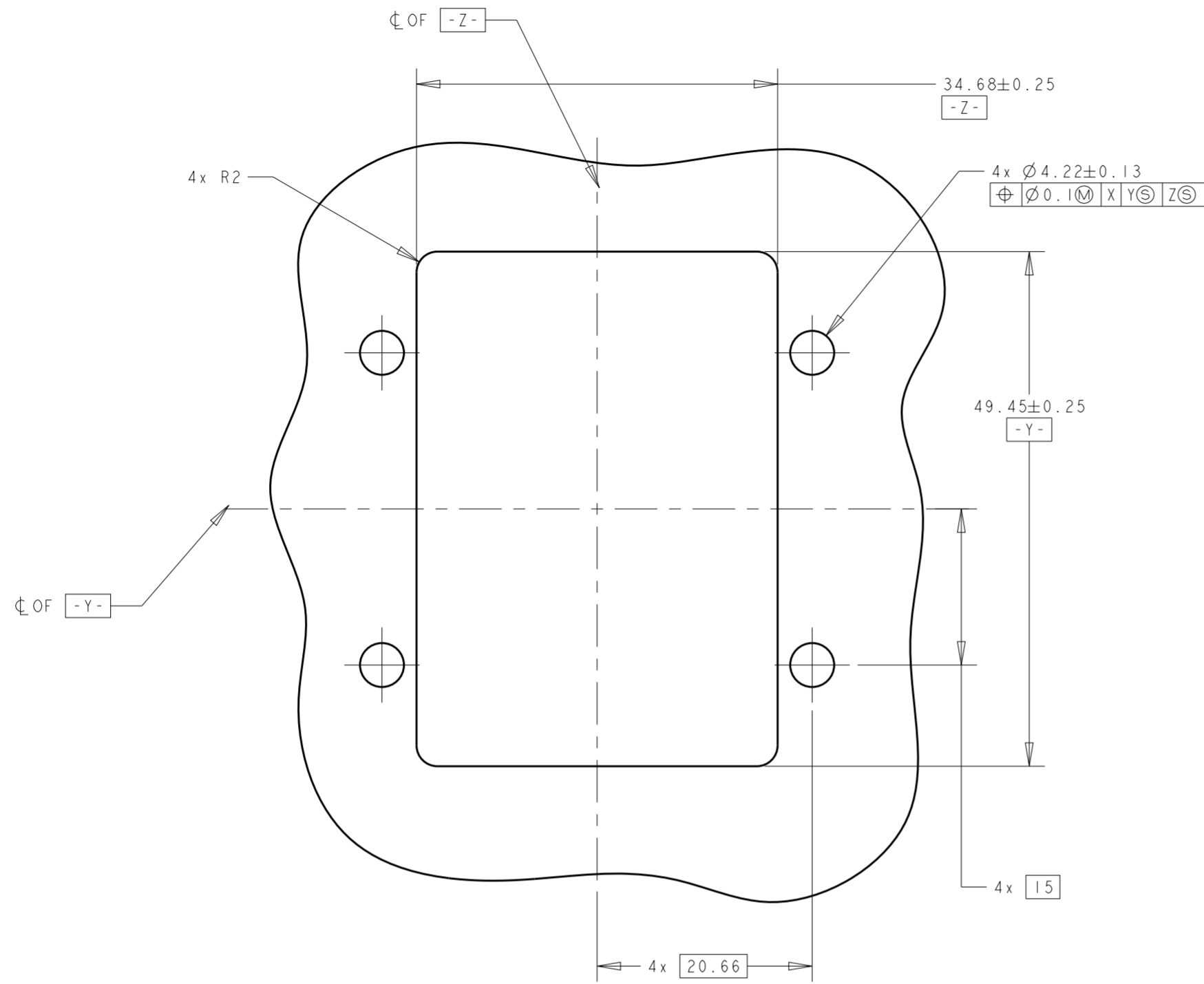
- 1 SHELL: ALUMINUM ALLOY 6061 T651
 INSERT RETENTION CLIP & GROUNDING SPRING: COPPER ALLOY PER ASTM B194
 JACKNUT & RETAINING NUT: STAINLESS STEEL PER AISI 316
 JACKNUT SPRING: STAINLESS STEEL PER AISI 302
 PROTECTIVE COVER: ANTI-STATIC THERMOPLASTIC ELASTOMER PER ASTM D5593, COLOR: BLACK.
- 2 SHELL: ELECTROLESS NICKEL PER SAE AMS-C-26074, CLASS 1
 GROUNDING SPRING: ELECTROLYTIC NICKEL PER SAE AMS-QQ-290
- 3 DATE CODE - YEAR & WEEK (YY WW).
- 4 INDEXING POINT FOR POLARIZATION.
- 5 6-32 SCREWS ARE REQUIRED FOR PANEL MOUNTING (NOT INCLUDED).
 SCREW HEAD DIAMETER: 8.5 MAX
 RECOMMENDED TORQUE 1.1 N·m [10 in·lb] MIN
- 6 6-32 THREADED HOLES ARE SELF-LOCKING, HAVING THE SPIRALOCK® THREAD FORM.
 SPIRALOCK® IS A REGISTERED TRADEMARK OF SPIRALOCK CORPORATION.
- 7 SHELL CAVITY FOR GPRB SERIES INSERTS WITH KEYING CODE A.
- 8 POLARIZATION FEATURE TO PREVENT FRONT PANEL MOUNTING.
- 9 PROTECTIVE COVER NOT SHOWN FOR CLARITY.
- 10 PANEL THICKNESS: 5 MAX
- 11 THE JACKNUT AND RETAINING NUT ARE SHIPPED UNASSEMBLED. THE CUSTOMER SHALL APPLY LOCTITE® PRODUCT 272 THREAD LOCKING ADHESIVE WHEN INSTALLING THESE ON THE SHELL ASSEMBLY. LOCTITE® IS A REGISTERED TRADEMARK OF HENKEL CORPORATION.
- 12 A SPANNER WRENCH TOOL, TYCO ELECTRONICS P/N 1738220-1 (WITH 1/4-IN ADAPTER) OR 1738221-1 (WITH T-HANDLE), IS USED TO LOCK THE RETAINING NUT. RECOMMENDED TORQUE: 1.5 N·m [13 in·lb].
- 13. PITCH FOR SIDE-BY-SIDE MOUNTING: 55.8mm MIN.
- 14. THIS PRODUCT IS SOLD BY TYCO ELECTRONICS UNDER A LICENSE FROM RADIAL SA.



THIS DRAWING IS A CONTROLLED DOCUMENT.		DWN BW	24MAY2005	TE Connectivity	
DIMENSIONS: mm		CHK JPM	24MAY2005		
TOLERANCES UNLESS OTHERWISE SPECIFIED:		APVD JPM	24MAY2005	NAME RECEPTACLE SHELL KIT, VERTICAL, REAR PANEL MOUNT, WITH A-F JACKNUT, GPRB2	
0 PLC ±0.2		PRODUCT SPEC		SIZE A2	
1 PLC ±0.2		APPLICATION SPEC		CAGE CODE -	
2 PLC ±0.2		WEIGHT		DRAWING NO C-1877720	
3 PLC ±		CUSTOMER DRAWING		RESTRICTED TO -	
4 PLC ±		SCALE 2:1		SHEET 1 OF 2	
ANGLES ±		SHEET		REV D	
FINISH		REV		D	

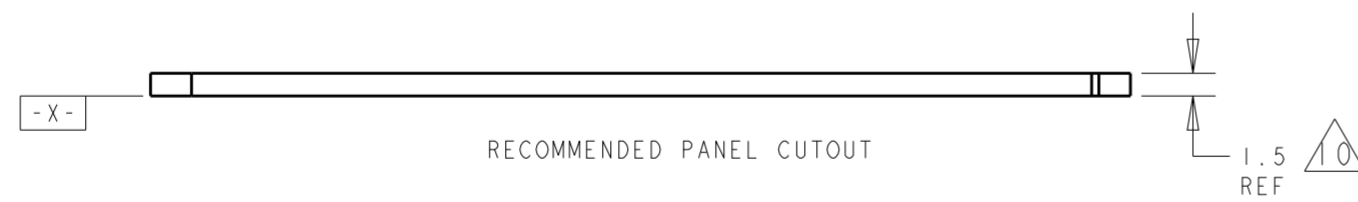
THIS DRAWING IS UNPUBLISHED. RELEASED FOR PUBLICATION 20
 © COPYRIGHT 20 BY - ALL RIGHTS RESERVED.

REVISIONS				
P	LTR	DESCRIPTION	DATE	APVD
-	-	SEE SHEET 1	-	-



KEY SLOT OF A-F JACKSCREW
 ALIGNS WITH THE CORNER POINTS
 OF THE POLARIZING HEX
 (SHOWN IN POSITION B)

DETAIL A - JACKNUT KIT ASSEMBLED
 SCALE 4:1



THIS DRAWING IS A CONTROLLED DOCUMENT.		DWN BW	24MAY2005	TE Connectivity	
DIMENSIONS: mm		CHK JPM	24MAY2005		
TOLERANCES UNLESS OTHERWISE SPECIFIED:		APVD JPM	24MAY2005	NAME RECEPTACLE SHELL KIT, VERTICAL, REAR PANEL MOUNT, WITH A-F JACKNUT, GPRB2	
0 PLC ±0.2		PRODUCT SPEC		SIZE A2	
1 PLC ±0.2		APPLICATION SPEC		CAGE CODE -	
2 PLC ±0.2		WEIGHT		DRAWING NO. C-1877720	
3 PLC ±		CUSTOMER DRAWING		RESTRICTED TO -	
4 PLC ±		SCALE 3:1		SHEET 2 OF 2	
ANGLES ±		REV D		REV D	
FINISH -		REV D		REV D	

X-ON Electronics

Largest Supplier of Electrical and Electronic Components

Click to view similar products for [Rack & Panel Connectors](#) category:

Click to view products by [TE Connectivity](#) manufacturer:

Other Similar products are found below :

[00170420102](#) [00171420202](#) [00171440002](#) [008026165000265](#) [02-014-013-5200-000](#) [613467-000](#) [CTJ112E01E-513](#) [CTJ116E03A-513](#)
[M81714/63-22S L/C](#) [M81714/65-12-1](#) [66020-2](#) [CW8958-000](#) [699886-000](#) [D250-50632](#) [70.400.3240.0](#) [70.955.2453.3](#) [733753-000](#) [F22831-000](#) [780-522-DPX34RG8-02](#) [MMA25-0341D1](#) [8660-501](#) [87.060.0053.0](#) [900709N001](#) [QRP4-12P-C\(01\)](#) [QR/P6-6S-C\(01\)](#) [1218600-1](#) [D-659-0061](#) [DMC-MD 24 C-T](#) [1-445717-6](#) [1484398-2](#) [1484399-2](#) [1484469-2](#) [MR-34MG](#) [1604997-2](#) [1663130-1](#) [1663767-7](#) [1663767-8](#) [MTC100-BF1-P31CS015](#) [MTC100-KT2-0083](#) [MTC100-KT2-0123-003](#) [MTC100-YA1-005](#) [MTCB1X-105-XXX](#) [MTCQKT1R2PGCA](#) [MTCR-103-04S](#) [MTCX1X-100-100CS025](#) [1738331-1](#) [1757667-1](#) [1883433-1](#) [1996636-1](#) [201784-4](#)