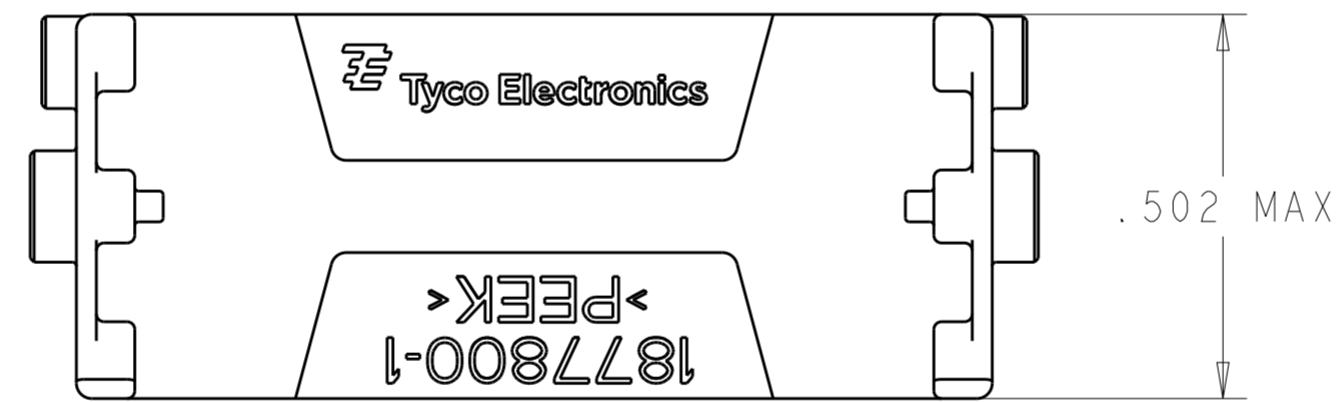
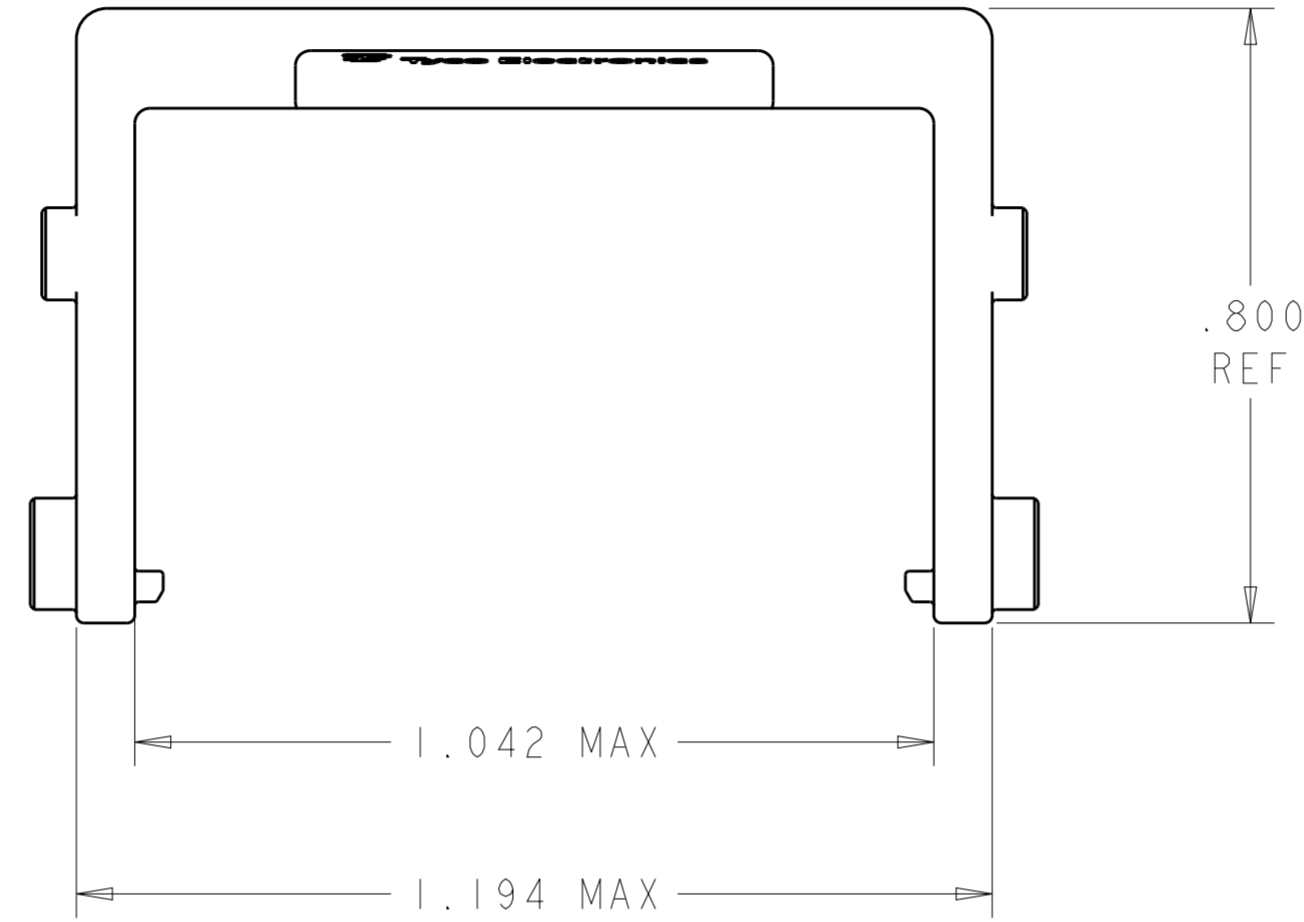
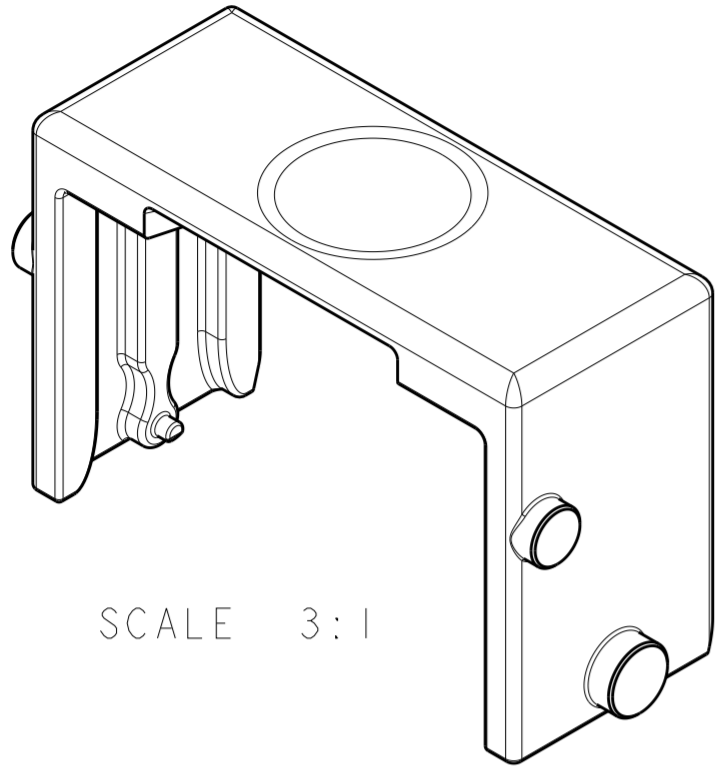


THIS DRAWING IS UNPUBLISHED. RELEASED FOR PUBLICATION 20
 © COPYRIGHT 20 BY - ALL RIGHTS RESERVED.

REVISIONS				
P	LTR	DESCRIPTION	DATE	APVD
C		REV PER ECO 15-017838	12-11-15	CT DE



- 1. MATERIAL: VICTREX 150GL30, COLOR-BEIGE.
- 2. MAX WEIGHT: .005 lb.

1877800-1
 PART NUMBER

THIS DRAWING IS A CONTROLLED DOCUMENT.		DWN C.C. THOMAS 10-12-10	TE Connectivity															
DIMENSIONS: INCHES		CHK P. D'AMATO 10-12-10																
TOLERANCES UNLESS OTHERWISE SPECIFIED:		APVD P. D'AMATO 10-12-10	NAME SLIDE HANDLE, SLIDE CAM, PLUG-N-PLAY															
<table border="1"> <tr><td>0 PLC</td><td>±-</td></tr> <tr><td>1 PLC</td><td>±-</td></tr> <tr><td>2 PLC</td><td>±.01</td></tr> <tr><td>3 PLC</td><td>±.005</td></tr> <tr><td>4 PLC</td><td>±-</td></tr> <tr><td>ANGLES</td><td>±2°</td></tr> <tr><td>FINISH</td><td>-</td></tr> </table>		0 PLC	±-	1 PLC	±-	2 PLC	±.01	3 PLC	±.005	4 PLC	±-	ANGLES	±2°	FINISH	-	PRODUCT SPEC -	RESTRICTED TO -	
0 PLC	±-																	
1 PLC	±-																	
2 PLC	±.01																	
3 PLC	±.005																	
4 PLC	±-																	
ANGLES	±2°																	
FINISH	-																	
MATERIAL -	-	APPLICATION SPEC -	SIZE A200779	CAGE CODE C-1877800														
Customer Drawing		WEIGHT -	SCALE 4:1	SHEET 1 OF 1														

X-ON Electronics

Largest Supplier of Electrical and Electronic Components

Click to view similar products for [Standard Circular Connector](#) category:

Click to view products by [TE Connectivity](#) manufacturer:

Other Similar products are found below :

[5M2530B10P](#) [600259N006](#) [600273N007](#) [6134-336-13149](#) [6134-337-11149](#) [6134-337-2390](#) [6134-341-17149](#) [6280-4SG-516](#) [6280-7SG-3DC](#)
[6290](#) [6291A](#) [66200A-10](#) [680-SMG](#) [681-PMG](#) [CXS3102A14S2P](#) [CXS3102A181S](#) [7251-5SG-300](#) [7271-6SG-300](#) [7282-3PG-300-CH3](#) [75-](#)
[474618-01S](#) [75-474618-04P](#) [75-474618-04S](#) [799539-000](#) [MI8-SE](#) [805-005-07NF11-19PC](#) [805-005-07NF15-7PA](#) [8280-4PG-516](#) [8280-7PG-](#)
[519](#) [8282-5PG-519](#) [836783-1](#) [MP-4102-25P-C](#) [862256-1](#) [864019-2](#) [866857-1](#) [867865-1](#) [PT01SP-14-18P](#) [PT08P-14-5S](#) [PTSF06SE-14-12S](#)
[120-1833-000](#) [QCM019PC2DC012B](#) [1-2069279-1](#) [121583-0217](#) [121667-0020](#) [129591AU](#) [1000B BULK](#) [RD10A16-19-P6CS051/1](#)
[RD10A20-31-P8CS051/1](#) [RD16A14-12-S6CS051/2](#) [1301240290](#) [1301240347](#) [1301860202](#)