

THIS DRAWING IS UNPUBLISHED. RELEASED FOR PUBLICATION 20
 © COPYRIGHT 20 BY - ALL RIGHTS RESERVED.

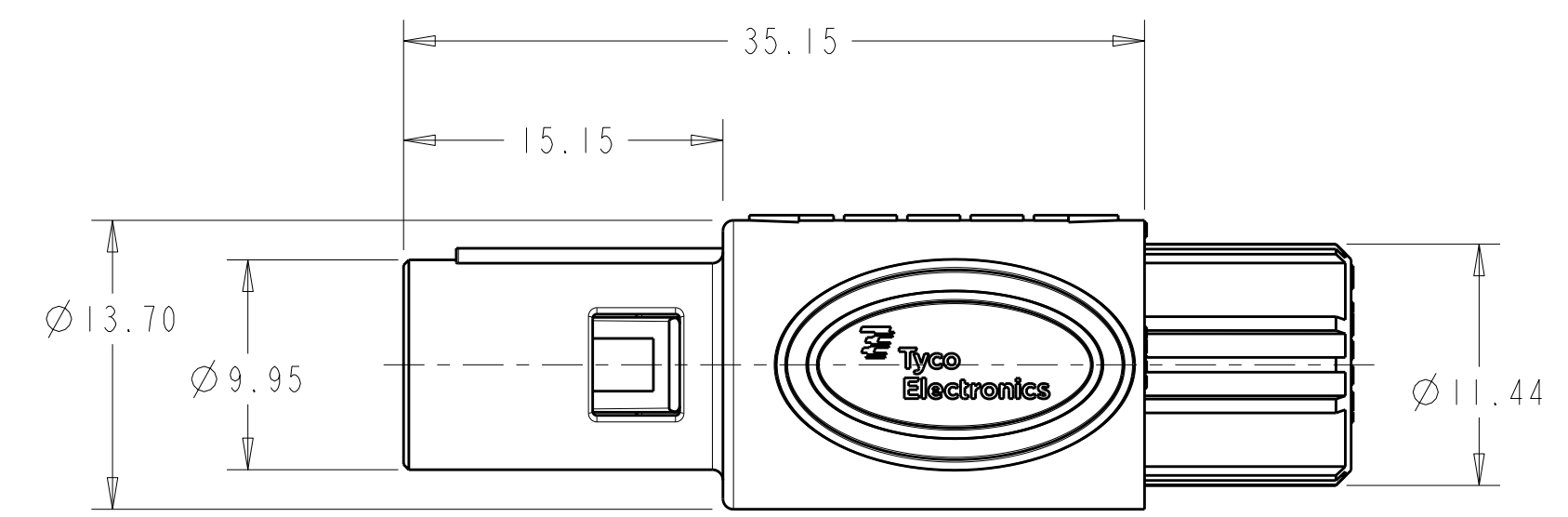
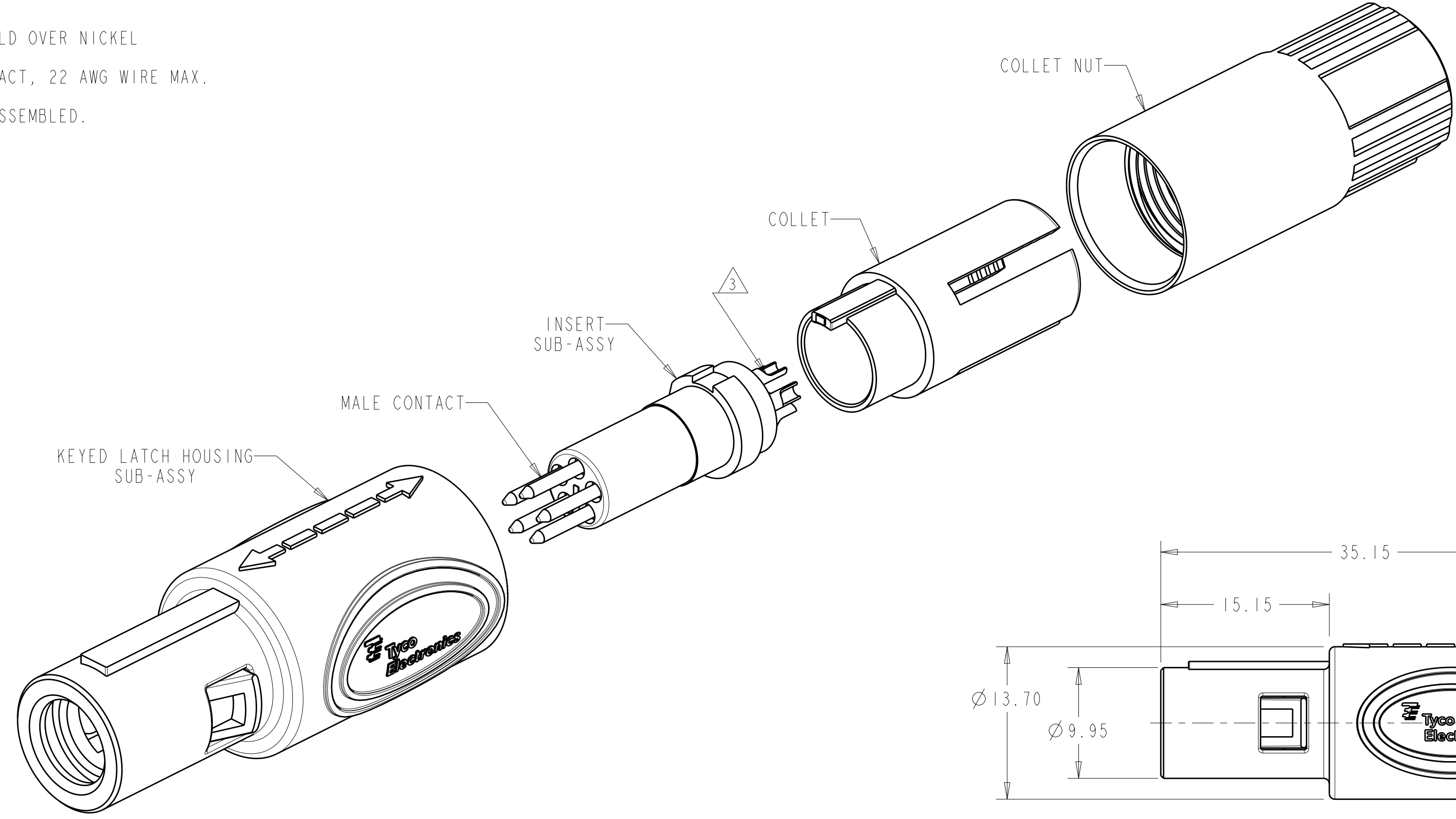
LOC	DIST	REVISIONS			
P	LTR	DESCRIPTION	DATE	DWN	APVD
AD	00	B3	REVISED PER ECO-11-005027	12MAR2011	RK HMR

1 MATERIAL:
 CONTACT: BRASS
 LATCH HOUSING, INSERT, COLLET, COLLET NUT:
 UL 94V-0 RATED THERMOPLASTIC
 COLOR:
 COLLET AND INSERT: GRAY
 LATCH HOUSING AND NUT: SEE TABLE

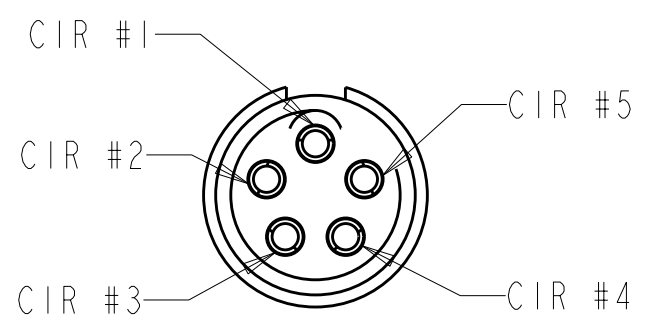
2 FINISH:
 CONTACT, 0.75µm MIN. GOLD OVER NICKEL

3 SOLDER TERMINATION CONTACT, 22 AWG WIRE MAX.

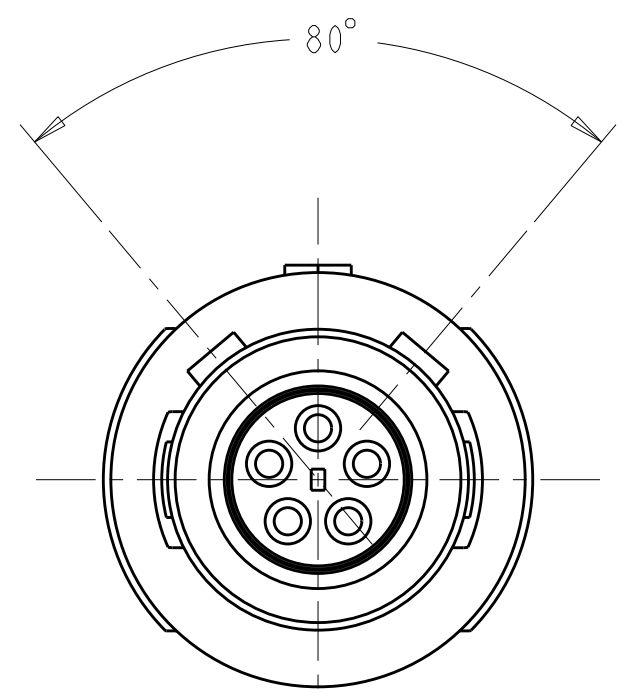
4. PRODUCT IS SUPPLIED UNASSEMBLED.



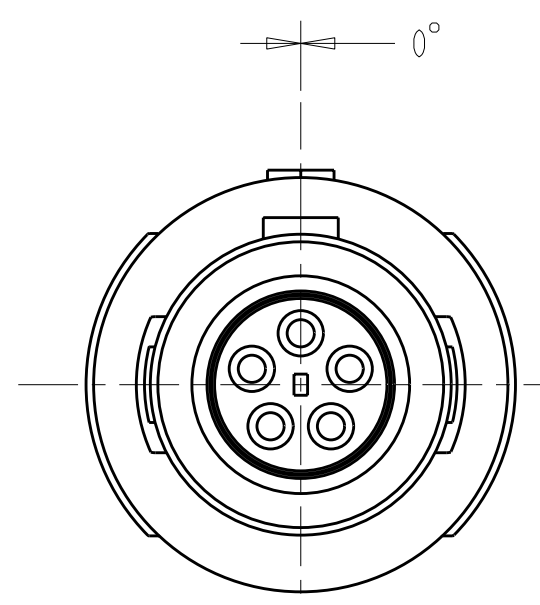
SCALE 3:1



INSERT SUB-ASSY
 CIRCUIT DESIGNATION VIEW



80° KEYING
 SCALE 4:1



0° KEYING
 SCALE 4:1

SEE SHEET 2 FOR
 PART NUMBER SELECTION
 PART NUMBER

THIS DRAWING IS A CONTROLLED DOCUMENT.		DWN K. MILLER 09MAR2006	TE Connectivity	
		CHK L. BREKOSKY 09MAR2006		
DIMENSIONS: mm		TOLERANCES UNLESS OTHERWISE SPECIFIED:		NAME 5 POSITION, CABLE COLLET STRAIGHT PLUG ASSEMBLY 0 AND 80 DEGREE KEYING
		0 PLC ±	1 PLC ±0.13	PRODUCT SPEC 108-2249
		2 PLC ±0.08	3 PLC ±	APPLICATION SPEC 114-13184
		4 PLC ±	ANGLES ±1°	FINISH
MATERIAL		1		2
		CUSTOMER DRAWING		SCALE 4:1
		SIZE A2		CAGE CODE 00779
		DRAWING NO. C-1877845		RESTRICTED TO
		SHEET 1 OF 3		REV B3

THIS DRAWING IS UNPUBLISHED. RELEASED FOR PUBLICATION 20
 © COPYRIGHT 20 BY ALL RIGHTS RESERVED.


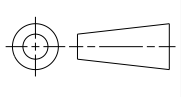

LOC	DIST	REVISIONS					
AD	00	P	LTR	DESCRIPTION	DATE	DWN	APVD
		-		SEE SHEET 1			

∅ 2.7-∅ 3.9	BLUE	GRAY	80°	7-1877845-2
∅ 4.0-∅ 5.2	BLUE	GRAY	80°	7-1877845-1
∅ 5.3-∅ 6.5	BLUE	GRAY	80°	7-1877845-0
∅ 2.7-∅ 3.9	BLUE	GRAY	0°	6-1877845-9
∅ 4.0-∅ 5.2	BLUE	GRAY	0°	6-1877845-8
∅ 5.3-∅ 6.5	BLUE	GRAY	0°	6-1877845-7
∅ 2.7-∅ 3.9	BLUE	BLACK	80°	6-1877845-6
∅ 4.0-∅ 5.2	BLUE	BLACK	80°	6-1877845-5
∅ 5.3-∅ 6.5	BLUE	BLACK	80°	6-1877845-4
∅ 2.7-∅ 3.9	BLUE	BLACK	0°	6-1877845-3
∅ 4.0-∅ 5.2	BLUE	BLACK	0°	6-1877845-2
∅ 5.3-∅ 6.5	BLUE	BLACK	0°	6-1877845-1
∅ 2.7-∅ 3.9	GREEN	GRAY	80°	6-1877845-0
∅ 4.0-∅ 5.2	GREEN	GRAY	80°	5-1877845-9
∅ 5.3-∅ 6.5	GREEN	GRAY	80°	5-1877845-8
∅ 2.7-∅ 3.9	GREEN	GRAY	0°	5-1877845-7
∅ 4.0-∅ 5.2	GREEN	GRAY	0°	5-1877845-6
∅ 5.3-∅ 6.5	GREEN	GRAY	0°	5-1877845-5
∅ 2.7-∅ 3.9	GREEN	BLACK	80°	5-1877845-4
∅ 4.0-∅ 5.2	GREEN	BLACK	80°	5-1877845-3
∅ 5.3-∅ 6.5	GREEN	BLACK	80°	5-1877845-2
∅ 2.7-∅ 3.9	GREEN	BLACK	0°	5-1877845-1
∅ 4.0-∅ 5.2	GREEN	BLACK	0°	5-1877845-0
∅ 5.3-∅ 6.5	GREEN	BLACK	0°	4-1877845-9
∅ 2.7-∅ 3.9	YELLOW	GRAY	80°	4-1877845-8
∅ 4.0-∅ 5.2	YELLOW	GRAY	80°	4-1877845-7
∅ 5.3-∅ 6.5	YELLOW	GRAY	80°	4-1877845-6
∅ 2.7-∅ 3.9	YELLOW	GRAY	0°	4-1877845-5
∅ 4.0-∅ 5.2	YELLOW	GRAY	0°	4-1877845-4
∅ 5.3-∅ 6.5	YELLOW	GRAY	0°	4-1877845-3
∅ 2.7-∅ 3.9	YELLOW	BLACK	80°	4-1877845-2
∅ 4.0-∅ 5.2	YELLOW	BLACK	80°	4-1877845-1
∅ 5.3-∅ 6.5	YELLOW	BLACK	80°	4-1877845-0
∅ 2.7-∅ 3.9	YELLOW	BLACK	0°	3-1877845-9
∅ 4.0-∅ 5.2	YELLOW	BLACK	0°	3-1877845-8
∅ 5.3-∅ 6.5	YELLOW	BLACK	0°	3-1877845-7
CABLE RANGE	BACK-NUT COLOR	LATCH HOUSING COLOR	KEYING	PART NO.

PART NUMBERS 37 THRU 72

∅ 2.7-∅ 3.9	WHITE	GRAY	80°	3-1877845-6
∅ 4.0-∅ 5.2	WHITE	GRAY	80°	3-1877845-5
∅ 5.3-∅ 6.5	WHITE	GRAY	80°	3-1877845-4
∅ 2.7-∅ 3.9	WHITE	GRAY	0°	3-1877845-3
∅ 4.0-∅ 5.2	WHITE	GRAY	0°	3-1877845-2
∅ 5.3-∅ 6.5	WHITE	GRAY	0°	3-1877845-1
∅ 2.7-∅ 3.9	WHITE	BLACK	80°	3-1877845-0
∅ 4.0-∅ 5.2	WHITE	BLACK	80°	2-1877845-9
∅ 5.3-∅ 6.5	WHITE	BLACK	80°	2-1877845-8
∅ 2.7-∅ 3.9	WHITE	BLACK	0°	2-1877845-7
∅ 4.0-∅ 5.2	WHITE	BLACK	0°	2-1877845-6
∅ 5.3-∅ 6.5	WHITE	BLACK	0°	2-1877845-5
∅ 2.7-∅ 3.9	RED	GRAY	80°	2-1877845-4
∅ 4.0-∅ 5.2	RED	GRAY	80°	2-1877845-3
∅ 5.3-∅ 6.5	RED	GRAY	80°	2-1877845-2
∅ 2.7-∅ 3.9	RED	GRAY	0°	2-1877845-1
∅ 4.0-∅ 5.2	RED	GRAY	0°	2-1877845-0
∅ 5.3-∅ 6.5	RED	GRAY	0°	1-1877845-9
∅ 2.7-∅ 3.9	RED	BLACK	80°	1-1877845-8
∅ 4.0-∅ 5.2	RED	BLACK	80°	1-1877845-7
∅ 5.3-∅ 6.5	RED	BLACK	80°	1-1877845-6
∅ 2.7-∅ 3.9	RED	BLACK	0°	1-1877845-5
∅ 4.0-∅ 5.2	RED	BLACK	0°	1-1877845-4
∅ 5.3-∅ 6.5	RED	BLACK	0°	1-1877845-3
∅ 2.7-∅ 3.9	GRAY	GRAY	80°	1-1877845-2
∅ 4.0-∅ 5.2	GRAY	GRAY	80°	1-1877845-1
∅ 5.3-∅ 6.5	GRAY	GRAY	80°	1-1877845-0
∅ 2.7-∅ 3.9	GRAY	GRAY	0°	1877845-9
∅ 4.0-∅ 5.2	GRAY	GRAY	0°	1877845-8
∅ 5.3-∅ 6.5	GRAY	GRAY	0°	1877845-7
∅ 2.7-∅ 3.9	BLACK	BLACK	80°	1877845-6
∅ 4.0-∅ 5.2	BLACK	BLACK	80°	1877845-5
∅ 5.3-∅ 6.5	BLACK	BLACK	80°	1877845-4
∅ 2.7-∅ 3.9	BLACK	BLACK	0°	1877845-3
∅ 4.0-∅ 5.2	BLACK	BLACK	0°	1877845-2
∅ 5.3-∅ 6.5	BLACK	BLACK	0°	1877845-1
CABLE RANGE	BACK-NUT COLOR	LATCH HOUSING COLOR	KEYING	PART NO.

PART NUMBERS 1 THRU 36

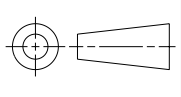
THIS DRAWING IS A CONTROLLED DOCUMENT.		DWN K. MILLER 09MAR2006	 TE Connectivity		
		CHK L. BREKOSKY 09MAR2006			
DIMENSIONS: mm		TOLERANCES UNLESS OTHERWISE SPECIFIED: 0 PLC ± 1 PLC ±0.13 2 PLC ±0.08 3 PLC ± 4 PLC ± ANGLES ±1° FINISH		NAME 5 POSITION, CABLE COLLET STRAIGHT PLUG ASSEMBLY 0 AND 80 DEGREE KEYING	
		PRODUCT SPEC 108-2249 APPLICATION SPEC 114-13184		SIZE A2	
MATERIAL 		WEIGHT -		CAGE CODE 00779	
		CUSTOMER DRAWING		DRAWING NO 1877845	
		SCALE 4:1		SHEET 2 OF 3 REV B3	

THIS DRAWING IS UNPUBLISHED. RELEASED FOR PUBLICATION 20

© COPYRIGHT 20 BY ALL RIGHTS RESERVED.

LOC	DIST	REVISIONS					
		P	LTR	DESCRIPTION	DATE	DWN	APVD
AD	00	-		SEE SHEET 1	-	-	-

Ø 2.7-Ø 3.9	BLACK	GRAY	80°	8-1877845-4
Ø 4.0-Ø 5.2	BLACK	GRAY	80°	8-1877845-3
Ø 5.3-Ø 6.5	BLACK	GRAY	80°	8-1877845-2
Ø 2.7-Ø 3.9	BLACK	GRAY	0°	8-1877845-1
Ø 4.0-Ø 5.2	BLACK	GRAY	0°	8-1877845-0
Ø 5.3-Ø 6.5	BLACK	GRAY	0°	7-1877845-9
Ø 2.7-Ø 3.9	GRAY	BLACK	80°	7-1877845-8
Ø 4.0-Ø 5.2	GRAY	BLACK	80°	7-1877845-7
Ø 5.3-Ø 6.5	GRAY	BLACK	80°	7-1877845-6
Ø 2.7-Ø 3.9	GRAY	BLACK	0°	7-1877845-5
Ø 4.0-Ø 5.2	GRAY	BLACK	0°	7-1877845-4
Ø 5.3-Ø 6.5	GRAY	BLACK	0°	7-1877845-3
CABLE RANGE	BACK-NUT COLOR	LATCH HOUSING COLOR	KEYING	PART NO.
PART NUMBERS 73 THRU 84				

THIS DRAWING IS A CONTROLLED DOCUMENT.		DWN K. MILLER 09MAR2006	STE TE Connectivity	
		CHK L. BREKOSKY 09MAR2006		
DIMENSIONS: mm	TOLERANCES UNLESS OTHERWISE SPECIFIED:	APVD -	NAME 5 POSITION, CABLE COLLET STRAIGHT PLUG ASSEMBLY 0 AND 80 DEGREE KEYING	
	0 PLC ±- 1 PLC ±0.13 2 PLC ±0.08 3 PLC ±- 4 PLC ±- ANGLES ±1° FINISH	PRODUCT SPEC 108-2249	SIZE A2	CAGE CODE 00779
MATERIAL -		APPLICATION SPEC 114-13184	DRAWING NO 1877845	RESTRICTED TO -
		WEIGHT -	SCALE 4:1 SHEET 3 OF 3 REV B.3	
		CUSTOMER DRAWING		

X-ON Electronics

Largest Supplier of Electrical and Electronic Components

Click to view similar products for [Standard Circular Connector](#) category:

Click to view products by [TE Connectivity](#) manufacturer:

Other Similar products are found below :

[5M2530B10P](#) [600259N006](#) [600273N007](#) [6134-336-13149](#) [6134-337-11149](#) [6134-337-2390](#) [6134-341-17149](#) [6280-4SG-516](#) [6280-7SG-3DC](#)
[6290](#) [6291A](#) [66200A-10](#) [680-SMG](#) [681-PMG](#) [CXS3102A14S2P](#) [CXS3102A181S](#) [7251-5SG-300](#) [7271-6SG-300](#) [7282-3PG-300-CH3](#) [75-](#)
[474618-01S](#) [75-474618-04P](#) [75-474618-04S](#) [799539-000](#) [MI8-SE](#) [805-005-07NF11-19PC](#) [805-005-07NF15-7PA](#) [8280-4PG-516](#) [8280-7PG-](#)
[519](#) [8282-5PG-519](#) [836783-1](#) [MP-4102-25P-C](#) [862256-1](#) [864019-2](#) [866857-1](#) [867865-1](#) [PT01SP-14-18P](#) [PT08P-14-5S](#) [PTSF06SE-14-12S](#)
[120-1833-000](#) [QCM019PC2DC012B](#) [1-2069279-1](#) [121583-0217](#) [121667-0020](#) [129591AU](#) [1000B BULK](#) [RD10A16-19-P6CS051/1](#)
[RD10A20-31-P8CS051/1](#) [RD16A14-12-S6CS051/2](#) [1301240290](#) [1301240347](#) [1301860202](#)