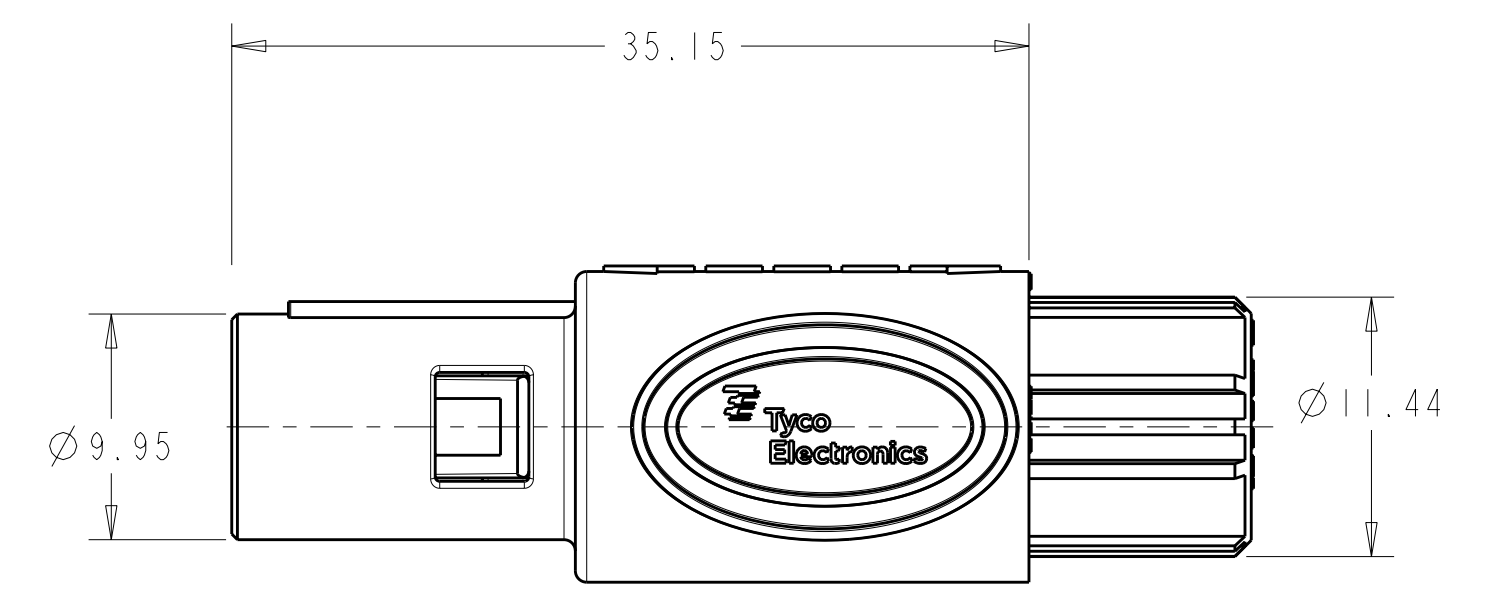
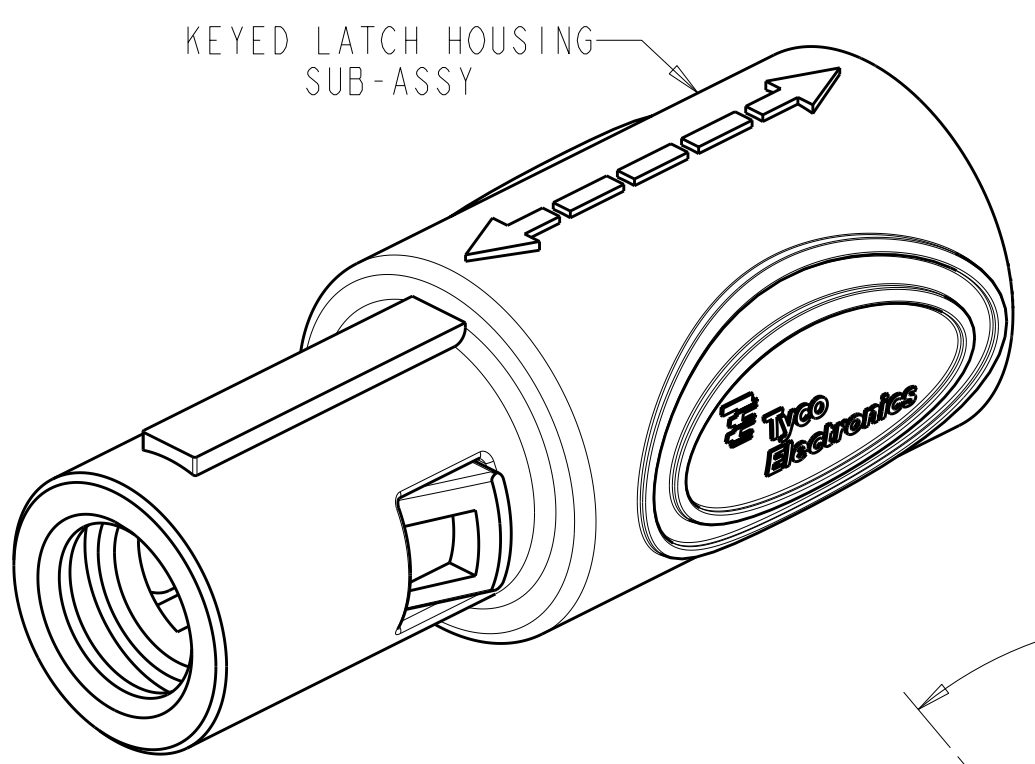
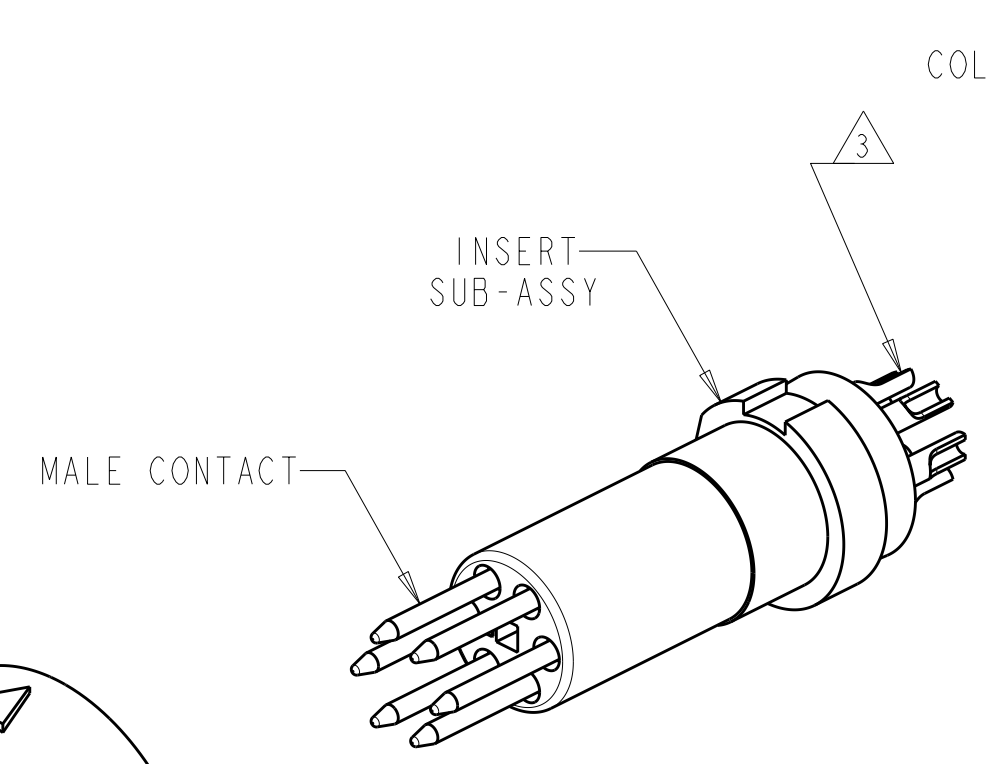
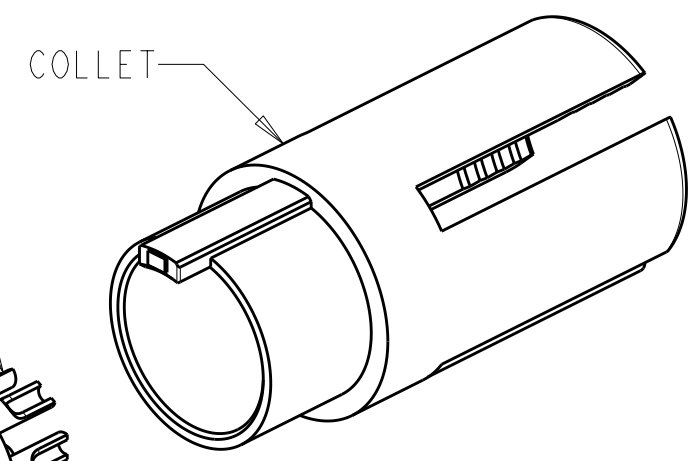
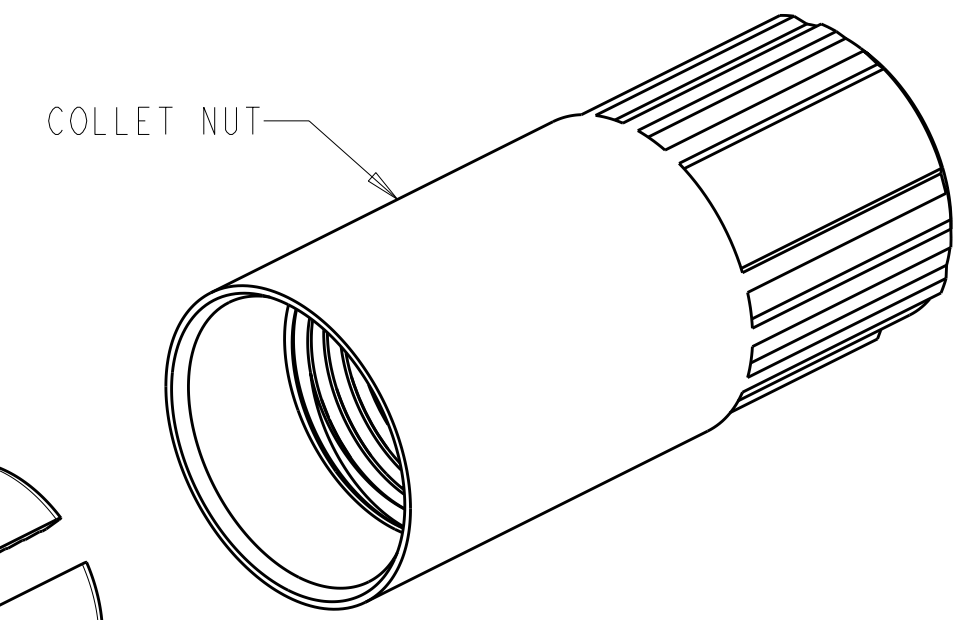


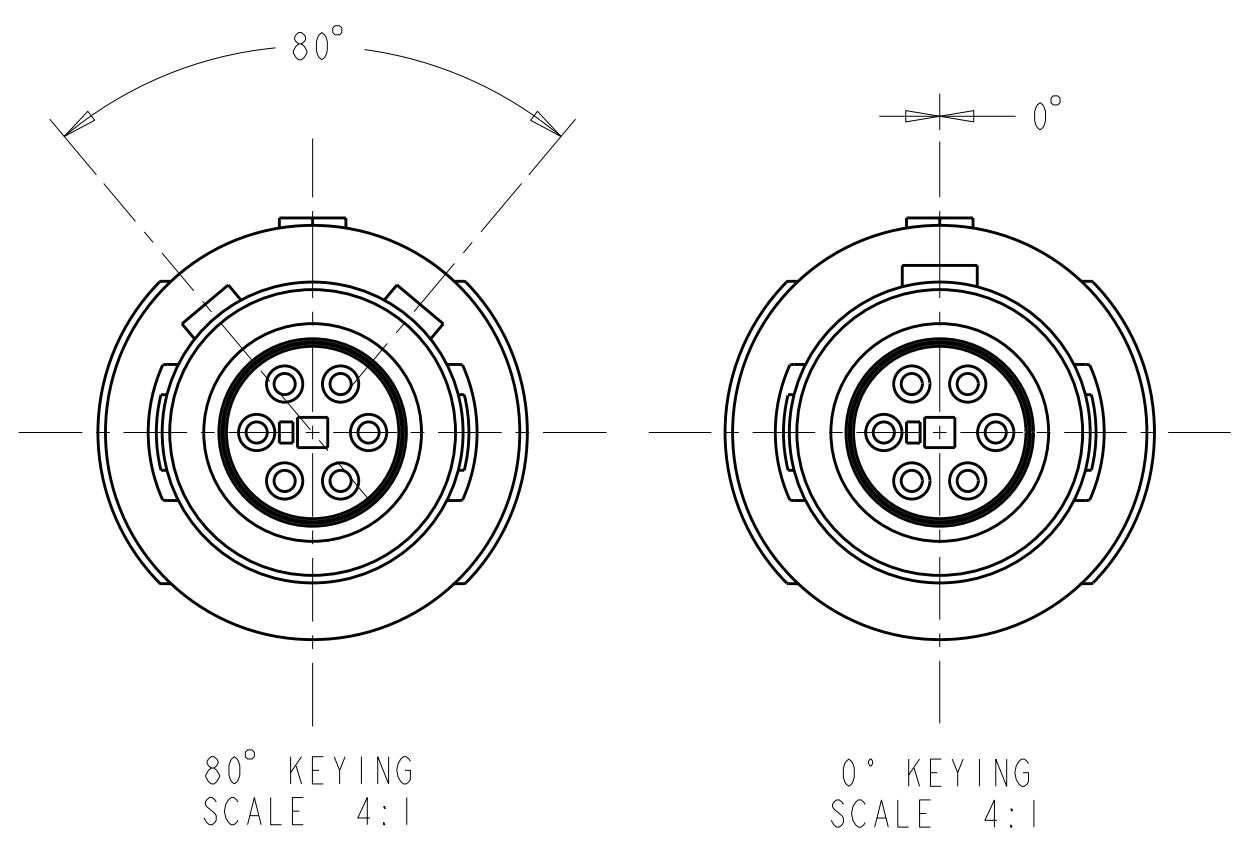
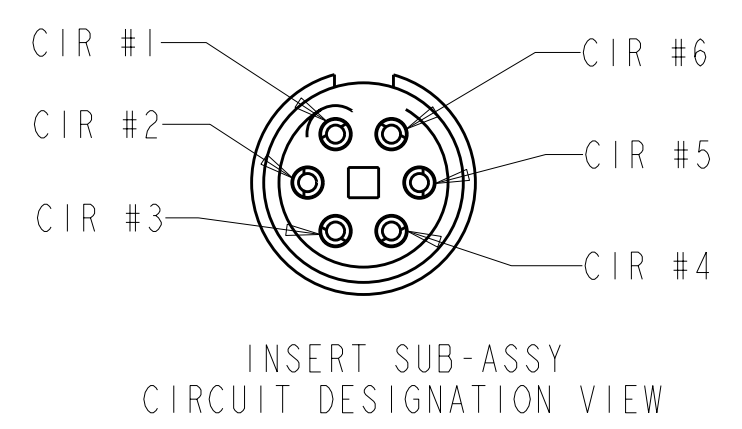
THIS DRAWING IS UNPUBLISHED. RELEASED FOR PUBLICATION 20  
 © COPYRIGHT 20 BY - ALL RIGHTS RESERVED.

LOC	DIST	REVISIONS			
P	LTR	DESCRIPTION	DATE	DWN	APVD
AD	00	B3	REVISED PER ECO-11-005027	12MAR2011	RK HMR

- 1 MATERIAL:  
 CONTACT: BRASS  
 LATCH HOUSING, INSERT, COLLET, COLLET NUT:  
 UL 94V-0 RATED THERMOPLASTIC  
 COLOR:  
 COLLET AND INSERT: GRAY  
 LATCH HOUSING AND NUT: SEE TABLE
- 2 FINISH:  
 CONTACT, 0.75µm MIN. GOLD OVER NICKEL
- 3 SOLDER TERMINATION CONTACT, 26 AWG WIRE MAX.
- 4. PRODUCT IS SUPPLIED UNASSEMBLED



SCALE 3:1



SEE SHEET 2 FOR PART NUMBER SELECTION

PART NO.

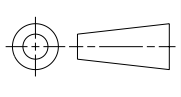
THIS DRAWING IS A CONTROLLED DOCUMENT.		DWN K. MILLER 09MAR2006	TE Connectivity
		CHK L. BREKOSKY 09MAR2006	
DIMENSIONS: mm		APVD -	NAME 6 POSITION CABLE COLLET 0 DEGREE AND 80 DEGREE KEYING STRAIGHT PLUG ASSEMBLY
TOLERANCES UNLESS OTHERWISE SPECIFIED:		PRODUCT SPEC 108-2249	APPLICATION SPEC 114-13184
0 PLC ±		APVD -	RESTRICTED TO -
1 PLC ±0.13		WEIGHT -	SIZE A2
2 PLC ±0.08		CUSTOMER DRAWING	CAGE CODE 00779
3 PLC ±		SCALE 4:1	DRAWING NO. 1877846
4 PLC ±		SHEET 1 OF 3	REV B3
ANGLES ±1°			
FINISH			

THIS DRAWING IS UNPUBLISHED. RELEASED FOR PUBLICATION 20  
 © COPYRIGHT 20 BY - ALL RIGHTS RESERVED.

LOC	DIST	REVISIONS					
AD	00	P	LTR	DESCRIPTION	DATE	DWN	APVD
		-		SEE SHEET 1			

∅ 2.7-∅ 3.9	BLUE	GRAY	80°	7-1877846-2
∅ 4.0-∅ 5.2	BLUE	GRAY	80°	7-1877846-1
∅ 5.3-∅ 6.5	BLUE	GRAY	80°	7-1877846-0
∅ 2.7-∅ 3.9	BLUE	GRAY	0°	6-1877846-9
∅ 4.0-∅ 5.2	BLUE	GRAY	0°	6-1877846-8
∅ 5.3-∅ 6.5	BLUE	GRAY	0°	6-1877846-7
∅ 2.7-∅ 3.9	BLUE	BLACK	80°	6-1877846-6
∅ 4.0-∅ 5.2	BLUE	BLACK	80°	6-1877846-5
∅ 5.3-∅ 6.5	BLUE	BLACK	80°	6-1877846-4
∅ 2.7-∅ 3.9	BLUE	BLACK	0°	6-1877846-3
∅ 4.0-∅ 5.2	BLUE	BLACK	0°	6-1877846-2
∅ 5.3-∅ 6.5	BLUE	BLACK	0°	6-1877846-1
∅ 2.7-∅ 3.9	GREEN	GRAY	80°	6-1877846-0
∅ 4.0-∅ 5.2	GREEN	GRAY	80°	5-1877846-9
∅ 5.3-∅ 6.5	GREEN	GRAY	80°	5-1877846-8
∅ 2.7-∅ 3.9	GREEN	GRAY	0°	5-1877846-7
∅ 4.0-∅ 5.2	GREEN	GRAY	0°	5-1877846-6
∅ 5.3-∅ 6.5	GREEN	GRAY	0°	5-1877846-5
∅ 2.7-∅ 3.9	GREEN	BLACK	80°	5-1877846-4
∅ 4.0-∅ 5.2	GREEN	BLACK	80°	5-1877846-3
∅ 5.3-∅ 6.5	GREEN	BLACK	80°	5-1877846-2
∅ 2.7-∅ 3.9	GREEN	BLACK	0°	5-1877846-1
∅ 4.0-∅ 5.2	GREEN	BLACK	0°	5-1877846-0
∅ 5.3-∅ 6.5	GREEN	BLACK	0°	4-1877846-9
∅ 2.7-∅ 3.9	YELLOW	GRAY	80°	4-1877846-8
∅ 4.0-∅ 5.2	YELLOW	GRAY	80°	4-1877846-7
∅ 5.3-∅ 6.5	YELLOW	GRAY	80°	4-1877846-6
∅ 2.7-∅ 3.9	YELLOW	GRAY	0°	4-1877846-5
∅ 4.0-∅ 5.2	YELLOW	GRAY	0°	4-1877846-4
∅ 5.3-∅ 6.5	YELLOW	GRAY	0°	4-1877846-3
∅ 2.7-∅ 3.9	YELLOW	BLACK	80°	4-1877846-2
∅ 4.0-∅ 5.2	YELLOW	BLACK	80°	4-1877846-1
∅ 5.3-∅ 6.5	YELLOW	BLACK	80°	4-1877846-0
∅ 2.7-∅ 3.9	YELLOW	BLACK	0°	3-1877846-9
∅ 4.0-∅ 5.2	YELLOW	BLACK	0°	3-1877846-8
∅ 5.3-∅ 6.5	YELLOW	BLACK	0°	3-1877846-7
CABLE RANGE	COLLET NUT COLOR	LATCH HOUSING COLOR	KEYING	PART NO.
PART NUMBERS 37 THRU 72				

∅ 2.7-∅ 3.9	WHITE	GRAY	80°	3-1877846-6
∅ 4.0-∅ 5.2	WHITE	GRAY	80°	3-1877846-5
∅ 5.3-∅ 6.5	WHITE	GRAY	80°	3-1877846-4
∅ 2.7-∅ 3.9	WHITE	GRAY	0°	3-1877846-3
∅ 4.0-∅ 5.2	WHITE	GRAY	0°	3-1877846-2
∅ 5.3-∅ 6.5	WHITE	GRAY	0°	3-1877846-1
∅ 2.7-∅ 3.9	WHITE	BLACK	80°	3-1877846-0
∅ 4.0-∅ 5.2	WHITE	BLACK	80°	2-1877846-9
∅ 5.3-∅ 6.5	WHITE	BLACK	80°	2-1877846-8
∅ 2.7-∅ 3.9	WHITE	BLACK	0°	2-1877846-7
∅ 4.0-∅ 5.2	WHITE	BLACK	0°	2-1877846-6
∅ 5.3-∅ 6.5	WHITE	BLACK	0°	2-1877846-5
∅ 2.7-∅ 3.9	RED	GRAY	80°	2-1877846-4
∅ 4.0-∅ 5.2	RED	GRAY	80°	2-1877846-3
∅ 5.3-∅ 6.5	RED	GRAY	80°	2-1877846-2
∅ 2.7-∅ 3.9	RED	GRAY	0°	2-1877846-1
∅ 4.0-∅ 5.2	RED	GRAY	0°	2-1877846-0
∅ 5.3-∅ 6.5	RED	GRAY	0°	1-1877846-9
∅ 2.7-∅ 3.9	RED	BLACK	80°	1-1877846-8
∅ 4.0-∅ 5.2	RED	BLACK	80°	1-1877846-7
∅ 5.3-∅ 6.5	RED	BLACK	80°	1-1877846-6
∅ 2.7-∅ 3.9	RED	BLACK	0°	1-1877846-5
∅ 4.0-∅ 5.2	RED	BLACK	0°	1-1877846-4
∅ 5.3-∅ 6.5	RED	BLACK	0°	1-1877846-3
∅ 2.7-∅ 3.9	GRAY	GRAY	80°	1-1877846-2
∅ 4.0-∅ 5.2	GRAY	GRAY	80°	1-1877846-1
∅ 5.3-∅ 6.5	GRAY	GRAY	80°	1-1877846-0
∅ 2.7-∅ 3.9	GRAY	GRAY	0°	1877846-9
∅ 4.0-∅ 5.2	GRAY	GRAY	0°	1877846-8
∅ 5.3-∅ 6.5	GRAY	GRAY	0°	1877846-7
∅ 2.7-∅ 3.9	BLACK	BLACK	80°	1877846-6
∅ 4.0-∅ 5.2	BLACK	BLACK	80°	1877846-5
∅ 5.3-∅ 6.5	BLACK	BLACK	80°	1877846-4
∅ 2.7-∅ 3.9	BLACK	BLACK	0°	1877846-3
∅ 4.0-∅ 5.2	BLACK	BLACK	0°	1877846-2
∅ 5.3-∅ 6.5	BLACK	BLACK	0°	1877846-1
CABLE RANGE	COLLET NUT COLOR	LATCH HOUSING COLOR	KEYING	PART NO.
PART NUMBERS 1 THRU 36				

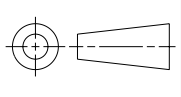
THIS DRAWING IS A CONTROLLED DOCUMENT.		DWN K. MILLER 09MAR2006	<b>STE</b> TE Connectivity
		CHK L. BREKOSKY 09MAR2006	
		APVD -	
DIMENSIONS: mm	TOLERANCES UNLESS OTHERWISE SPECIFIED:	PRODUCT SPEC 108-2249	NAME 6 POSITION CABLE COLLET 0 DEGREE AND 80 DEGREE KEYING STRAIGHT PLUG ASSEMBLY
	0 PLC ± 1 PLC ±0.13 2 PLC ±0.08 3 PLC ± 4 PLC ±	APPLICATION SPEC 114-13184	SIZE A2
MATERIAL	FINISH	WEIGHT	CAGE CODE 00779
		CUSTOMER DRAWING	DRAWING NO 1877846
		SCALE 4:1	RESTRICTED TO -
		SHEET 2	OF 3
		REV B3	

THIS DRAWING IS UNPUBLISHED.      RELEASED FOR PUBLICATION      20

© COPYRIGHT 20      BY      ALL RIGHTS RESERVED.

LOC	DIST	REVISIONS					
		P	LTR	DESCRIPTION	DATE	DWN	APVD
AD	00	-		SEE SHEET 1	-	-	-

Ø 2.7-Ø 3.9	BLACK	GRAY	80°	8-1877846-4
Ø 4.0-Ø 5.2	BLACK	GRAY	80°	8-1877846-3
Ø 5.3-Ø 6.5	BLACK	GRAY	80°	8-1877846-2
Ø 2.7-Ø 3.9	BLACK	GRAY	0°	8-1877846-1
Ø 4.0-Ø 5.2	BLACK	GRAY	0°	8-1877846-0
Ø 5.3-Ø 6.5	BLACK	GRAY	0°	7-1877846-9
Ø 2.7-Ø 3.9	GRAY	BLACK	80°	7-1877846-8
Ø 4.0-Ø 5.2	GRAY	BLACK	80°	7-1877846-7
Ø 5.3-Ø 6.5	GRAY	BLACK	80°	7-1877846-6
Ø 2.7-Ø 3.9	GRAY	BLACK	0°	7-1877846-5
Ø 4.0-Ø 5.2	GRAY	BLACK	0°	7-1877846-4
Ø 5.3-Ø 6.5	GRAY	BLACK	0°	7-1877846-3
CABLE RANGE	BACK-NUT COLOR	LATCH HOUSING COLOR	KEYING	PART NO.
<b>PART NUMBERS 73 THRU 84</b>				

DIMENSIONS:		TOLERANCES UNLESS OTHERWISE SPECIFIED:		DWN		CHK		APVD		NAME	
mm		0 PLC	±	K. MILLER		L. BREKOSKY		-		6 POSITION CABLE COLLET	
		1 PLC	±0.13	09MAR2006		09MAR2006		-		0 DEGREE AND 80 DEGREE KEYING	
		2 PLC	±0.08							STRAIGHT PLUG ASSEMBLY	
		3 PLC	±							SIZE	
		4 PLC	±							CAGE CODE	
		ANGLES	±1°							DRAWING NO	
		FINISH								RESTRICTED TO	
MATERIAL										-	
										A2 00779 C-1877846	
										SCALE 4:1 SHEET 3 OF 3 REV B3	
										CUSTOMER DRAWING	

## X-ON Electronics

Largest Supplier of Electrical and Electronic Components

*Click to view similar products for [Standard Circular Connector](#) category:*

*Click to view products by [TE Connectivity](#) manufacturer:*

Other Similar products are found below :

[5M2530B10P](#) [600259N006](#) [600273N007](#) [6134-336-13149](#) [6134-337-11149](#) [6134-337-2390](#) [6134-341-17149](#) [6280-4SG-516](#) [6280-7SG-3DC6290](#) [6291A](#) [66200A-10](#) [680-SMG](#) [681-PMG](#) [CXS3102A14S2P](#) [CXS3102A181S](#) [7251-5SG-300](#) [7271-6SG-300](#) [7282-3PG-300-CH3](#) [75-474618-01S](#) [75-474618-04P](#) [75-474618-04S](#) [799539-000](#) [MI8-SE](#) [805-005-07NF11-19PC](#) [805-005-07NF15-7PA](#) [8280-4PG-516](#) [8280-7PG-519](#) [8282-5PG-519](#) [836783-1](#) [MP-4102-25P-C](#) [862256-1](#) [864019-2](#) [866857-1](#) [867865-1](#) [PT01SP-14-18P](#) [PT08P-14-5S](#) [PTSF06SE-14-12S120-1833-000](#) [QCM019PC2DC012B](#) [1-2069279-1](#) [121583-0217](#) [121667-0020](#) [129591AU](#) [1000B BULK](#) [RD10A16-19-P6CS051/1](#)  
[RD10A20-31-P8CS051/1](#) [RD16A14-12-S6CS051/2](#) [1301240290](#) [1301240347](#) [1301860202](#)