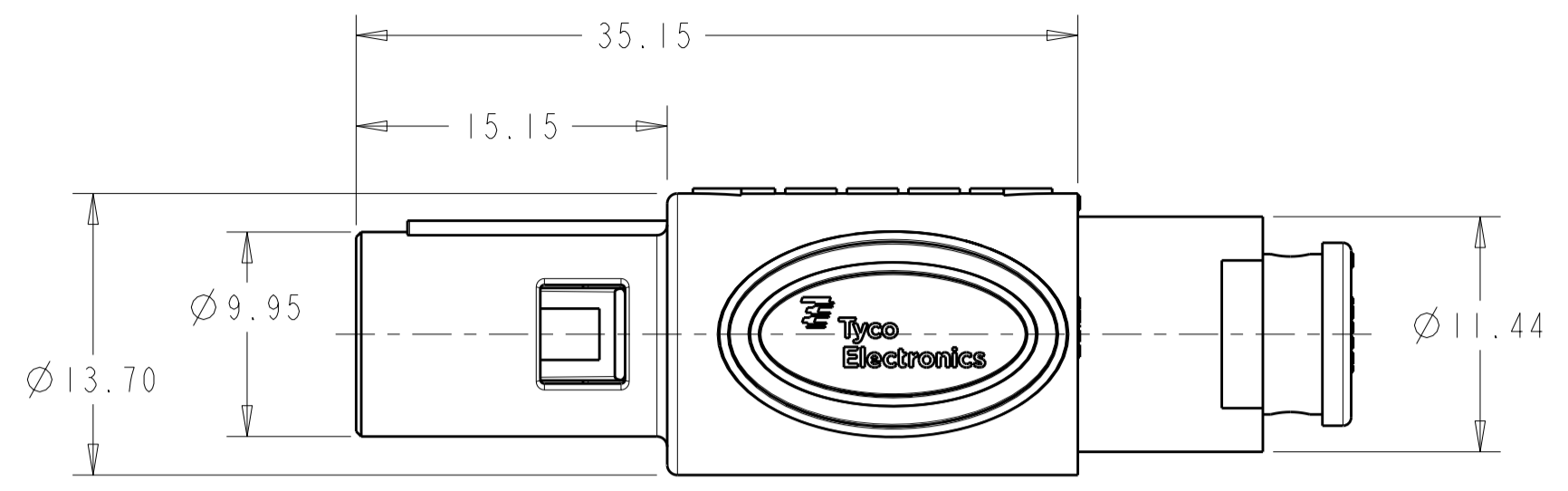
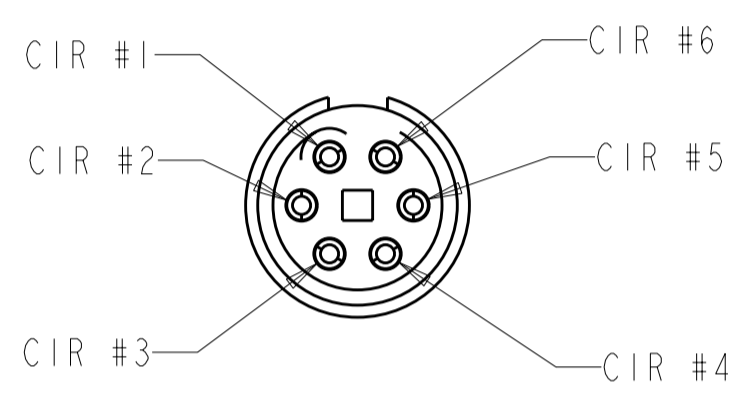


THIS DRAWING IS UNPUBLISHED. RELEASED FOR PUBLICATION 20
 © COPYRIGHT 20 BY TYCO ELECTRONICS CORPORATION. ALL RIGHTS RESERVED.

LOC	DIST	REVISIONS			
P	LTR	DESCRIPTION	DATE	DWN	APVD
B3		REVISED PER ECO-08-022187	06SEP2008	HMR	DR
B4		REVISED PER ECO-09-008097	06APR2009	MF	DR

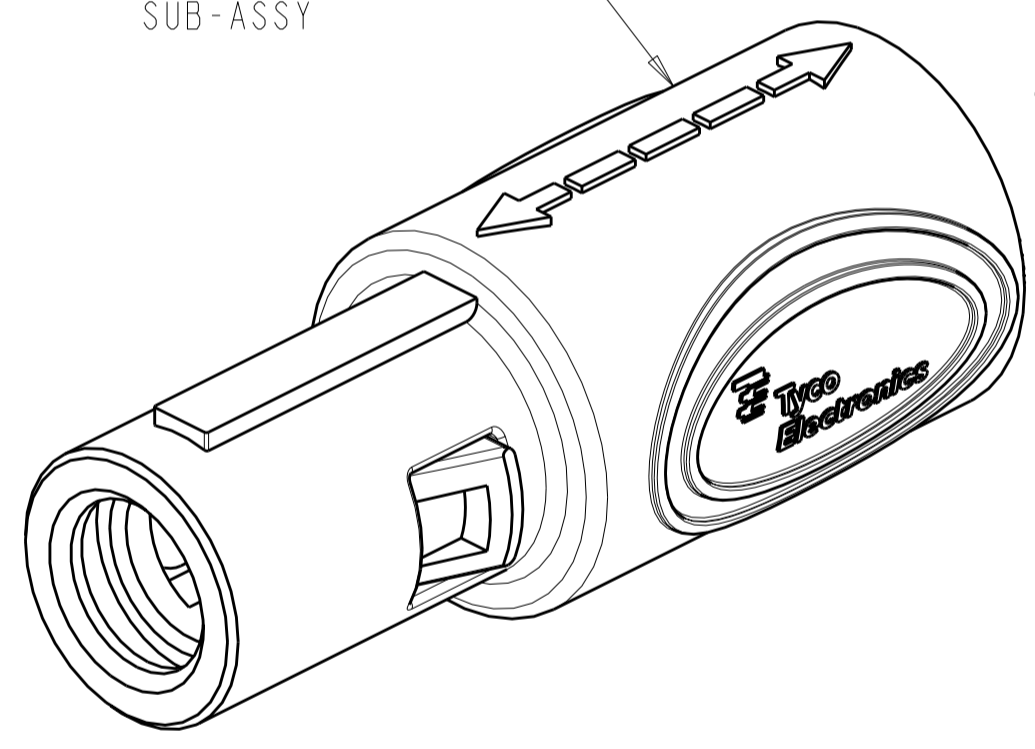


SCALE 3:1

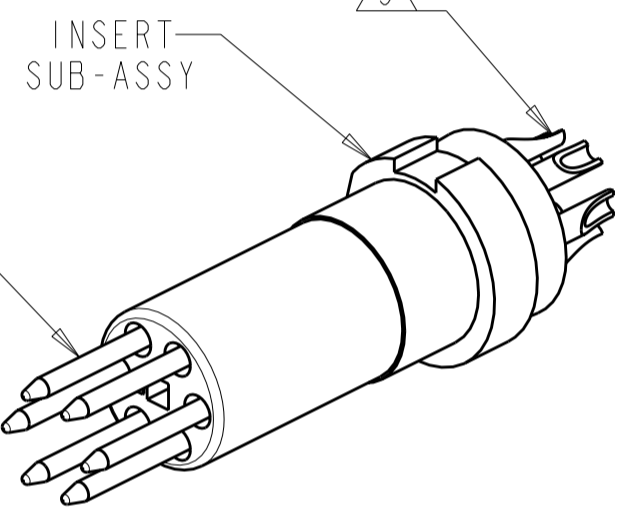


INSERT SUB-ASSY
CIRCUIT DESIGNATION VIEW

KEYED LATCH HOUSING W/ O-RING
SUB-ASSY



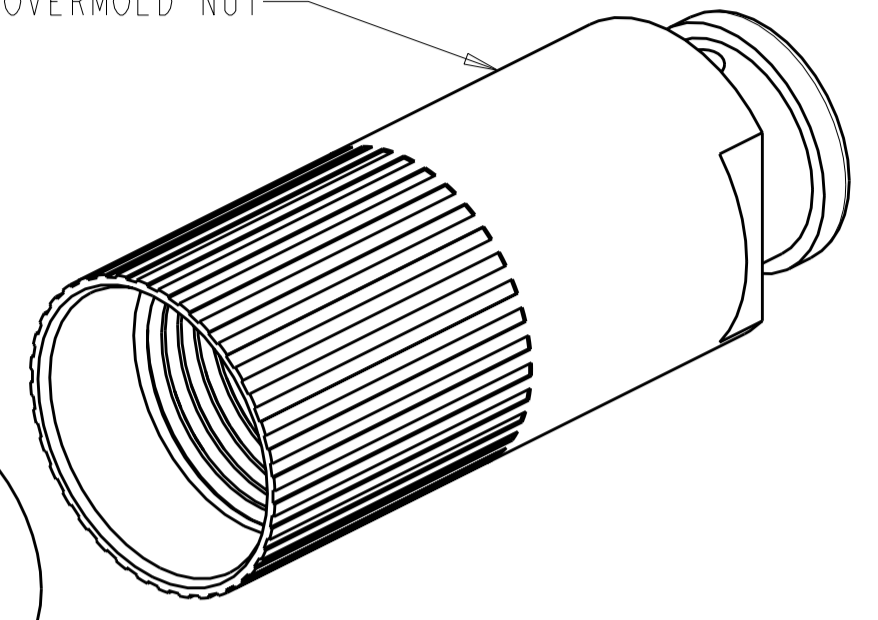
MALE CONTACT



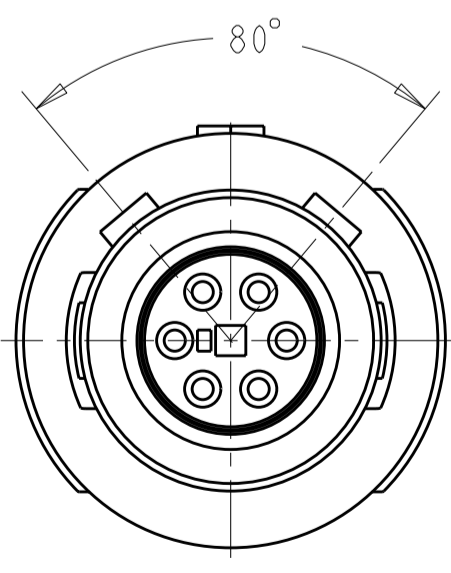
INSERT
SUB-ASSY

MIDPIECE

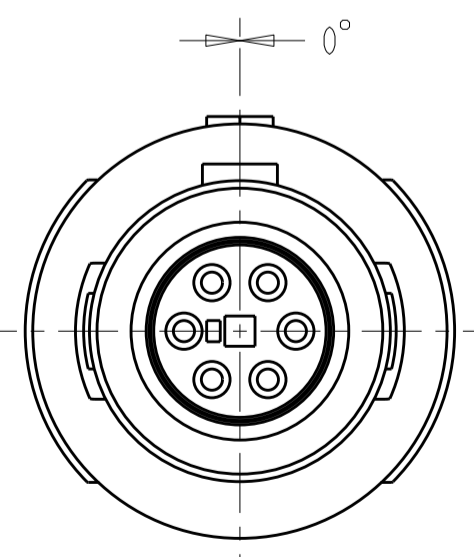
OVERMOLD NUT



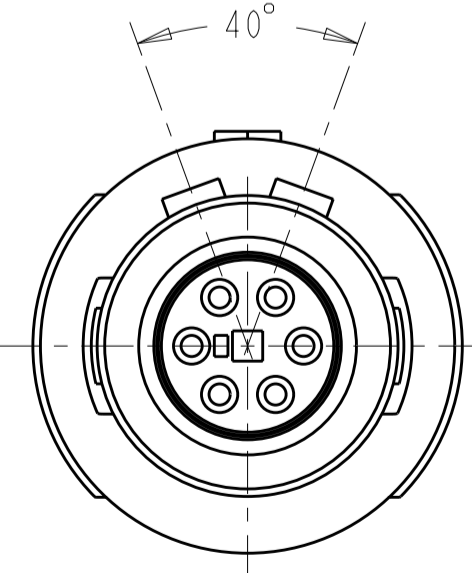
- 1 MATERIAL:
CONTACT: BRASS
LATCH HOUSING, INSERT, MIDPIECE, NUT:
UL 94V-0 RATED THERMOPLASTIC
O-RING: ELASTOMER
COLOR:
MIDPIECE AND INSERT: GRAY
LATCH HOUSING AND OVERMOLD NUT: SEE TABLE
O-RING: BLACK
- 2 FINISH:
CONTACT, 0.75µm MIN. GOLD OVER NICKEL
- 3 SOLDER TERMINATION CONTACT, 26 AWG WIRE MAX.
- 4. PRODUCT IS SUPPLIED UNASSEMBLED.
- 5 PRELIMINARY PART NUMBER.



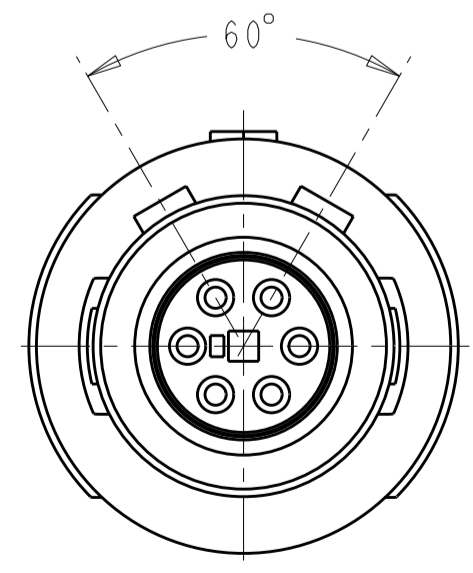
80° KEYING
SCALE 4:1



0° KEYING
SCALE 4:1



40° KEYING
SCALE 4:1



60° KEYING
SCALE 4:1

5	GRAY	60°	1877850-8
5	BLACK	60°	1877850-7
	GRAY	40°	1877850-6
	BLACK	40°	1877850-5
	GRAY	80°	1877850-4
	GRAY	0°	1877850-3
	BLACK	80°	1877850-2
	BLACK	0°	1877850-1
	LATCH HOUSING AND NUT COLOR	KEYING	PART NO.

DIMENSIONS: mm		TOLERANCES UNLESS OTHERWISE SPECIFIED:	
0 PLC	±	1 PLC	±0.13
2 PLC	±	3 PLC	±0.08
4 PLC	±	ANGLES	±1°
MATERIAL	1	FINISH	2

DWN K. MILLER 09MAR2006	Tyco Electronics Harrisburg, PA 17105-3608
CHK L. BREKOSKY 09MAR2006	
APVD -	NAME
PRODUCT SPEC 108-2249	6 POSITION OVERMOLD CABLE NUT STRAIGHT PLUG ASSEMBLY
APPLICATION SPEC 114-13184	SIZE A2
WEIGHT -	CAGE CODE 00779
CUSTOMER DRAWING	DRAWING NO. 1877850
SCALE 5:1	SHEET 1 OF 1
	REV B4

X-ON Electronics

Largest Supplier of Electrical and Electronic Components

Click to view similar products for [Standard Circular Connector](#) category:

Click to view products by [TE Connectivity](#) manufacturer:

Other Similar products are found below :

[5M2530B10P](#) [600259N006](#) [600273N007](#) [6134-336-13149](#) [6134-337-11149](#) [6134-337-2390](#) [6134-341-17149](#) [6280-4SG-516](#) [6280-7SG-3DC](#)
[6290](#) [6291A](#) [66200A-10](#) [680-SMG](#) [681-PMG](#) [CXS3102A14S2P](#) [CXS3102A181S](#) [7251-5SG-300](#) [7271-6SG-300](#) [7282-3PG-300-CH3](#) [75-](#)
[474618-01S](#) [75-474618-04P](#) [75-474618-04S](#) [799539-000](#) [MI8-SE](#) [805-005-07NF11-19PC](#) [805-005-07NF15-7PA](#) [8280-4PG-516](#) [8280-7PG-](#)
[519](#) [8282-5PG-519](#) [836783-1](#) [MP-4102-25P-C](#) [862256-1](#) [864019-2](#) [866857-1](#) [867865-1](#) [PT01SP-14-18P](#) [PT08P-14-5S](#) [PTSF06SE-14-12S](#)
[120-1833-000](#) [QCM019PC2DC012B](#) [1-2069279-1](#) [121583-0217](#) [121667-0020](#) [129591AU](#) [1000B BULK](#) [RD10A16-19-P6CS051/1](#)
[RD10A20-31-P8CS051/1](#) [RD16A14-12-S6CS051/2](#) [1301240290](#) [1301240347](#) [1301860202](#)