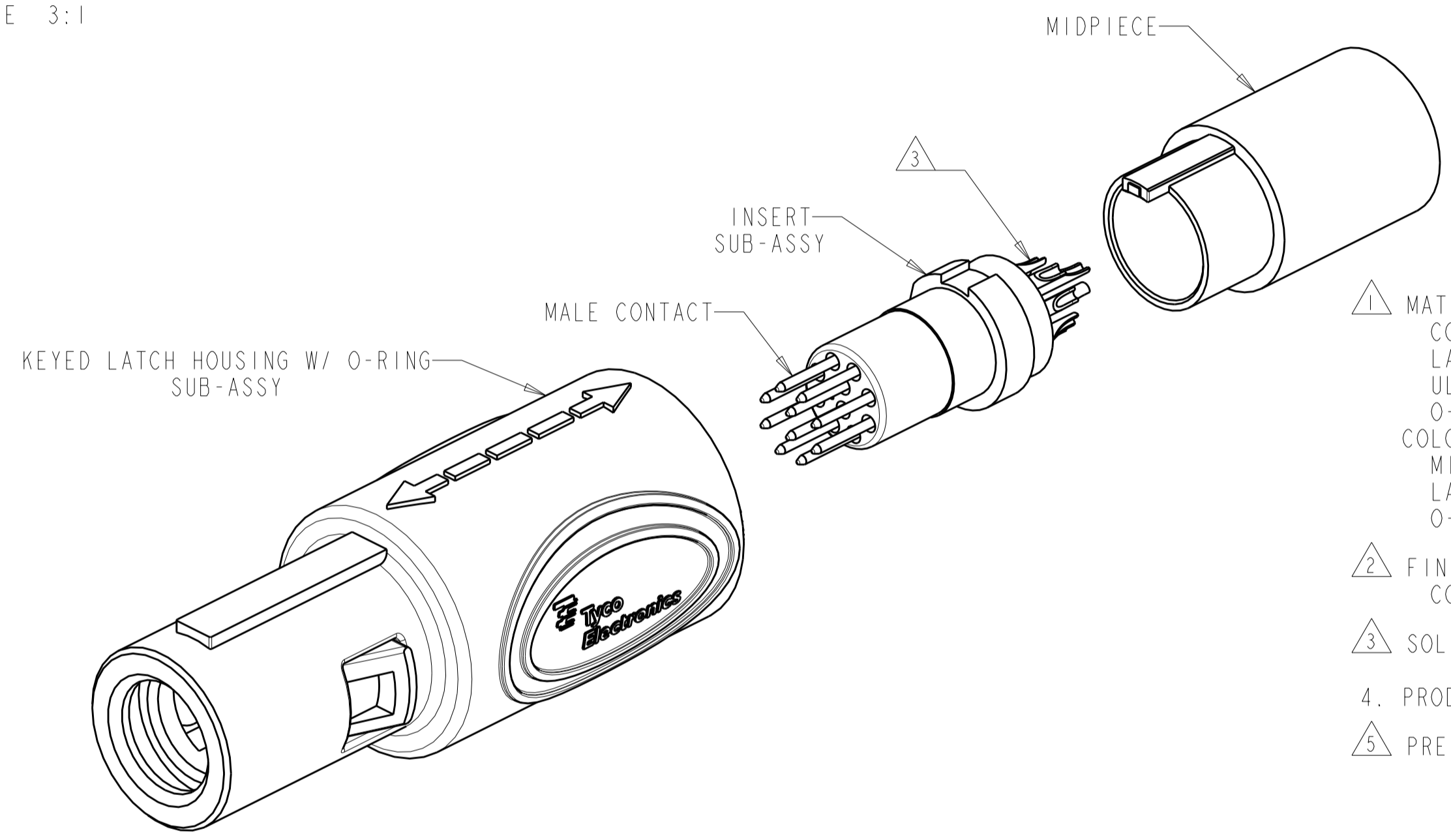
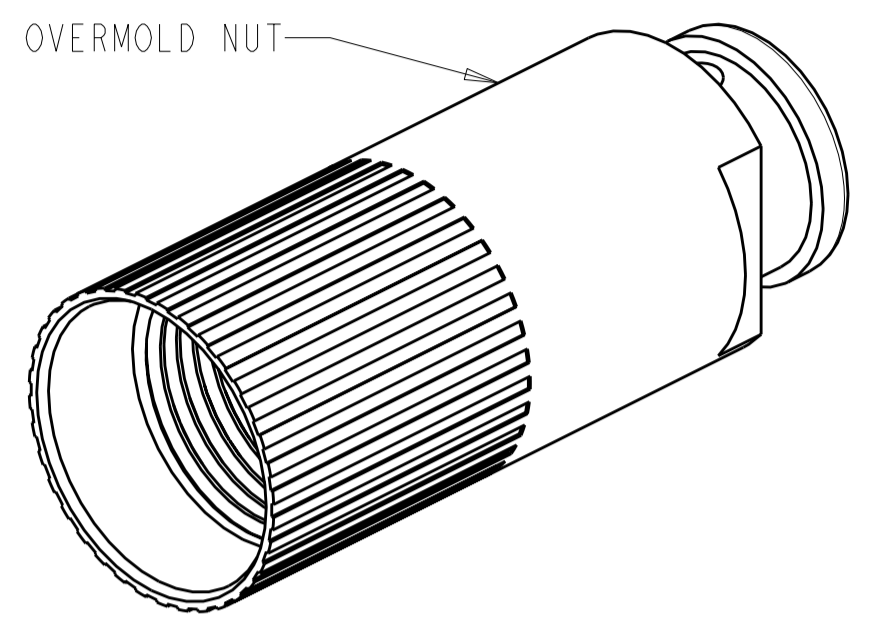
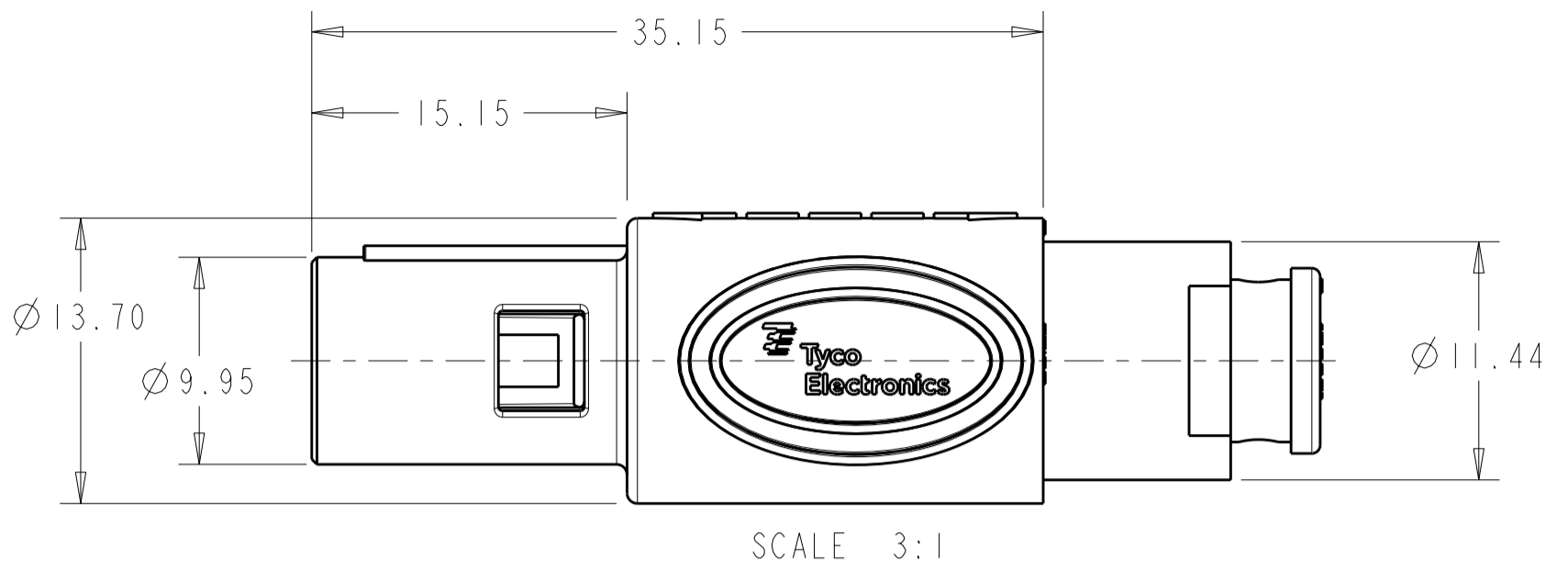
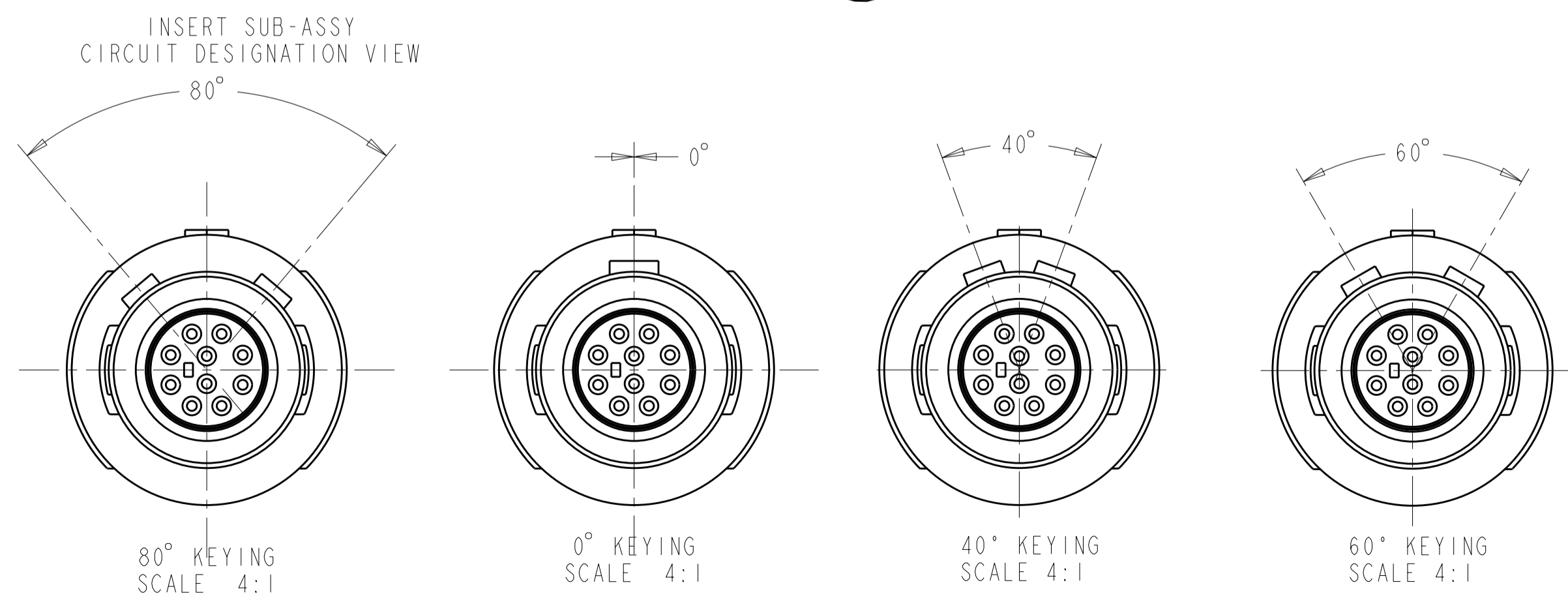
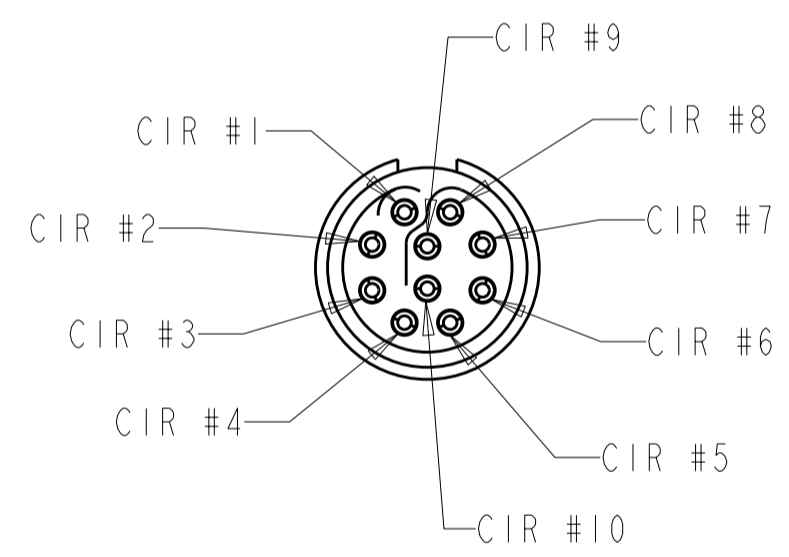


THIS DRAWING IS UNPUBLISHED. RELEASED FOR PUBLICATION 20
 © COPYRIGHT 20 BY TYCO ELECTRONICS CORPORATION. ALL RIGHTS RESERVED.

LOC	DIST	REVISIONS					
AD	00	P	LTR	DESCRIPTION	DATE	DWN	APVD
		B3		REVISED PER ECO-08-022187	06SEP2008	HMR	DR
		B4		REVISED PER ECO-09-008097	07APR2009	MF	DR



- ① MATERIAL:
 CONTACT: BRASS
 LATCH HOUSING, INSERT, MIDPIECE, NUT: UL 94V-0 RATED THERMOPLASTIC
 O-RING: ELASTOMER
 COLOR:
 MIDPIECE AND INSERT: GRAY
 LATCH HOUSING AND OVERMOLD NUT: SEE TABLE
 O-RING: BLACK
- ② FINISH:
 CONTACT, 0.75µm MIN. GOLD OVER NICKEL
- ③ SOLDER TERMINATION CONTACT, 28 AWG WIRE MAX.
- 4. PRODUCT IS SUPPLIED UNASSEMBLED
- ⑤ PRELIMINARY PART NUMBER.



⑤	GRAY	60°	1877852-8
⑤	BLACK	60°	1877852-7
	GRAY	40°	1877852-6
	BLACK	40°	1877852-5
	GRAY	80°	1877852-4
	GRAY	0°	1877852-3
	BLACK	80°	1877852-2
	BLACK	0°	1877852-1
	LATCH HOUSING AND NUT COLOR	KEYING	PART NO.

<small>THIS DRAWING IS A CONTROLLED DOCUMENT FOR TYCO ELECTRONICS CORPORATION. IT IS SUBJECT TO CHANGE AND THE CONTROLLING ENGINEERING ORGANIZATION SHOULD BE CONTACTED FOR THE LATEST REVISION.</small>		DWN: K. MILLER 09MAR2006 CHK: L. BREKOSKY 09MAR2006 APVD: -	Tyco Electronics Harrisburg, PA 17105-3608
DIMENSIONS: mm 	TOLERANCES UNLESS OTHERWISE SPECIFIED: 0 PLC ± 1 PLC ±0.13 2 PLC ±0.08 3 PLC ± 4 PLC ± ANGLES ±1° FINISH	PRODUCT SPEC: 108-2249 APPLICATION SPEC: 114-13184 WEIGHT: -	NAME: 10 POSITION OVERMOLD CABLE NUT STRAIGHT PLUG ASSEMBLY SIZE: A2 CAGE CODE: 00779 DRAWING NO: 1877852 RESTRICTED TO: -
MATERIAL: ① -		CUSTOMER DRAWING SCALE 5:1 SHEET 1 OF 1 REV B4	

X-ON Electronics

Largest Supplier of Electrical and Electronic Components

Click to view similar products for [Standard Circular Connector](#) category:

Click to view products by [TE Connectivity](#) manufacturer:

Other Similar products are found below :

[C015](#) [10F006](#) [001](#) [1](#) [5M2530B10P](#) [600247N007](#) [600259N006](#) [600273N007](#) [600432N009](#) [6280-2PG-519](#) [6280-3PG-311](#) [6280-3SG-311](#)
[6280-7SG-3DC](#) [6280-7SG-522](#) [6282-5PG-311](#) [6282-6PG-519](#) [6282-8SG-311](#) [6283-11](#) [6283-15](#) [6290](#) [6293](#) [6382-2PG-311](#) [6382-2PG-3DC](#)
[6382-2SG-321](#) [6382-2SG-3DC](#) [6382-4SG-516](#) [67-03E20-37P](#) [681-PMG](#) [CXS3102A14S2P](#) [CXS3102A181S](#) [CXS3106A14S6S](#) [MB12P-1](#)
[MB12R-6](#) [7251-2PG-300](#) [7251-2SG-300](#) [7251-4PG-300](#) [7251-4SG-300](#) [7251-5PG-300](#) [7251-5SG-300](#) [7251-6SG-300](#) [7251-7PG-300](#) [7251-](#)
[8PG-300](#) [7271-6SG-300](#) [7282-3PG-300-CH3](#) [73000005663](#) [75-190011-03P](#) [75-190216-08S](#) [75-190218-10P](#) [75-214636-52P](#) [75-474118-10P](#)
[75-474211-03P](#) [75-474218-19S](#) [75-474618-01S](#)