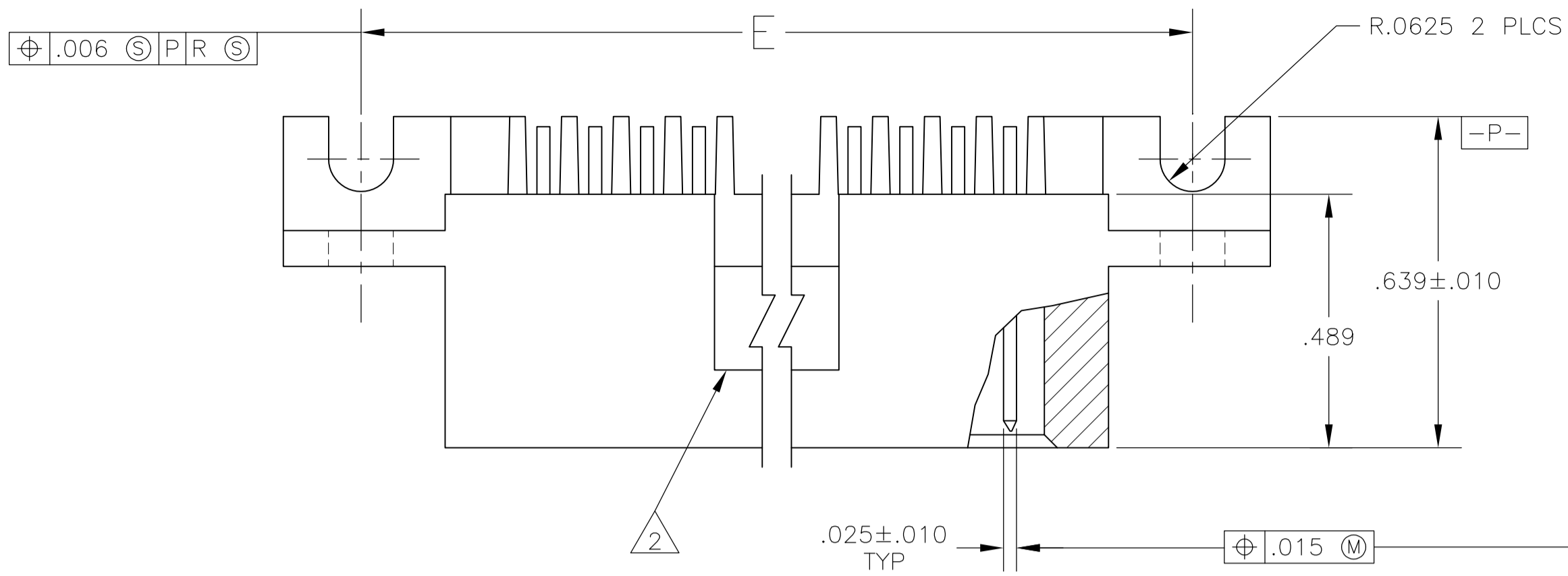
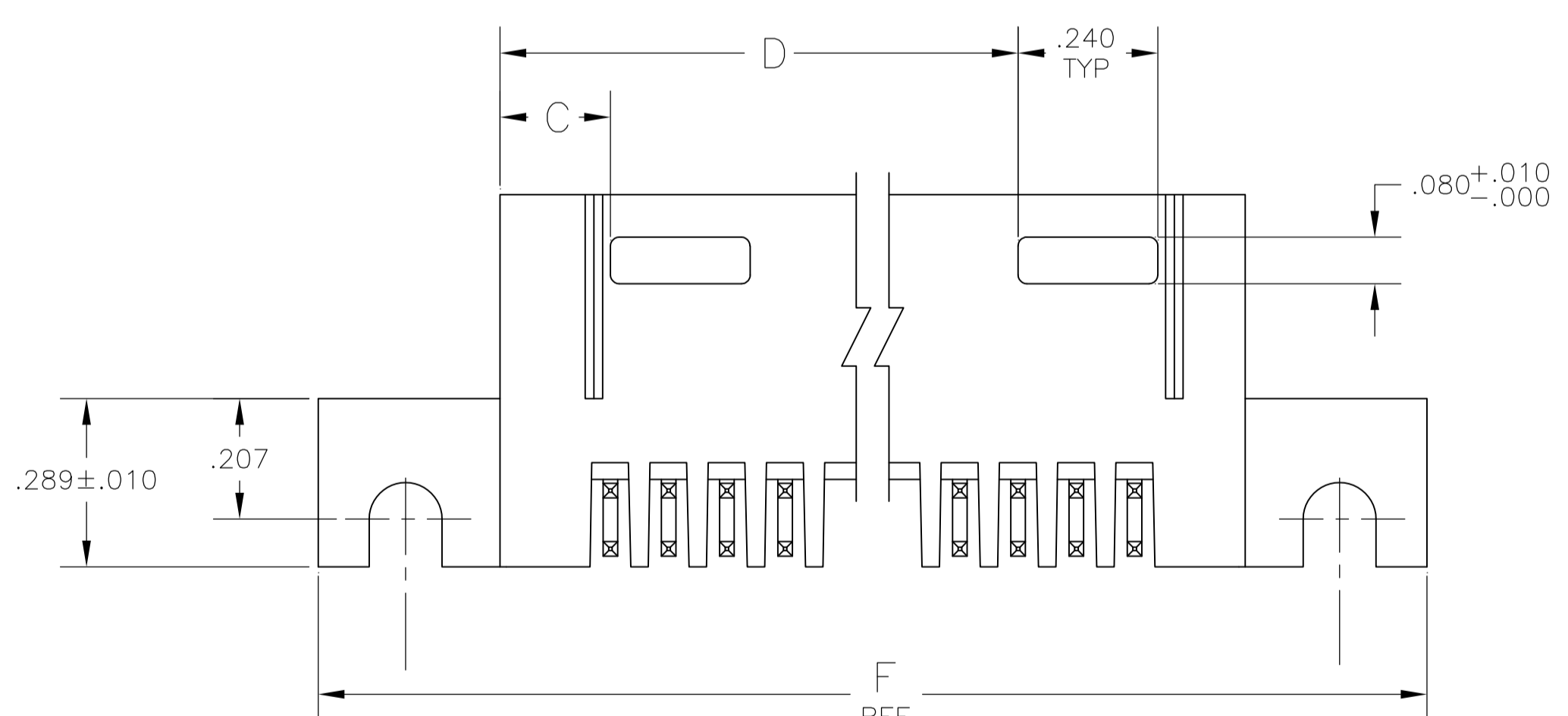
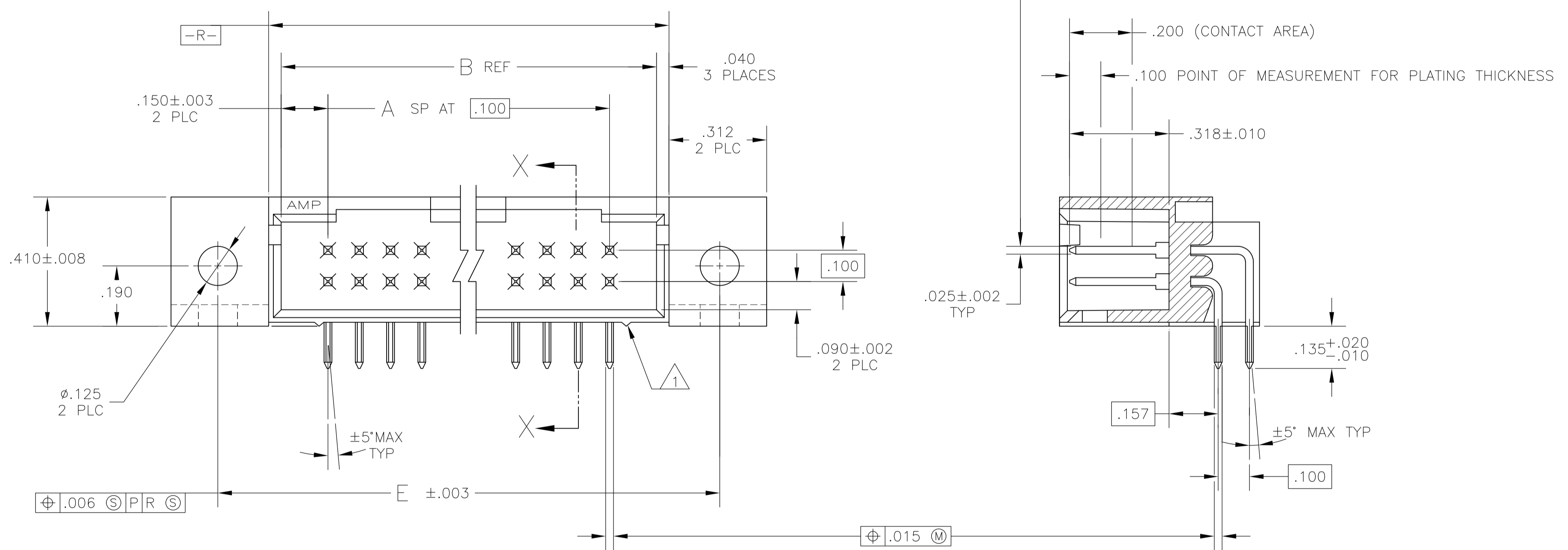


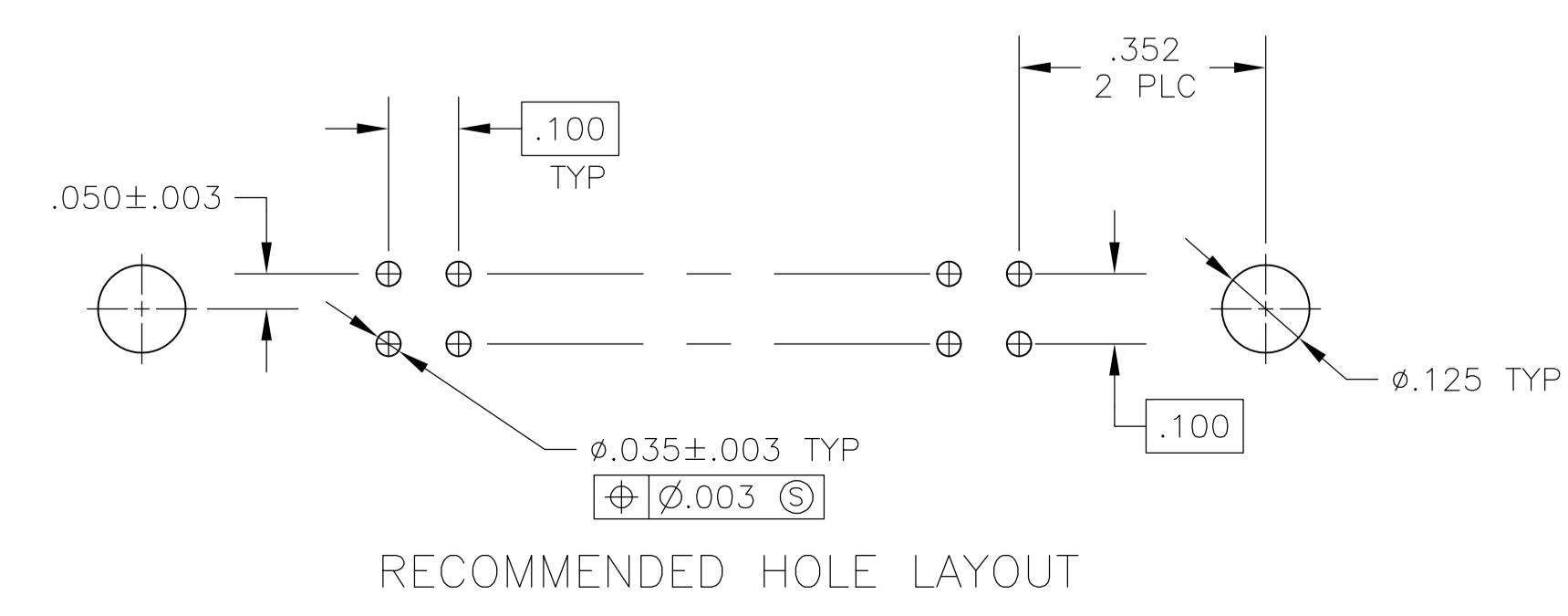
REV	DESCRIPTION	DATE	BY	APP'D
L1	REVISED PER ECO-09-021826	26AUG09	KK	AEG



- 1 STAND-OFFS:
 10 THRU 18 POS (2) REQD LOCATED AS SHOWN OUTBOARD OF END CIRCUITS
 20 THRU 38 POS (3) REQD LOCATED OUTBOARD OF END CIRCUITS PLUS (1) CENTERED
 40 THRU 60 POS (4) REQD LOCATED OUTBOARD OF END CIRCUITS WITH (2) EVENLY SPACED
 WITHIN THE REMAINING LENGTH
- 2 ACCESS SLOT
- 3 OBSOLETE PARTS: OBSOLETE CIS STREAMLINING
 PER D.RENAUD/D.SINISI



	F	E	D	C	B	A	NO OF POSN	ASSEMBLY PART NUMBER
3								
3								



THIS DRAWING IS A CONTROLLED DOCUMENT. DIN J GALLUCCI 11OCT89

Tyco Electronics
 Tyco Electronics Corporation
 Harrisburg, Pa 17105-3608

Dimensions: INCHES
Tolerances: UNLESS OTHERWISE SPECIFIED:
 0 PLC ± -
 1 PLC ± -
 2 PLC ± -
 3 PLC ± .005
 4 PLC ± -
 ANGLES ± -

MATERIAL: HOUSING: FLAME RETARDANT THERMOPLASTIC COLOR-BLACK POST: PHOS. BRONZE
FINISH: 50 GOLD IN CONTACT COLD FLASH ON SOLDER AREA ALL OVER .000250 NICKEL ON ENTIRE POST.

APPROVED: R FLICKER 25OCT89
NAME: R FLICKER
PRODUCT SPEC:
APPLICATION SPEC:
SIZE: A1
SCALE: 4:1
WEIGHT:
RESTRICTED TO:

Customer Drawing **SCALE:** 4:1 **SHEET:** 1 of 1 **REV:** L1

X-ON Electronics

Largest Supplier of Electrical and Electronic Components

Click to view similar products for [Headers & Wire Housings](#) category:

Click to view products by [TE Connectivity](#) manufacturer:

Other Similar products are found below :

[95000-104TRLF](#) [10135584-644402LF](#) [DF62W-EP2022PCA](#) [95000-106TRLF](#) [DF62W-2022SCA](#) [DF62W-EP2022PC](#) [2203348](#) [DF62W-2022SC](#) [1084018](#) [1029039](#) [1084017](#) [802-10-012-10-002000](#) [1112640](#) [1112639](#) [891-007-9SS-BST1T](#) [000-34000](#) [0008550134](#) [0009482033](#) [0009507031](#) [57102-F02-18ULF](#) [57102-S06-03LF](#) [57202-S52-04LF](#) [PCN6-15S-2.5E](#) [0039019024](#) [58102-G61-06LF](#) [582553-1](#) [0009485154](#) [0009508121](#) [009176003701906](#) [0022285053](#) [0050291907](#) [018731A](#) [LY20-4P-DT1-P1E-BR](#) [02.125.8002.8](#) [60101931](#) [60598-1 \(Cut Strip\)](#) [M1625-3R/100](#) [61062-3](#) [61082-181009](#) [CSU011177004](#) [636-1427](#) [638009-1](#) [641938-9](#) [641991-4](#) [644168-1](#) [644827-2](#) [647662-1](#) [65039-019ELF](#) [65692-001LF](#) [65781-018](#)