

THIS DRAWING IS UNPUBLISHED.

RELEASED FOR PUBLICATION

ALL RIGHTS RESERVED.

© COPYRIGHT - By -

LOC E DIST B

REVISIONS

P	LTR	DESCRIPTION	DATE	DWN	APVD
P		REVISED PER ECO-11-005150	21MAR11	RK	HMR

TECHNICAL SPECIFICATION

DISSIPATION AT 25°C

50 WATTS MOUNTED ON STANDARD HEATSINK R01 TO 50 K

BS OHMIC RANGE STABILITY

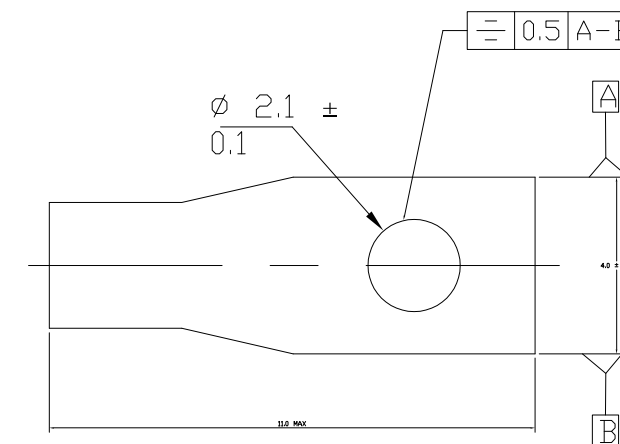
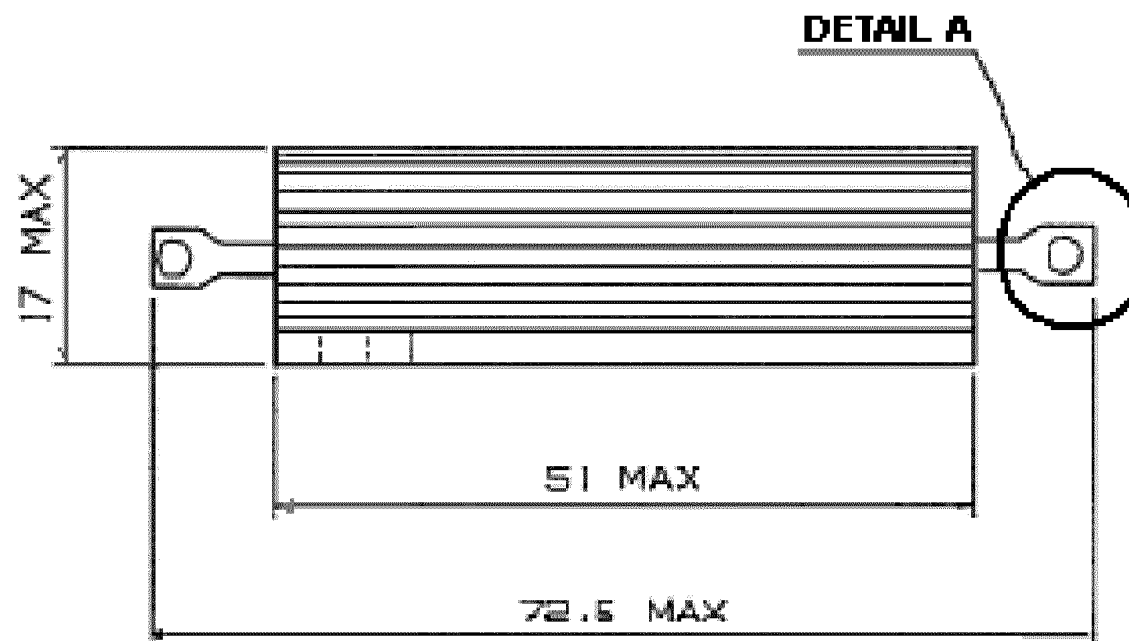
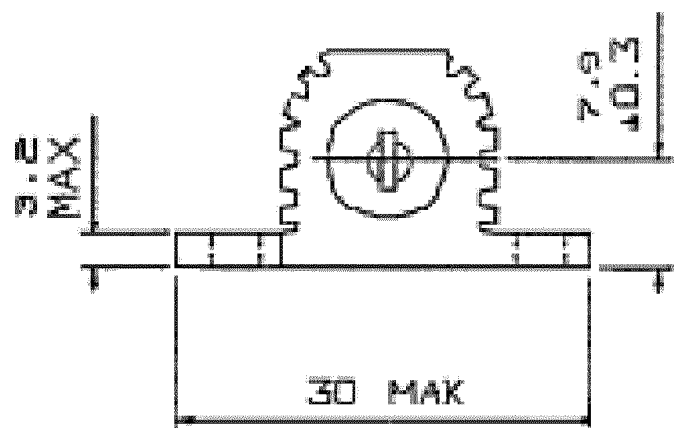
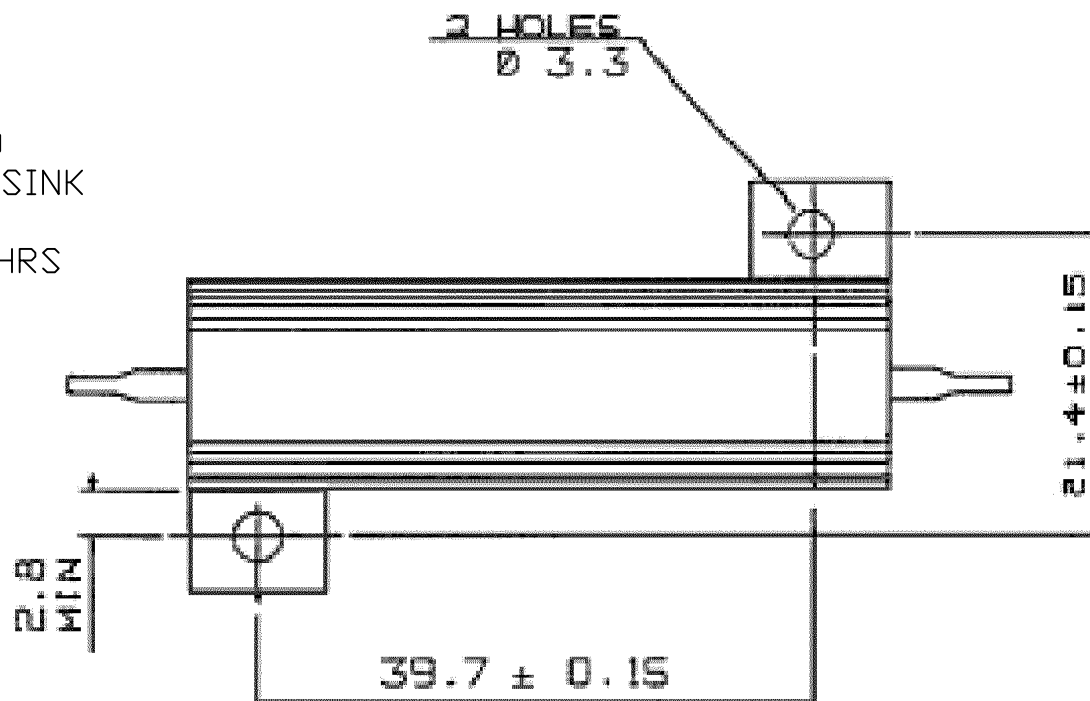
$\Delta R \leq 1\%$ PER 1000 HRS

ISOLATION VOLTAGE
MAX WORKING VOLTAGE
TEMP COEFFICIENT

2500V DC/AC PK
1250V DC/AC RMS
<100R ± 50 ppm/°C
>100R ± 30 ppm/°C

CLIMATIC CATEGORY

55/200/56



DETAIL A

FOR A SPECIFIC PN FOR A RESISTANCE VALUE AND TOLERANCE, PLEASE REFER TO DMF.

RoHS Compliant

THIS DRAWING IS A CONTROLLED DOCUMENT.		DWN	ROB BLANCH	19SEPT06	STE TE Connectivity			
DIMENSIONS: mm		CHK	J CATCHPOLE	19SEPT06				
TOLERANCES UNLESS OTHERWISE SPECIFIED:		APVD	J CATCHPOLE	19SEPT06	NAME			
0 PLC	$\pm -$	PRODUCT SPEC			THS50 NARROW BORE METAL CLAD RESISTOR			
1 PLC	$\pm -$	APPLICATION SPEC			SIZE	CAGE CODE	DRAWING NO	RESTRICTED TO
2 PLC	$\pm -$	MATERIAL			A300779			
3 PLC	$\pm -$	FINISH			C-1879071			
4 PLC	$\pm -$	WEIGHT			CUSTOMER DRAWING			
ANGLES	$\pm -$	SCALE			NTS			
		SHEET			1 OF 1			
		REV			P			

X-ON Electronics

Largest Supplier of Electrical and Electronic Components

Click to view similar products for [Wirewound Resistors - Chassis Mount](#) category:

Click to view products by [TE Connectivity](#) manufacturer:

Other Similar products are found below :

[CS6600552K000B8768](#) [RER50F7R50RC02](#) [RER70F9R80RC02](#) [RER75F4991MC02](#) [2-1623821-6](#) [RBSA20008R800KGBLT](#)
[RER65F1R50PC02](#) [VK100NA-200](#) [VK100NA-50](#) [VK100NA-750](#) [40/70MJ2K00BE](#) [VP10FA-3K](#) [VP50KA-20K](#) [VPR10F-13.5K](#) [VPR10F-4.5K](#) [VPR10F-700](#) [VPR10F-7.5K](#) [VPR20H150](#) [VPR5F-22.5K](#) [VRH320 3K3 K](#) [RER75F1R00RC02](#) [RER70F27R4P](#) [VPR5F-600](#) [VPR5F250](#)
[VPR10F-8K](#) [VPR10F-6K](#) [VPR10F225](#) [VPR10F-1.75K](#) [VPR10F-1.25K](#) [VPR10F-125](#) [VPR10F10](#) [VP50KA-12K](#) [VP50KA-100K](#) [VP25KA-5000](#) [VK100NA250](#) [VK100NA-15](#) [VPR10F-8.5K](#) [VPR10F-0.4](#) [SL130J100K-12](#) [VPR10F-12.5K](#) [HSC1004R0F](#) [HSC1008R0F](#)
[GWK150J3309KLX000](#) [VRH320 100R K](#) [25WM110](#) [40/70MJ230R0HE](#) [VK200WA-300](#) [VPR20H-2K](#) [1-2176248-5](#) [C300KR75E](#)