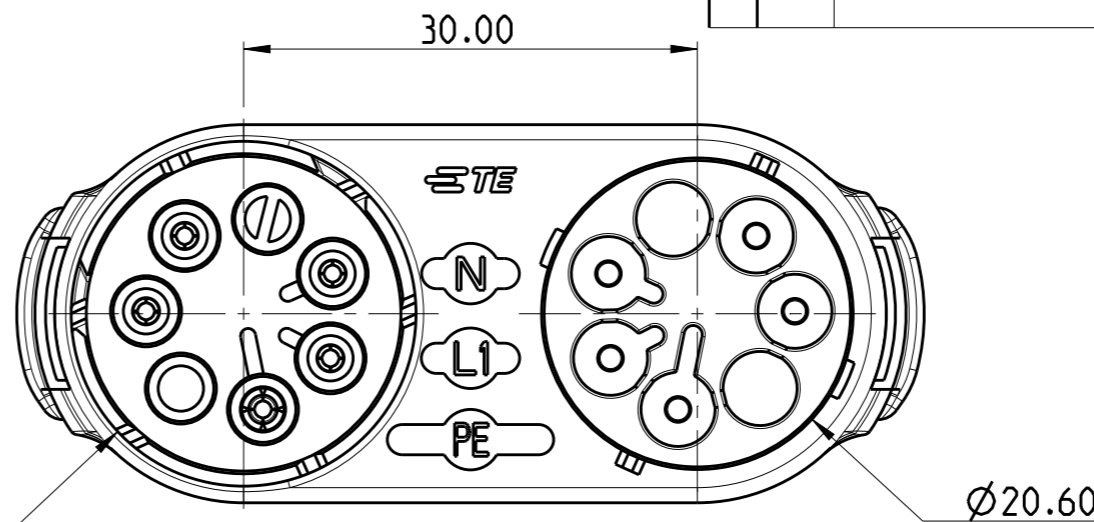
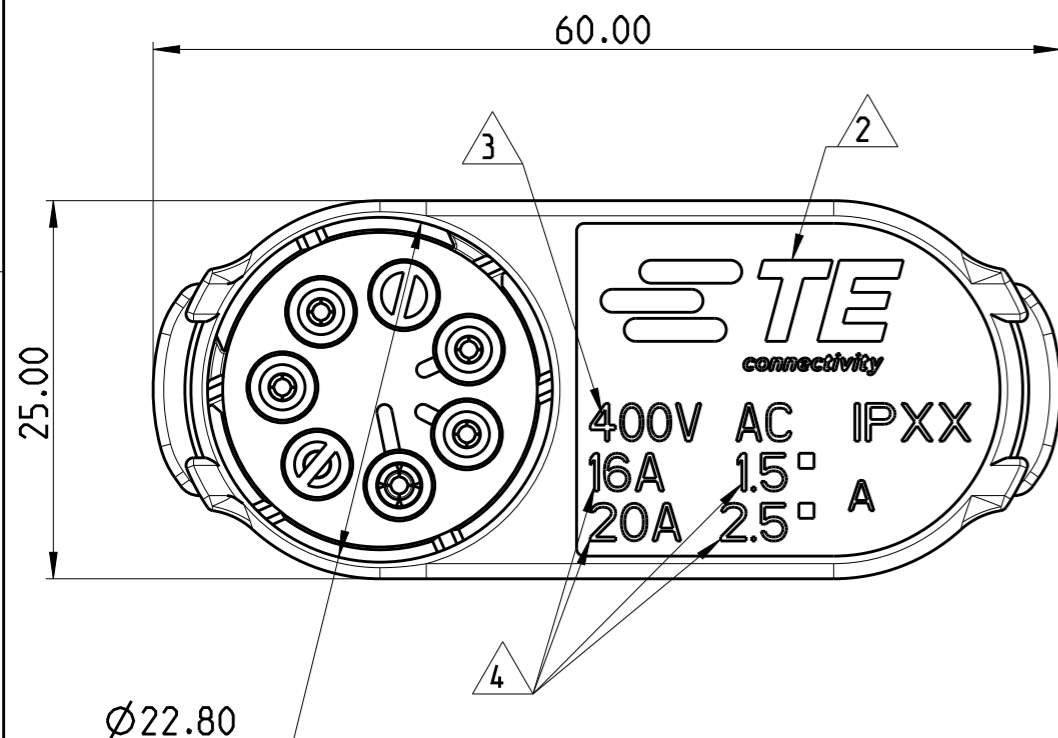


THIS DRAWING IS UNPUBLISHED. RELEASED FOR PUBLICATION 2013
 © COPYRIGHT 2013 BY - ALL RIGHTS RESERVED.

LOC	DIST	REVISIONS					
		P	LTR	DESCRIPTION	DATE	DWN	APVD
-	-		1	FIRST ISSUE	08MAY2013	KR	JC
			A	PARTS RELEASED FOR PRODUCTION	19NOV2013	KR	JC
			B	ECR-18-006945	06AUG2018	SR	MZ



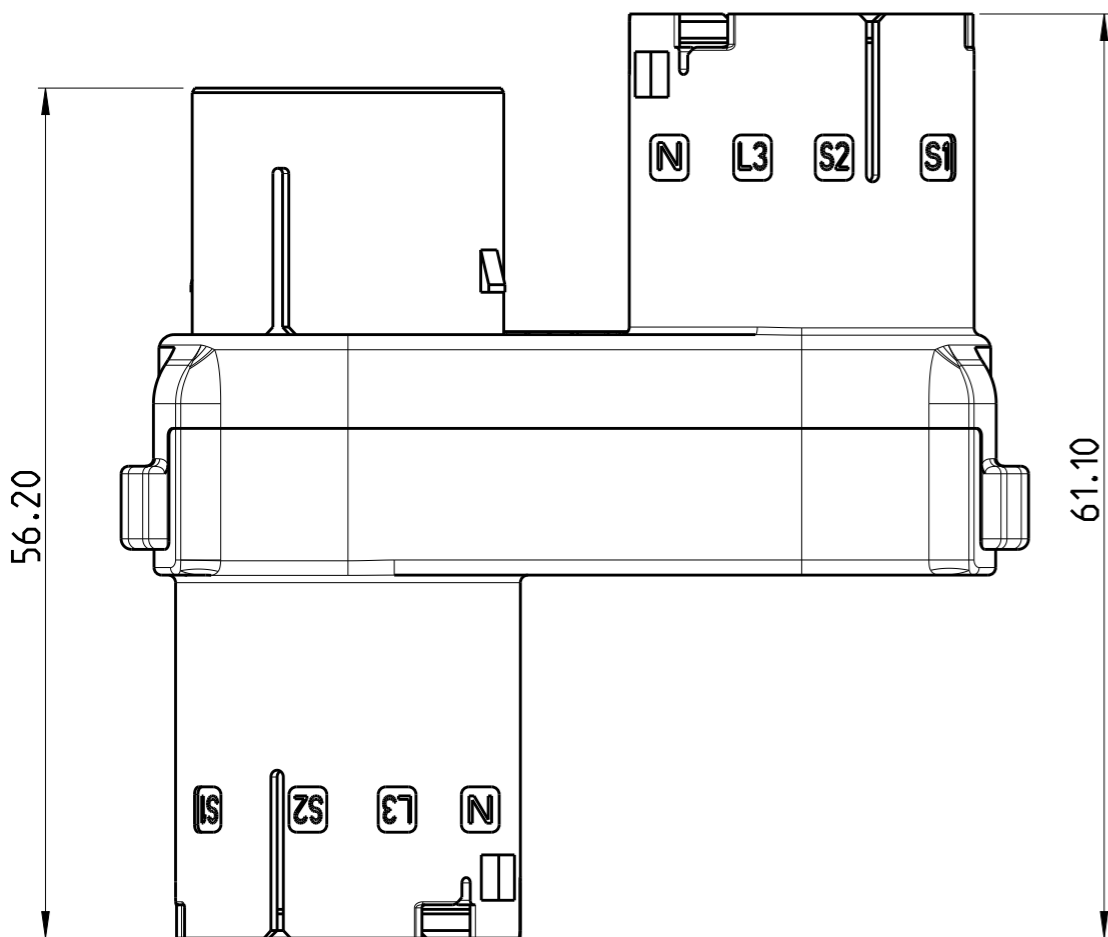
TE
connectivity

400V AC IPXX
16A 15°
20A 25° A

COLOUR	POL. KEYING	DESCRIPTION	DRAWING REFERENCE	REV.
OBSOLETE	BLACK	E-E T-SPLITTER 5 POS CONN. NECTOR* M-LINE 5 POS	1-1879995-5	A
OBSOLETE	BLACK	D-D T-SPLITTER 5 POS CONN. NECTOR* M-LINE 5 POS	1-1879995-4	A
	BLACK	C-C T-SPLITTER 5 POS CONN. NECTOR* M-LINE 5 POS	1-1879995-3	A
	BLACK	B-B T-SPLITTER 5 POS CONN. NECTOR* M-LINE 5 POS	1-1879995-2	A
	BLACK	A-A T-SPLITTER 5 POS CONN. NECTOR* M-LINE 5 POS	1-1879995-1	A
OBSOLETE	NATURAL	E-E T-SPLITTER 5 POS CONN. NECTOR* M-LINE 5 POS	1879995-5	A
OBSOLETE	NATURAL	D-D T-SPLITTER 5 POS CONN. NECTOR* M-LINE 5 POS	1879995-4	A
	NATURAL	C-C T-SPLITTER 5 POS CONN. NECTOR* M-LINE 5 POS	1879995-3	A
	NATURAL	B-B T-SPLITTER 5 POS CONN. NECTOR* M-LINE 5 POS	1879995-2	A
	NATURAL	A-A T-SPLITTER 5 POS CONN. NECTOR* M-LINE 5 POS	1879995-1	A

NOTES:

- 1) FOR ALL POLARISATION KEYS SEE TABLE ON SHEET 2 OF 2.
- 2) TE LOGO
- 3) RATED VOLTAGE
- 4) RATED CURRENT AND CABLE SIZE
- 5) PARTS UNDER APPROVAL ACCORDING TO IEC 61535. PARTS TO BE TESTED ACCORDING TO INTERNAL TE ENDURANCE TESTS PROCEDURE



THIS DRAWING IS A CONTROLLED DOCUMENT.		DWN K. RAGHAVENDRA 08MAY2013		
DIMENSIONS: mm		CHK M. ZUCCA 08MAY2013		
TOLERANCES UNLESS OTHERWISE SPECIFIED:		APVD J. CATCHPOLE 08MAY2013		
0 PLC ±.4 1 PLC ±.4 2 PLC ±0.3 3 PLC ±0.2 4 PLC ±.4 ANGLES ±3°		PRODUCT SPEC		
MATERIAL -		FINISH -	NAME T-SPLITTER CONNECTOR NECTOR* M-LINE 5 POS	
		WEIGHT -	SIZE A3	CAGE CODE 00779
			DRAWING NO C-1879995	
			RESTRICTED TO	
		Customer Drawing	SCALE 1:1	SHEET 1 OF 2
			REV B	

THIS DRAWING IS UNPUBLISHED.

RELEASED FOR PUBLICATION

2013

© COPYRIGHT 2013 BY -

ALL RIGHTS RESERVED.

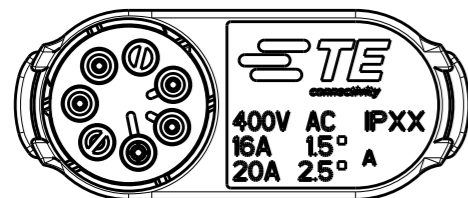
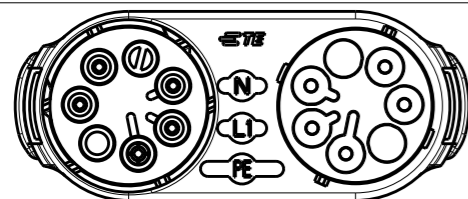
LOC	DIST
-	-

REVISIONS

P	LTR	DESCRIPTION	DATE	DWN	APVD
-	-	SEE SHEET 1	-	-	-

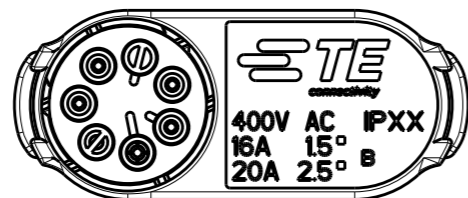
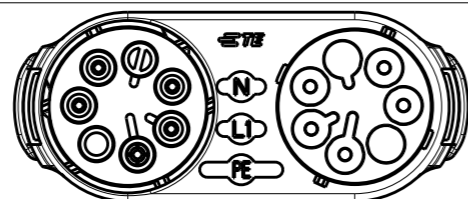
POLARISATION KEYS

TYPE "A-A"



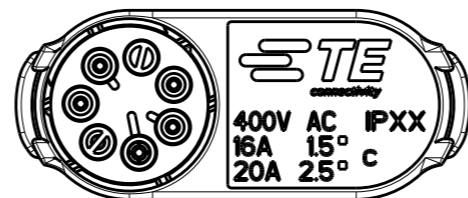
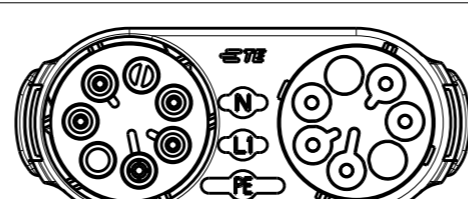
P/N 1879995-1 AND P/N 1-1879995-1

TYPE "B-B"



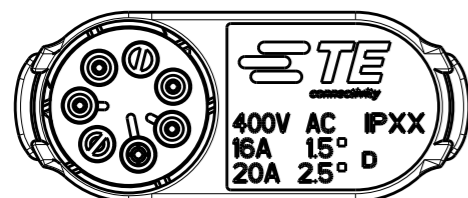
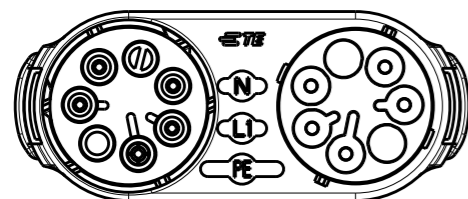
P/N 1879995-2 AND P/N 1-1879995-2

TYPE "C-C"



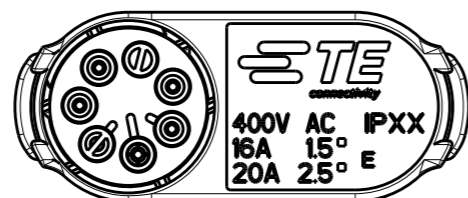
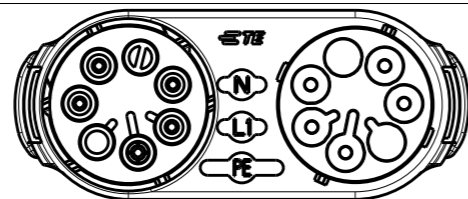
P/N 1879995-3 AND P/N 1-1879995-3

TYPE "D-D"



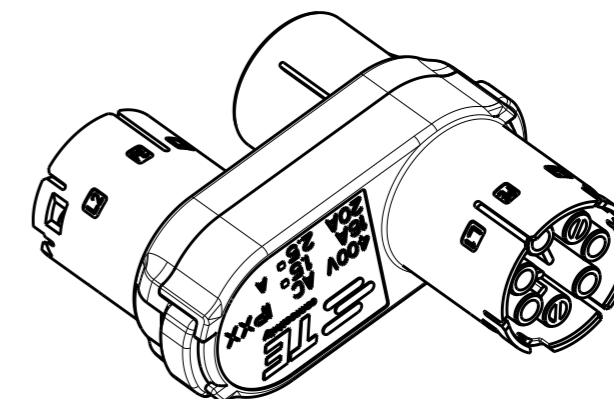
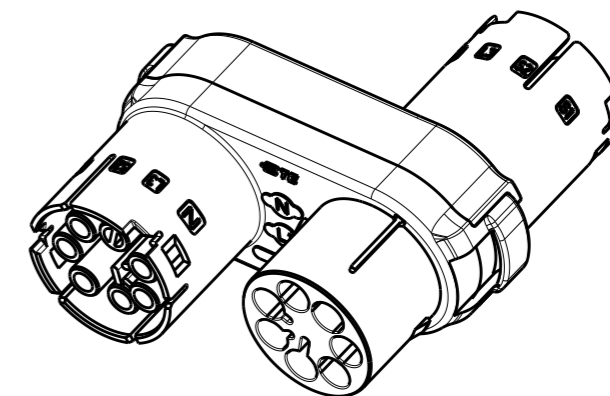
~~P/N 1879995-4 AND P/N 1-1879995-4~~

TYPE "E-E"



~~P/N 1879995-5 AND P/N 1-1879995-5~~

3D VIEWS.
FOR REFERENCE ONLY



THIS DRAWING IS A CONTROLLED DOCUMENT.

DIMENSIONS:	TOLERANCES UNLESS OTHERWISE SPECIFIED:
mm	
	0 PLC ±.4
	1 PLC ±.4
	2 PLC ±0.3
	3 PLC ±0.2
	4 PLC ±.4
	ANGLES ±.3°
MATERIAL -	FINISH -

DWN	08MAY2013
K. RAGHAVENDRA	
CHK	08MAY2013
M. ZUCCA	
APVD	08MAY2013
J. CATCHPOLE	
PRODUCT SPEC	-
APPLICATION SPEC	-
WEIGHT	-



NAME
T-SPLITTER CONNECTOR
NECTOR* M-LINE 5 POS

SIZE	CAGE CODE	DRAWING NO	RESTRICTED TO
A3	00779	C-1879995	-

Customer Drawing SCALE 1:1 SHEET 2 OF 2 REV B

X-ON Electronics

Largest Supplier of Electrical and Electronic Components

Click to view similar products for [Lighting Connectors](#) category:

Click to view products by [TE Connectivity](#) manufacturer:

Other Similar products are found below :

[293300-7](#) [293660-5](#) [CNX_H03_NTP](#) [30-9767-BU](#) [3605](#) [3-21030-1](#) [ZCH-110-RGB-I](#) [503471-0290](#) [ZCH-110-RGB-J](#) [217-0716-200](#)
[1954563-1](#) [1-293657-2](#) [2834036-1](#) [2834037-1](#) [1-2213222-4](#) [2-2213222-4](#) [2213222-4](#) [2834122-3](#) [2834122-5](#) [2834135-2](#) [FLA-R4142-30](#)
[FLA-R4162-30](#) [FLA-R2142-30](#) [FLA-R2141-30](#) [FLA-R2162-30](#) [FLA-R2161-30](#) [FLA-R0161-30](#) [FLA-R0141-30](#) [FLA-R0142-30](#) [FLA-](#)
[R0162-30](#) [FLA-C00-00](#) [DGA00010553](#) [CNXV04NTP](#) [104128-0610](#) [503485-0000 \(Cut Strip\)](#) [503485-0000 \(Loose Piece\)](#) [503485-0000](#)
[\(MINI Reel\)](#) [1-2834074-2](#) [1-2834074-3](#) [1357-AC PLUG W2C \(CHINA\)](#) [1357-AC PLUG W2 \(USA\)](#) [104266-0110](#) [2106212-1](#) [2-2834074-2](#)
[104266-0210](#) [293470-1](#) [293651-2](#) [293651-4](#) [1-2834006-2](#) [293651-1](#)