

THIS DRAWING IS UNPUBLISHED.

RELEASED FOR PUBLICATION

2013

© COPYRIGHT 2013 BY -

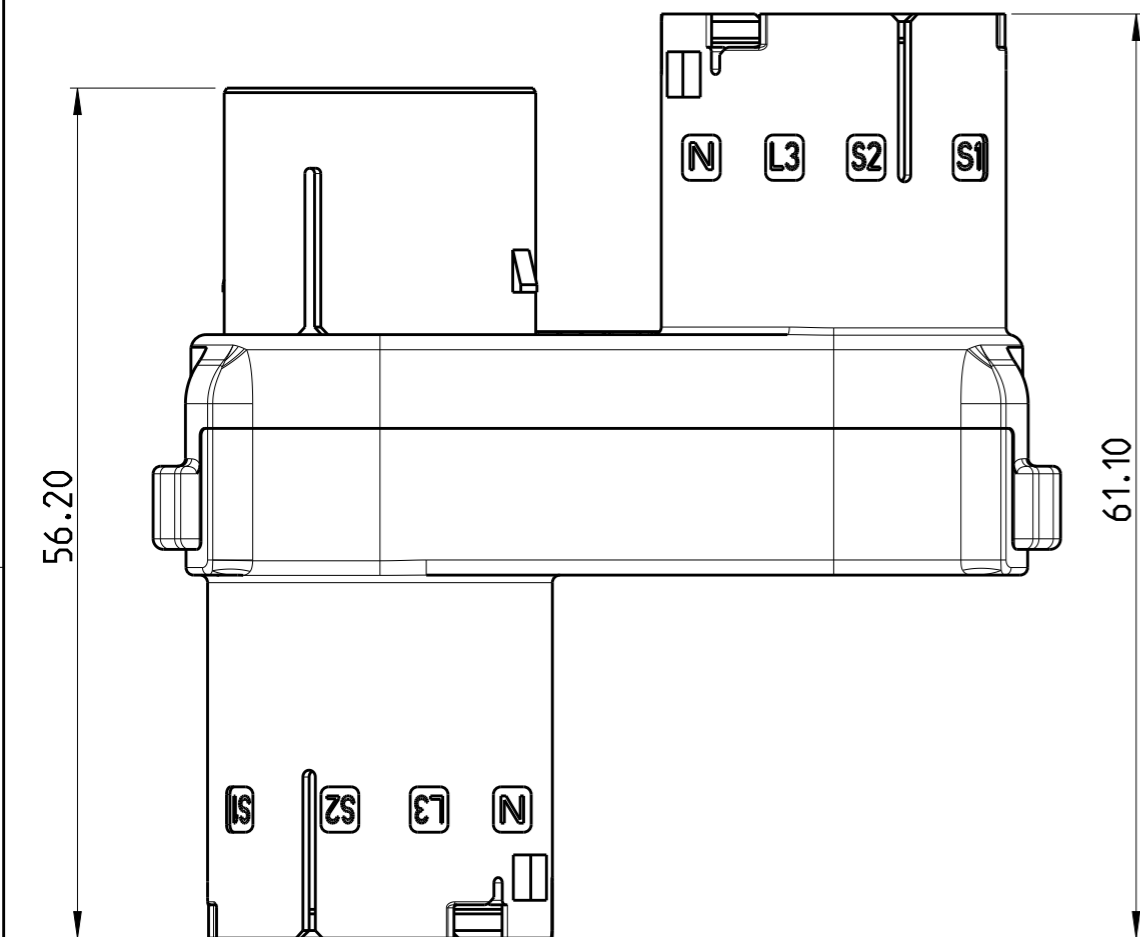
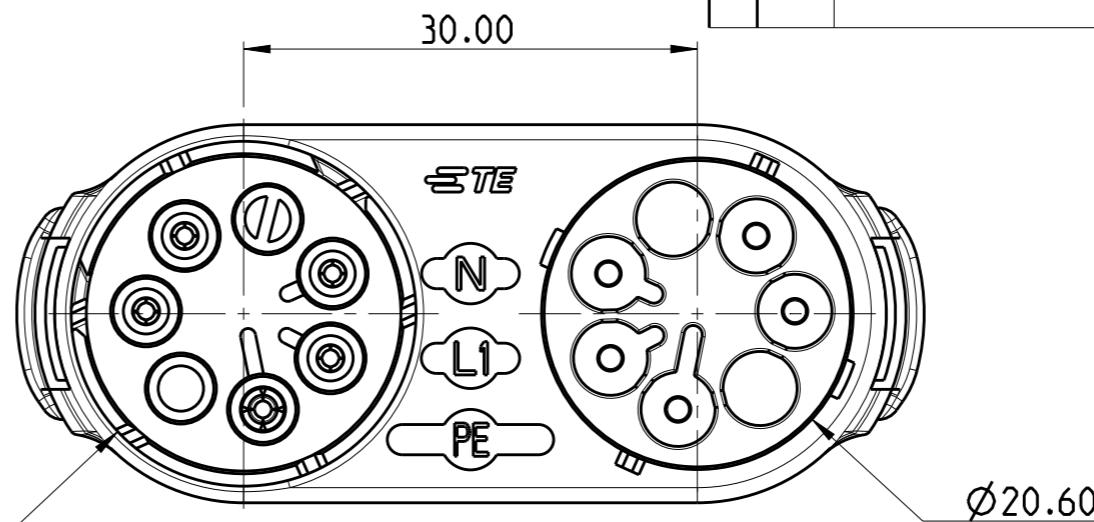
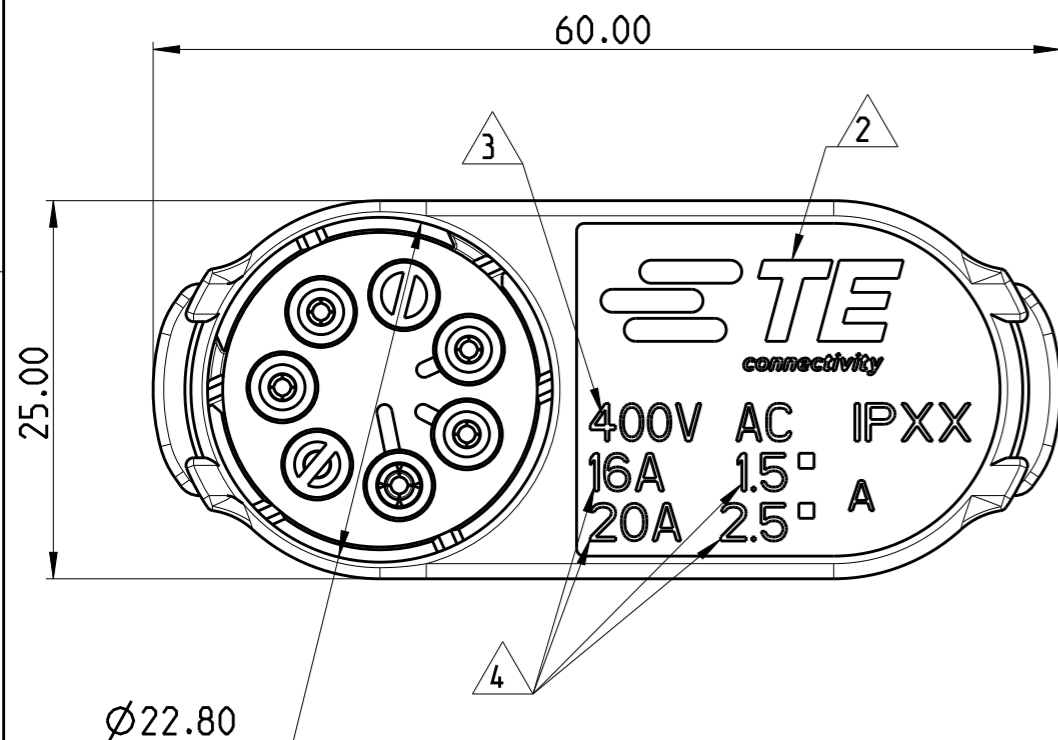
ALL RIGHTS RESERVED.

LOC -

DIST -

REVISIONS

P	LTR	DESCRIPTION	DATE	DWN	APVD
1		FIRST ISSUE	08MAY2013	KR	JC
A		PARTS RELEASED FOR PRODUCTION	19NOV2013	KR	JC
B		ECR-18-006945	06AUG2018	SR	MZ



NOTES:

1) FOR ALL POLARISATION KEYS SEE TABLE ON SHEET 2 OF 2.

2) TE LOGO

3) RATED VOLTAGE

4) RATED CURRENT AND CABLE SIZE

5) PARTS UNDER APPROVAL ACCORDING TO IEC 61535. PARTS TO BE TESTED ACCORDING TO INTERNAL TE ENDURANCE TESTS PROCEDURE

COLOUR	POL. KEYING	DESCRIPTION	DRAWING REFERENCE	REV.
OBSOLETE	BLACK	E-E T-SPLITTER 5 POS CONN. NECTOR* M-LINE 5 POS	1-1879995-5	A
OBSOLETE	BLACK	D-D T-SPLITTER 5 POS CONN. NECTOR* M-LINE 5 POS	1-1879995-4	A
	BLACK	C-C T-SPLITTER 5 POS CONN. NECTOR* M-LINE 5 POS	1-1879995-3	A
	BLACK	B-B T-SPLITTER 5 POS CONN. NECTOR* M-LINE 5 POS	1-1879995-2	A
	BLACK	A-A T-SPLITTER 5 POS CONN. NECTOR* M-LINE 5 POS	1-1879995-1	A
OBSOLETE	NATURAL	E-E T-SPLITTER 5 POS CONN. NECTOR* M-LINE 5 POS	1879995-5	A
OBSOLETE	NATURAL	D-D T-SPLITTER 5 POS CONN. NECTOR* M-LINE 5 POS	1879995-4	A
	NATURAL	C-C T-SPLITTER 5 POS CONN. NECTOR* M-LINE 5 POS	1879995-3	A
	NATURAL	B-B T-SPLITTER 5 POS CONN. NECTOR* M-LINE 5 POS	1879995-2	A
	NATURAL	A-A T-SPLITTER 5 POS CONN. NECTOR* M-LINE 5 POS	1879995-1	A

THIS DRAWING IS A CONTROLLED DOCUMENT.

DWN K. RAGHAVENDRA 08MAY2013

CHK M. ZUCCA 08MAY2013

APVD J. CATCHPOLE 08MAY2013

PRODUCT SPEC

APPLICATION SPEC

WEIGHT

Customer Drawing

TE Connectivity

T-SPLITTER CONNECTOR NECTOR\* M-LINE 5 POS

SIZE A3 CAGE CODE 00779 DRAWING NO C-1879995 RESTRICTED TO

SCALE 1:1 SHEET 1 OF 2 REV B

DIMENSIONS:	TOLERANCES UNLESS OTHERWISE SPECIFIED:
mm	
0 PLC	±0.3
1 PLC	±0.3
2 PLC	±0.2
3 PLC	±0.2
4 PLC	±0.2
ANGLES	±3°
MATERIAL	FINISH

THIS DRAWING IS UNPUBLISHED.

RELEASED FOR PUBLICATION

2013

© COPYRIGHT 2013 BY -

ALL RIGHTS RESERVED.

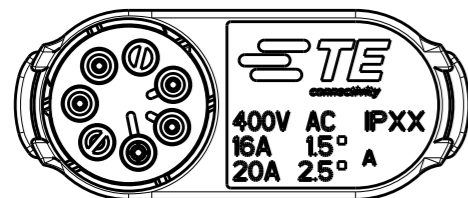
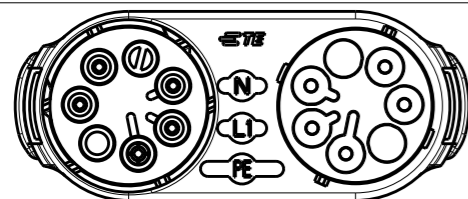
LOC	DIST
-	-

REVISIONS

P	LTR	DESCRIPTION	DATE	DWN	APVD
-	-	SEE SHEET 1	-	-	-

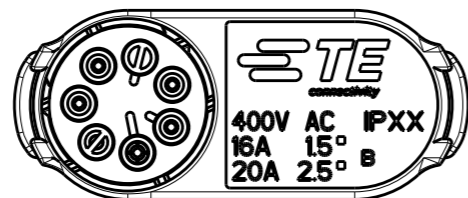
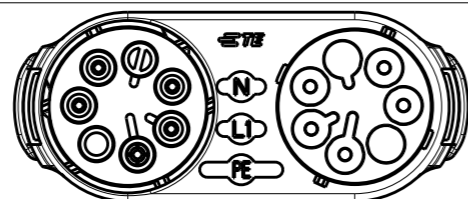
POLARISATION KEYS

TYPE "A-A"



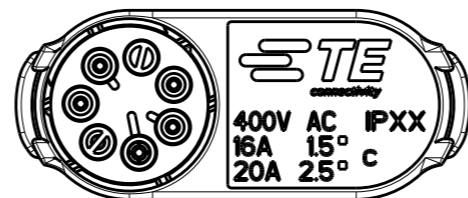
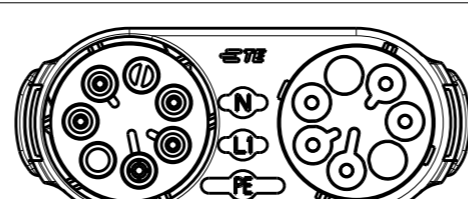
P/N 1879995-1 AND P/N 1-1879995-1

TYPE "B-B"



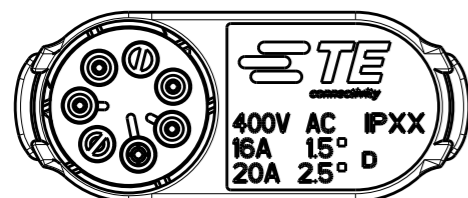
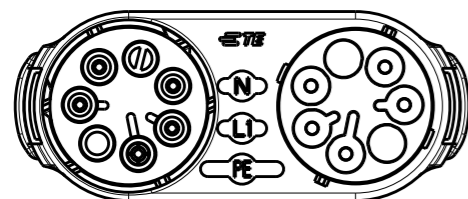
P/N 1879995-2 AND P/N 1-1879995-2

TYPE "C-C"



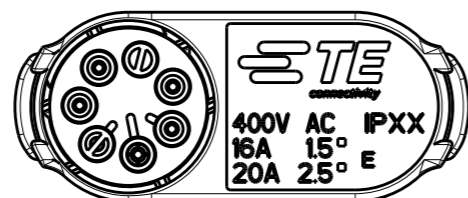
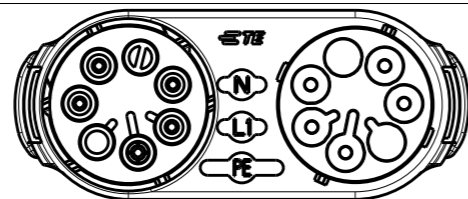
P/N 1879995-3 AND P/N 1-1879995-3

TYPE "D-D"



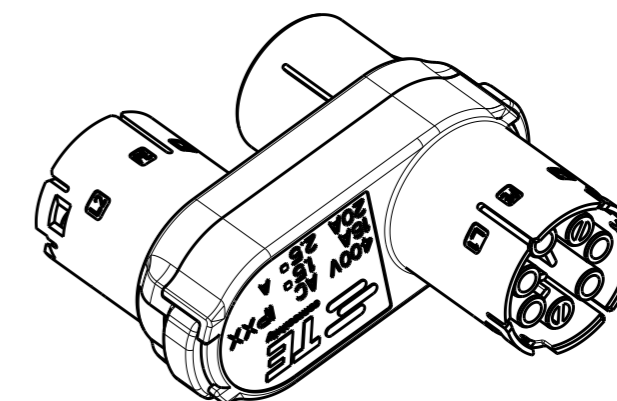
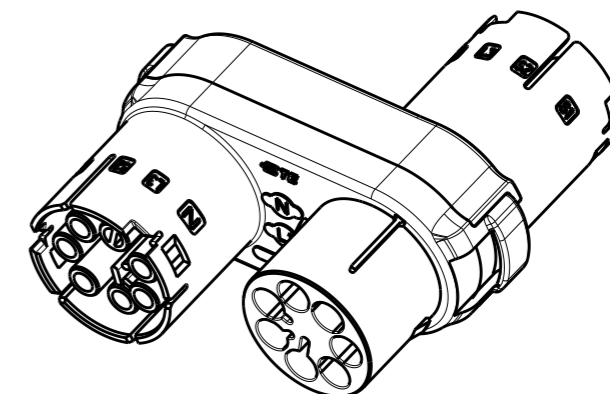
~~P/N 1879995-4 AND P/N 1-1879995-4~~

TYPE "E-E"

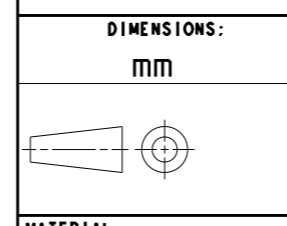


~~P/N 1879995-5 AND P/N 1-1879995-5~~

3D VIEWS.  
FOR REFERENCE ONLY



THIS DRAWING IS A CONTROLLED DOCUMENT.



MATERIAL -

DIMENSIONS:		TOLERANCES UNLESS OTHERWISE SPECIFIED:	
mm			
0 PLC	±	4	
1 PLC	±	0.3	
2 PLC	±	0.2	
3 PLC	±		
4 PLC	±		
ANGLES			±3°
FINISH			

DWN	08MAY2013
K. RAGHAVENDRA	
CHK	08MAY2013
M. ZUCCA	
APVD	08MAY2013
J. CATCHPOLE	
PRODUCT SPEC	
APPLICATION SPEC	
WEIGHT	

		NAME		RESTRICTED TO
		T-SPLITTER CONNECTOR NECTOR* M-LINE 5 POS		
SIZE	CAGE CODE	DRAWING NO		
A3	00779	C-1879995		
Customer Drawing		SCALE	SHEET	REV
		1:1	2 OF 2	B

## X-ON Electronics

Largest Supplier of Electrical and Electronic Components

*Click to view similar products for [Lighting Connectors](#) category:*

*Click to view products by [TE Connectivity](#) manufacturer:*

Other Similar products are found below :

[293300-7](#) [293660-5](#) [CNX\\_H03\\_NTP](#) [30-9767-BU](#) [3605](#) [3-21030-1](#) [ZCH-110-RGB-I](#) [503471-0290](#) [ZCH-110-RGB-J](#) [217-0716-200](#)  
[1954563-1](#) [1-293657-2](#) [2834036-1](#) [2834037-1](#) [1-2213222-4](#) [2-2213222-4](#) [2213222-4](#) [2834122-3](#) [2834122-5](#) [2834135-2](#) [FLA-R4142-30](#)  
[FLA-R4162-30](#) [FLA-R2142-30](#) [FLA-R2141-30](#) [FLA-R2162-30](#) [FLA-R2161-30](#) [FLA-R0161-30](#) [FLA-R0141-30](#) [FLA-R0142-30](#) [FLA-](#)  
[R0162-30](#) [FLA-C00-00](#) [DGA00010553](#) [CNXV04NTP](#) [104128-0610](#) [503485-0000 \(Cut Strip\)](#) [503485-0000 \(Loose Piece\)](#) [503485-0000](#)  
[\(MINI Reel\)](#) [1-2834074-2](#) [1-2834074-3](#) [1357-AC PLUG W2C \(CHINA\)](#) [1357-AC PLUG W2 \(USA\)](#) [104266-0110](#) [CNXV02NTP](#) [2106212-1](#)  
[2-2834074-2](#) [104266-0210](#) [293470-1](#) [293651-2](#) [293651-4](#) [1-2834006-2](#)