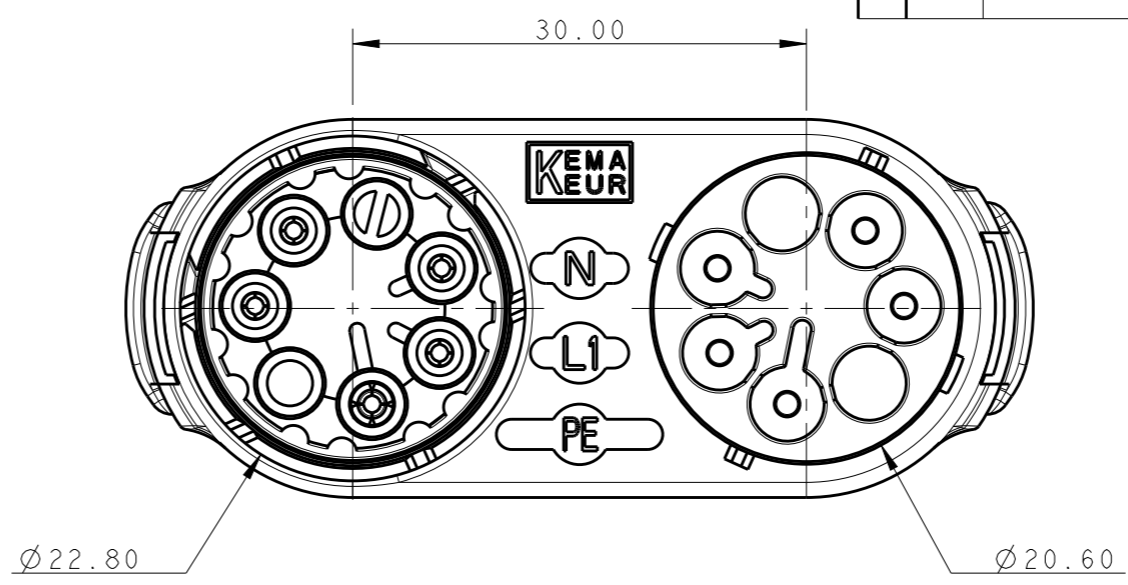
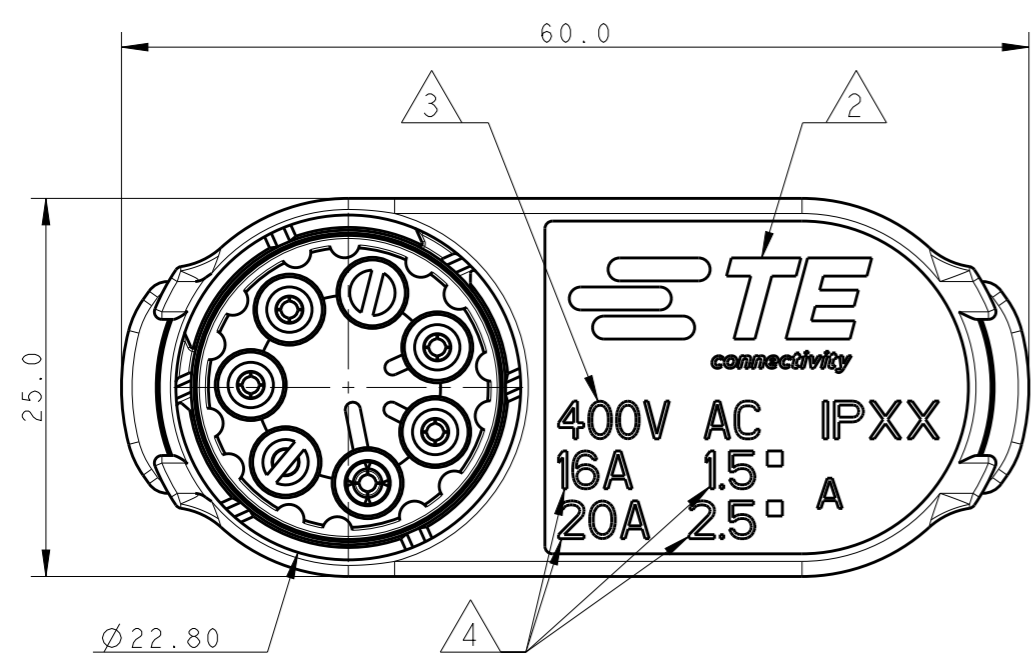
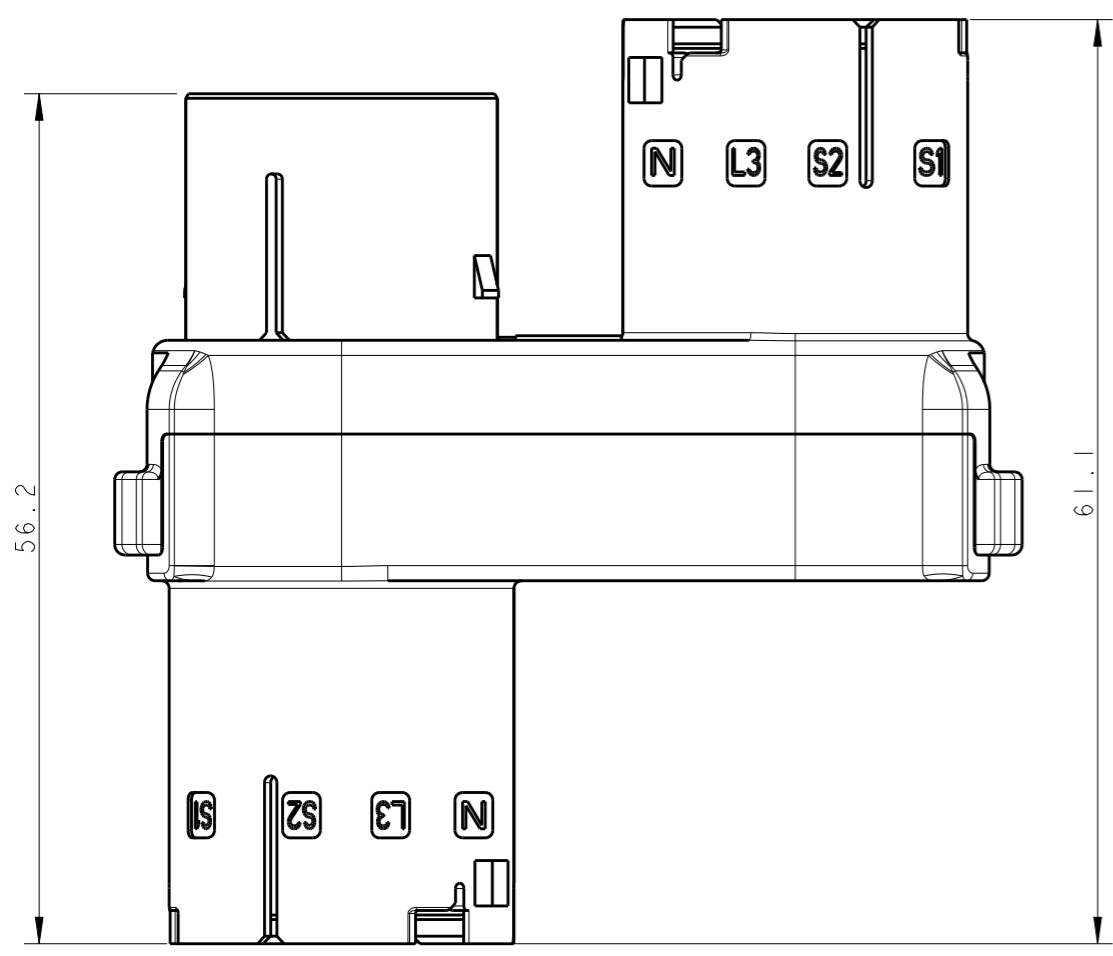


THIS DRAWING IS UNPUBLISHED. RELEASED FOR PUBLICATION 2013  
 © COPYRIGHT 2013 BY - ALL RIGHTS RESERVED.

REVISIONS					
P	LTR	DESCRIPTION	DATE	DWN	APVD
	B1	REVISED PER ECR-18-006945	29MAY2018	NG	MZ



- NOTES:
- FOR ALL POLARISATION KEYS SEE TABLE ON SHEET 2 OF 2
  - TE LOGO
  - RATED VOLTAGE
  - RATED CURRENT AND CABLE SIZE
  - PARTS UNDER APPROVAL ACCORDING TO IEC 61535. PARTS TO BE TESTED ACCORDING TO INTERNAL TE ENDURANCE TESTS PROCEDURE
  - PARTS RELEASED FOR PRODUCTION WITH THE EXCEPTION OF FACE SEAL COMPONENTS WHICH ARE NOT YET RELEASED AND CURRENTLY UNDER TESTING



OBSOLETE	BLACK	E	T-SPLITTER 5 POS CONN. SEALED NECTOR M-LINE	<del>1879999-5</del>	B
	BLACK	D	T-SPLITTER 5 POS CONN. SEALED NECTOR M-LINE	<del>1879999-4</del>	B
	BLACK	C	T-SPLITTER 5 POS CONN. SEALED NECTOR M-LINE	<del>1879999-3</del>	B
	BLACK	B	T-SPLITTER 5 POS CONN. SEALED NECTOR M-LINE	<del>1879999-2</del>	B
	BLACK	A	T-SPLITTER 5 POS CONN. SEALED NECTOR M-LINE	1879999-1	B
COLOUR	POL. KEYING	DESCRIPTION	PART NUMBER	REV.	

THIS DRAWING IS A CONTROLLED DOCUMENT.

DIMENSIONS: mm	TOLERANCES UNLESS OTHERWISE SPECIFIED:	DWN M. ZUCCA 08MAY2013	<b>STE</b> TE Connectivity
	0 PLC ± 1 PLC ±0.3 2 PLC ±0.20 3 PLC ± 4 PLC ± ANGLES ±3°	CHK M. ZUCCA 08MAY2013	
MATERIAL	FINISH	APVD J. CATCHPOLE 08MAY2013	NAME NECTOR M-LINE 5 POLES T-SPLITTER CONNECTOR SEALED VERSION
-	-	PRODUCT SPEC -	SIZE A3
-	-	APPLICATION SPEC -	CAGE CODE -
-	-	WEIGHT -	DRAWING NO. C-1879999
-	-	Customer Drawing	RESTRICTED TO -

SCALE 2:1 SHEET 1 OF 3 REV B1

REVISIONS

P	LTR	DESCRIPTION	DATE	DWN	APVD
-	-	SEE SHEET 1	-	-	-

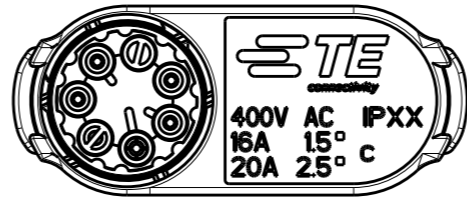
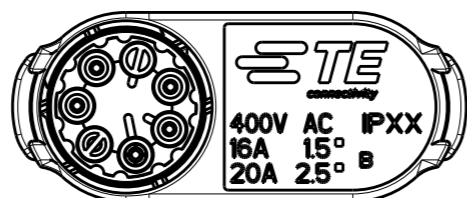
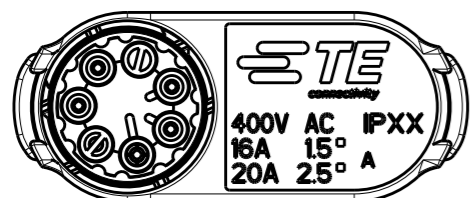
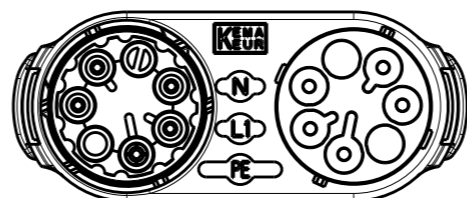
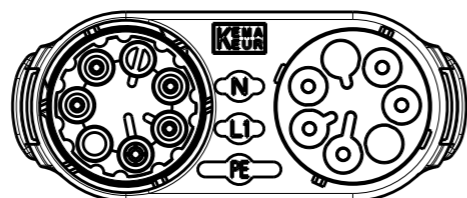
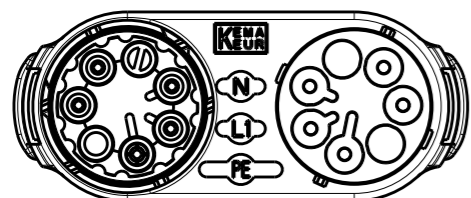
POLARISATION KEYS

SCALE 1:1

TYPE "A-A"

TYPE "B-B"

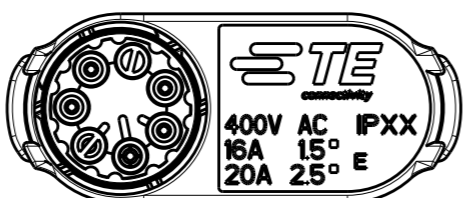
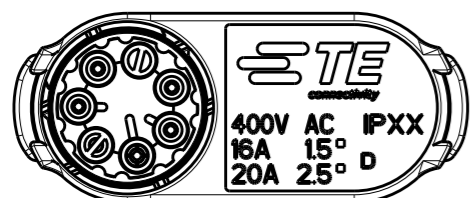
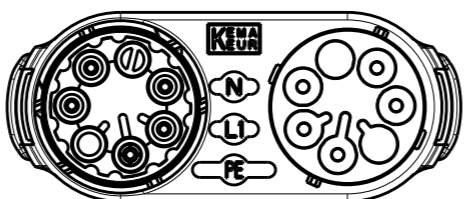
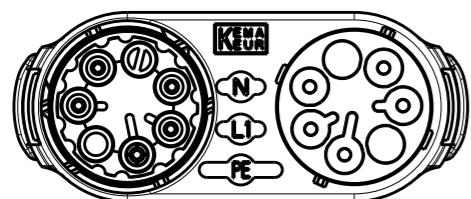
TYPE "C-C"



P/N 1879999-1  
TYPE "D-D"

P/N ~~1879999-2~~  
TYPE "E-E"

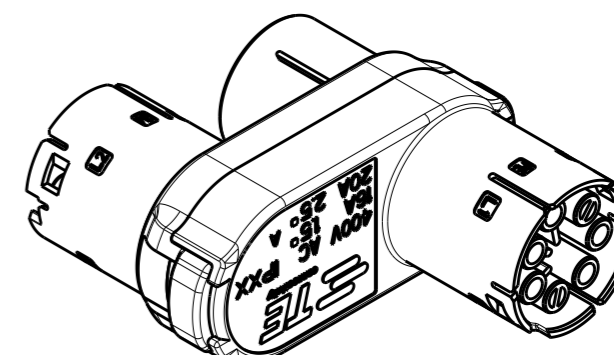
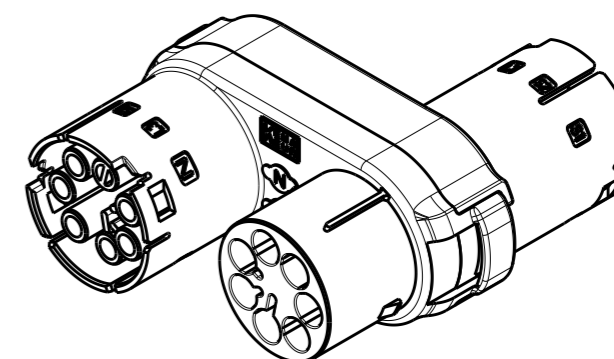
P/N ~~1879999-3~~



P/N ~~1879999-4~~

P/N ~~1879999-5~~

3D VIEWS.  
FOR REFERENCE ONLY



SCALE 1:1

THIS DRAWING IS A CONTROLLED DOCUMENT.

DIMENSIONS:	TOLERANCES UNLESS OTHERWISE SPECIFIED:
mm	0 PLC ±-
	1 PLC ±0.3
	2 PLC ±0.20
	3 PLC ±-
	4 PLC ±-
	ANGLES ±3°
MATERIAL	FINISH
-	-
-	-

DWN	M. ZUCCA	08MAY2013
CHK	M. ZUCCA	08MAY2013
APVD	J. CATCHPOLE	08MAY2013
PRODUCT SPEC	-	
APPLICATION SPEC	-	
WEIGHT	-	
Customer Drawing		



NAME				NECTOR M-LINE 5 POLES T-SPLITTER CONNECTOR SEALED VERSION	
SIZE	CAGE CODE	DRAWING NO	RESTRICTED TO		
A3	-	1879999	-		
SCALE		SHEET	OF	REV	
2:1		2	3	B1	

THIS DRAWING IS UNPUBLISHED.

RELEASED FOR PUBLICATION

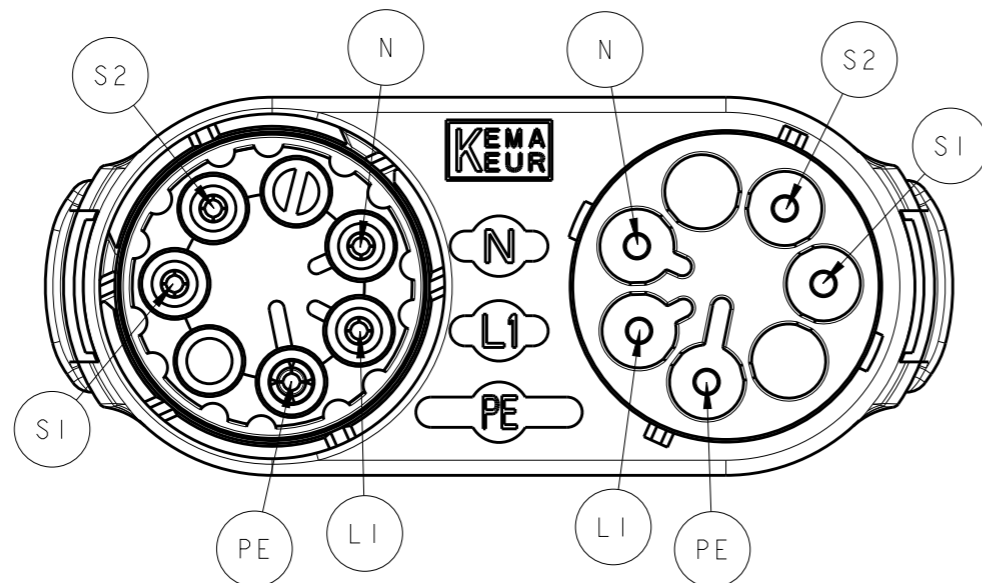
2013

© COPYRIGHT 2013 BY -

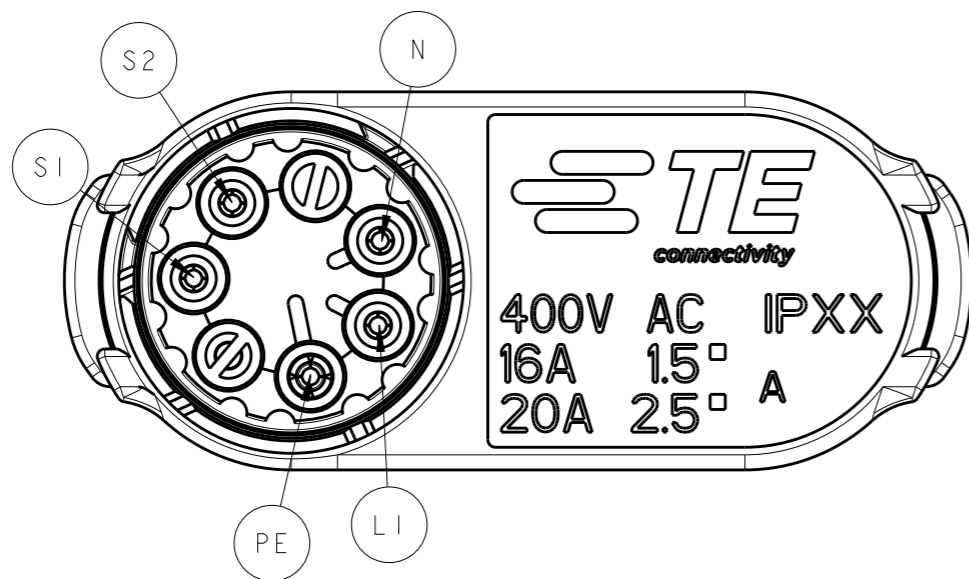
ALL RIGHTS RESERVED.

REVISIONS

P	LTR	DESCRIPTION	DATE	DWN	APVD
-	-	SEE SHEET 1	-	-	-

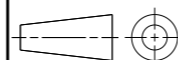


ADDITIONAL DETAILS ON CAVITY CIRCUIT POSITION. FOR INFORMATION ONLY



THIS DRAWING IS A CONTROLLED DOCUMENT.

DIMENSIONS:  
mm



MATERIAL

TOLERANCES UNLESS OTHERWISE SPECIFIED:

- 0 PLC ±-
- 1 PLC ±0.3
- 2 PLC ±0.20
- 3 PLC ±-
- 4 PLC ±-
- ANGLES ±3°

FINISH

DWN M. ZUCCA 08MAY2013

CHK M. ZUCCA 08MAY2013

APVD J. CATCHPOLE 08MAY2013

PRODUCT SPEC

APPLICATION SPEC

WEIGHT

Customer Drawing



NAME  
NECTOR M-LINE 5 POLES  
T-SPLITTER CONNECTOR  
SEALED VERSION

SIZE CAGE CODE DRAWING NO RESTRICTED TO

A3 - C-1879999

SCALE 2:1 SHEET 3 OF 3 REV B1

## X-ON Electronics

Largest Supplier of Electrical and Electronic Components

*Click to view similar products for [Lighting Connectors](#) category:*

*Click to view products by [TE Connectivity](#) manufacturer:*

Other Similar products are found below :

[293300-7](#) [293660-5](#) [CNX\\_H03\\_NTP](#) [30-9767-BU](#) [3605](#) [3-21030-1](#) [ZCH-110-RGB-I](#) [503471-0290](#) [ZCH-110-RGB-J](#) [217-0716-200](#)  
[1954563-1](#) [1-293657-2](#) [2834036-1](#) [2834037-1](#) [1-2213222-4](#) [2-2213222-4](#) [2213222-4](#) [2834122-3](#) [2834122-5](#) [2834135-2](#) [FLA-R4142-30](#)  
[FLA-R4162-30](#) [FLA-R2142-30](#) [FLA-R2141-30](#) [FLA-R2162-30](#) [FLA-R2161-30](#) [FLA-R0161-30](#) [FLA-R0141-30](#) [FLA-R0142-30](#) [FLA-](#)  
[R0162-30](#) [FLA-C00-00](#) [DGA00010553](#) [CNXV04NTP](#) [104128-0610](#) [503485-0000 \(Cut Strip\)](#) [503485-0000 \(Loose Piece\)](#) [503485-0000](#)  
[\(MINI Reel\)](#) [1-2834074-2](#) [1-2834074-3](#) [1357-AC PLUG W2C \(CHINA\)](#) [1357-AC PLUG W2 \(USA\)](#) [104266-0110](#) [2106212-1](#) [2-2834074-2](#)  
[104266-0210](#) [293470-1](#) [293651-2](#) [293651-4](#) [1-2834006-2](#) [293651-1](#)