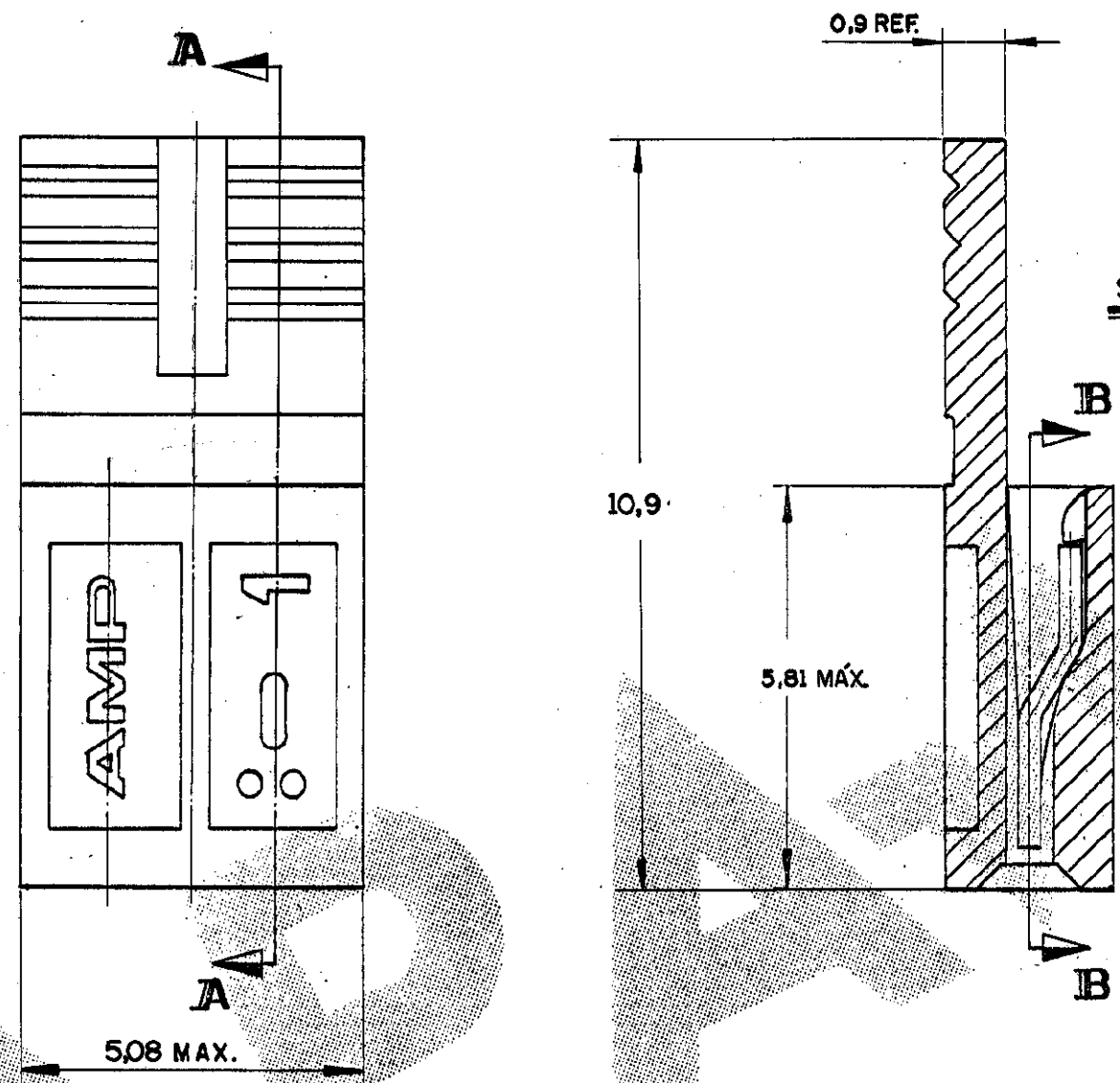


C881545

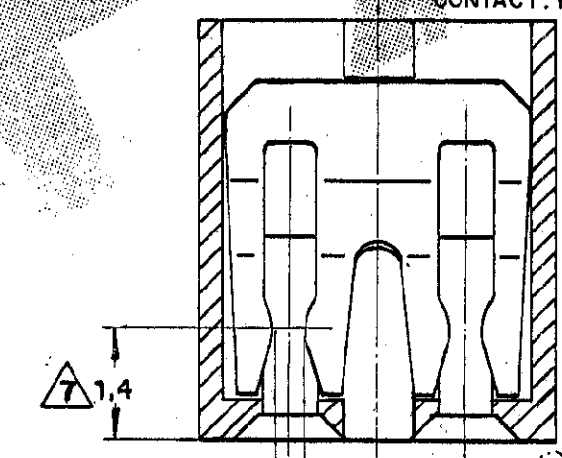
DO NOT SCALE
DIMENSIONS IN mm. METRIC 3rd ANGLE PROJECTION

ATENÇÃO
Este desenho esta sob o controle das especificações nos. 102-23 e 102-55. Toda e qualquer alteração, antes de ser processada, deverá ser comunicada aos clientes envolvidos, através dos procedimentos atuais.
Ver pasta "Notificação ao Cliente"

- NOTAS:**
- 1 MATERIAL: HOUSING: TERMOPLÁSTICO C/ FIBRA DE VIDRO V-O COR: PRETO
CONTACTO: BRONZE FOSFOROSO
 - 2 MATERIAL: HOUSING: THERMOPLASTIC WITH GLASS FIBER V-O COLOR: BLACK
CONTACT: PHOSPHOROUS BRONZE
 - 3 MATERIAL: HOUSING: TERMOPLÁSTICO C/ FIBRA DE VIDRO HB COR: NATURAL
CONTACTO: BRONZE FOSFOROSO
 - 4 MATERIAL: HOUSING: THERMOPLASTIC WITH GLASS FIBER HB COLOR: NATURAL
CONTACT: PHOSPHOROUS BRONZE
 - 5 0,38 µm. MIN. OURO NA AREA DE CONTATO, SOBRE BANHO 0,76 µm NIQUEL
0,38 µm. MIN. GOLD ON CONTACT AREA, 0,76 µm NIQUEL UNDERPLATING
 - 6 0,76 µm. MIN. OURO NA AREA DE CONTATO, SOBRE BANHO 0,76 µm NIQUEL
0,76 µm. MIN. GOLD ON CONTACT AREA, 0,76 µm NIQUEL UNDERPLATING
 - 7 1,27 µm. MIN. OURO NA AREA DE CONTATO, SOBRE BANHO 0,76 µm NIQUEL
1,27 µm. MIN. GOLD ON CONTACT AREA, 0,76 µm NIQUEL UNDERPLATING
 - 8 ESTANHO SOBRE NIQUEL
TIN OVER NICKEL
 - 9 PONTO DE CONTATO P/ MEDIÇÃO DA CAMADA DE OURO
CONTACT POINT FOR GOLD PLATING MEASUREMENT
 - 10 ACEITA PINO QUADRADO 0,64 x 0,64 OU REDONDO Ø 0,64
ALLOW SQUARE PIN 0,64 x 0,64 OR ROUND Ø 0,64
 - 11 MATERIAL: HOUSING: TERMOPLÁSTICO C/ 15% DE FIBRA DE VIDRO, V2, COR VERMELHO (PADRÃO DE COR: RAL 3000).
CONTACTO: BRONZE FOSFOROSO
MATERIAL: HOUSING THERMOPLASTIC WITH 15% GLASS FIBER, V2, COLOR RED (STAND COLOR: RAL 3000)
CONTACT: PHOSPHOROUS BRONZE.



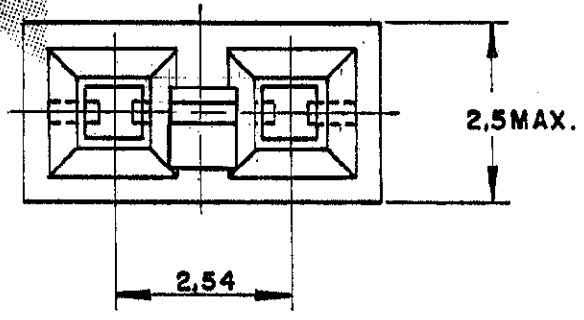
SEÇÃO A-A



SEÇÃO B-B

V2, COLOR GREEN (AMP A6484)

- 10 SIMILAR DO P/N 881545-2, PORÉM EM EMBALAGENS C/ 2.000 PEÇAS/SACO PLÁSTICO.
SIMILAR OF P/No 881545-2 BUT IN PACKAGES W/ 2.000 PARTS/ PLASTIC BAG.
- 11 MATERIAL HOUSING: TERMOPLÁSTICO COM 15% FIBRA DE VIDRO, V2, COR AMARELO (RAL 1016)
CONTACTO: BRONZE FOSFOROSO
MATERIAL: HOUSING: THERMOPLASTIC 15% GLASS FIBER V2, COLOR YELLOW (RAL 1016)
CONTACT: PHOSPHOROUS BRONZE.
- 12 MATERIAL HOUSING TERMOPLÁSTICO COM 15% FIBRA DE VIDRO, V2, COR VERDE (AMP A6484) CONTACTO: BRONZE FOSFOROSO
MATERIAL HOUSING THERMOPLASTIC 15% GLASS FIBER, V2, COLOR GREEN (AMP A6484) CONTACT: PHOSPHOROUS BRONZE.
- 13 OBSOLETE PARTS: OBSOLETE CIS STREAMLINING PER D.RENAUD/D.SINISI



6	1	4-	-2
3	2	4-	-1
13	3	3	-1
6	4	2	-4
4	2	2-	-5
3	2	2-	-2
13	2	2	881545-1
6	1	2	9
3	1		-8
4	1		-7
3	1		-6
2	1		-5
6	1		-4
5	1		-3
4	1		-2
3	1		881545-1

OTHER TREATMENT FINISH MATERIAL PART NUMBER

CUSTOMER DWG
for REFERENCE ONLY

THIS DRAWING IS UNPUBLISHED | RELEASED FOR PUBLICATION

TOLERANCES UNLESS OTHERWISE STATED:
DEC. ±0,5
ANGLES ±1°

INS. DIA. RANGE WIRE RANGE SCALE

DR. [Signature] 11-09-88

CHK. [Signature] 09-11-88

DESCRIPTION **AMP SHUNT**
LOW PROFILE CONNECTOR ASSY

REV. SHEET
A2 DWG NO. C 881545 K4 1 of 2

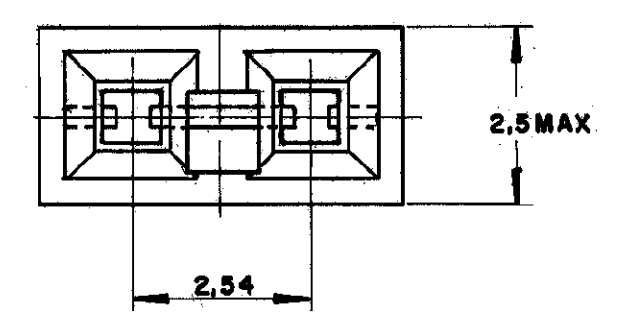
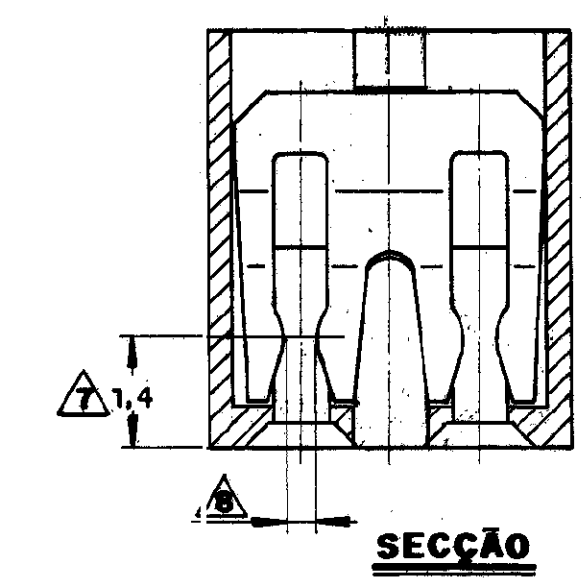
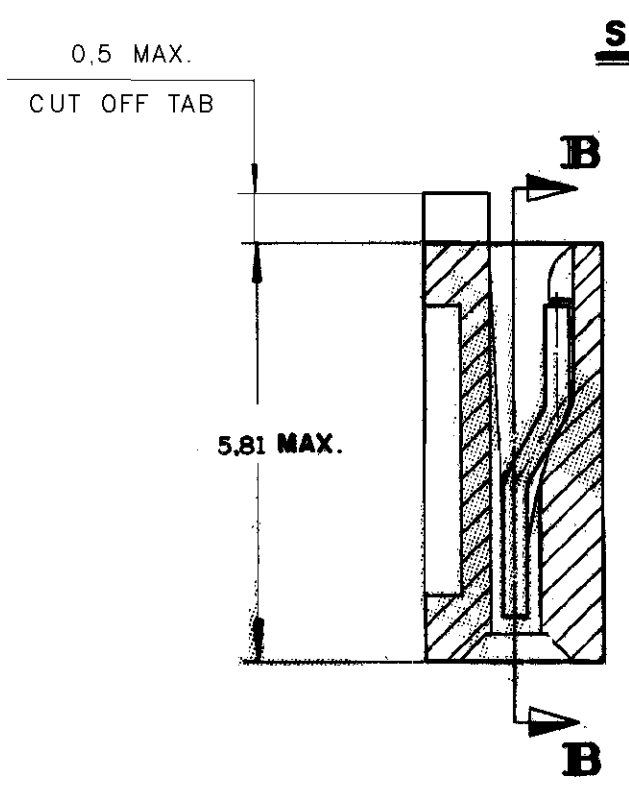
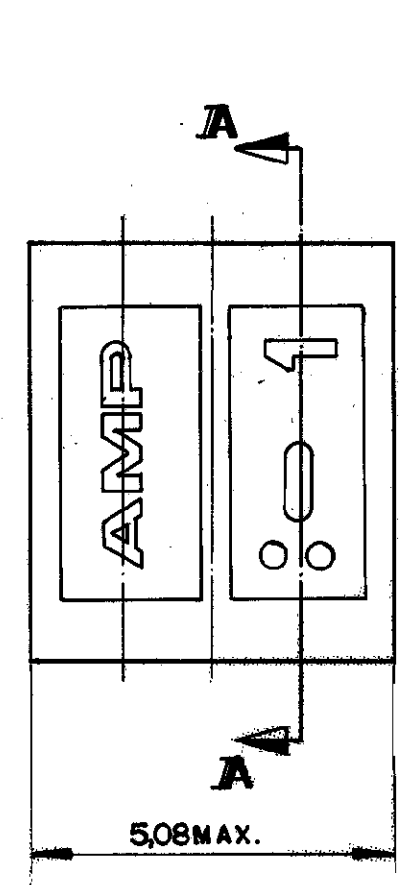
REV. SHEET
K4 1 of 2

K4	REV. ECO 17-004195	HC	WLS	30MAY11
K3	REV ECO11-023509	HC	WLS	02DEC11
K2	REVISED PER ECO-11-005139	RK	HMR	06APR11
ISS	REVISION RECORD	DR	CHK	DATE

C 881545

DO NOT SCALE
DIMENSIONS IN mm.

METRIC



OBSOLETE 13	1			2	6
	2			2	7
	3			2	6
	4			2	881545-5
OBSOLETE 13	5			1	6
	6			1	7
	7			1	6
	8			1	5
OBSOLETE 13	9			1	4
	10			1	3
	11			1	2
	12			1	881545-1

OTHER TREATMENT	FINISH	MATERIAL	PART NUMBER
CUSTOMER DWG for REFERENCE ONLY			
<small>THIS DRAWING IS UNPUBLISHED RELEASED FOR PUBLICATION</small>			
<small>TOLERANCES UNLESS OTHERWISE STATED: DEC. ±0.5 ANGLES ±1°</small>		<small>INS. DIA. RANGE</small>	<small>WIRE RANGE</small>
<small>DR. [Signature] 11-09-88</small> <small>CHK. [Signature] 08-11-88</small> <small>DES. [Signature]</small>		STE TE Connectivity	
		DESCRIPTION AMP SHUNT LOW PROFILE CONNECTOR ASS'Y	
<small>K3</small>	<small>ISS</small>	<small>REV. SHEET</small>	<small>2 OF 2</small>
<small>REVISION RECORD</small>	<small>DR</small>	<small>CHK</small>	<small>DATE</small>
			<small>APP. [Signature] 29/10/88</small>
		A2	C 881545

SEE SHEET 1 OF 2

X-ON Electronics

Largest Supplier of Electrical and Electronic Components

Click to view similar products for [Headers & Wire Housings](#) category:

Click to view products by [TE Connectivity](#) manufacturer:

Other Similar products are found below :

[892-18-020-10-001101](#) [58102-G61-06LF](#) [582553-1](#) [0009485154](#) [009176003701906](#) [0050291907](#) [LY20-4P-DT1-P1E-BR](#) [02.125.8002.8](#)
[609-3404](#) [61062-3](#) [61082-181009](#) [622-3653LF](#) [63453-116](#) [636-1030](#) [636-1427](#) [636-3427](#) [636-4007](#) [641938-9](#) [641991-4](#) [644827-2](#) [65817-](#)
[010LF](#) [65817-015LF](#) [65863-015LF](#) [66207-023LF](#) [67095-007LF](#) [67601157](#) [68645-018](#) [68648-049](#) [70.362.1628.0](#) [70-4210](#) [70-4226B](#) [70-](#)
[4853B](#) [707-5020](#) [707-5028](#) [71.350.2428.0](#) [71918-208LF](#) [71961-016LF](#) [733-134](#) [733-162](#) [754199-000](#) [760-3052](#) [787-8014-00](#) [79531-3000](#)
[FCN-360C032-B](#) [FCN-367T-T012/H](#) [FCN-723D010/2](#) [80.063.4001.1](#) [800-90-001-10-001000](#) [800-90-010-10-002000](#) [801-43-002-10-013000](#)