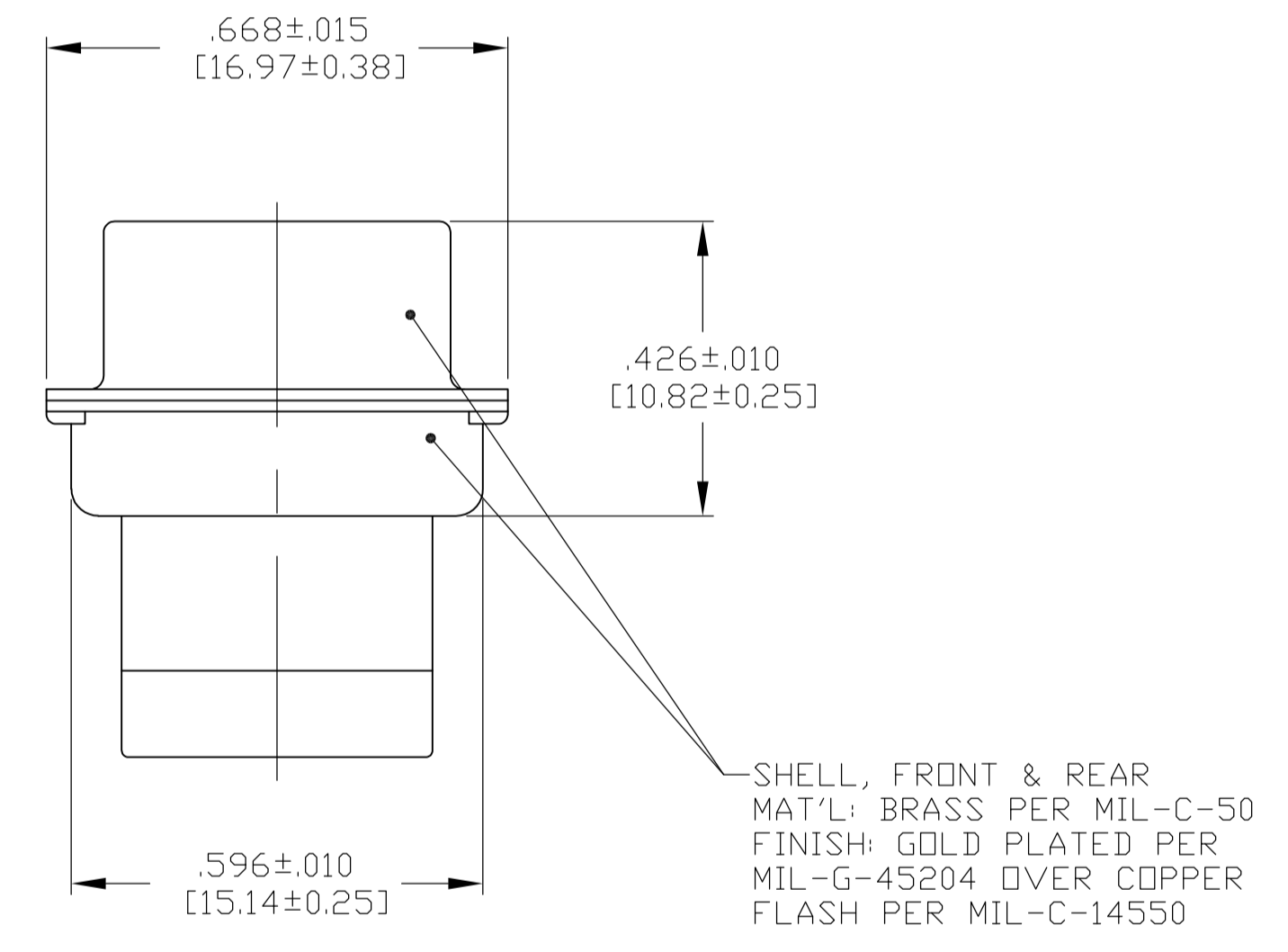
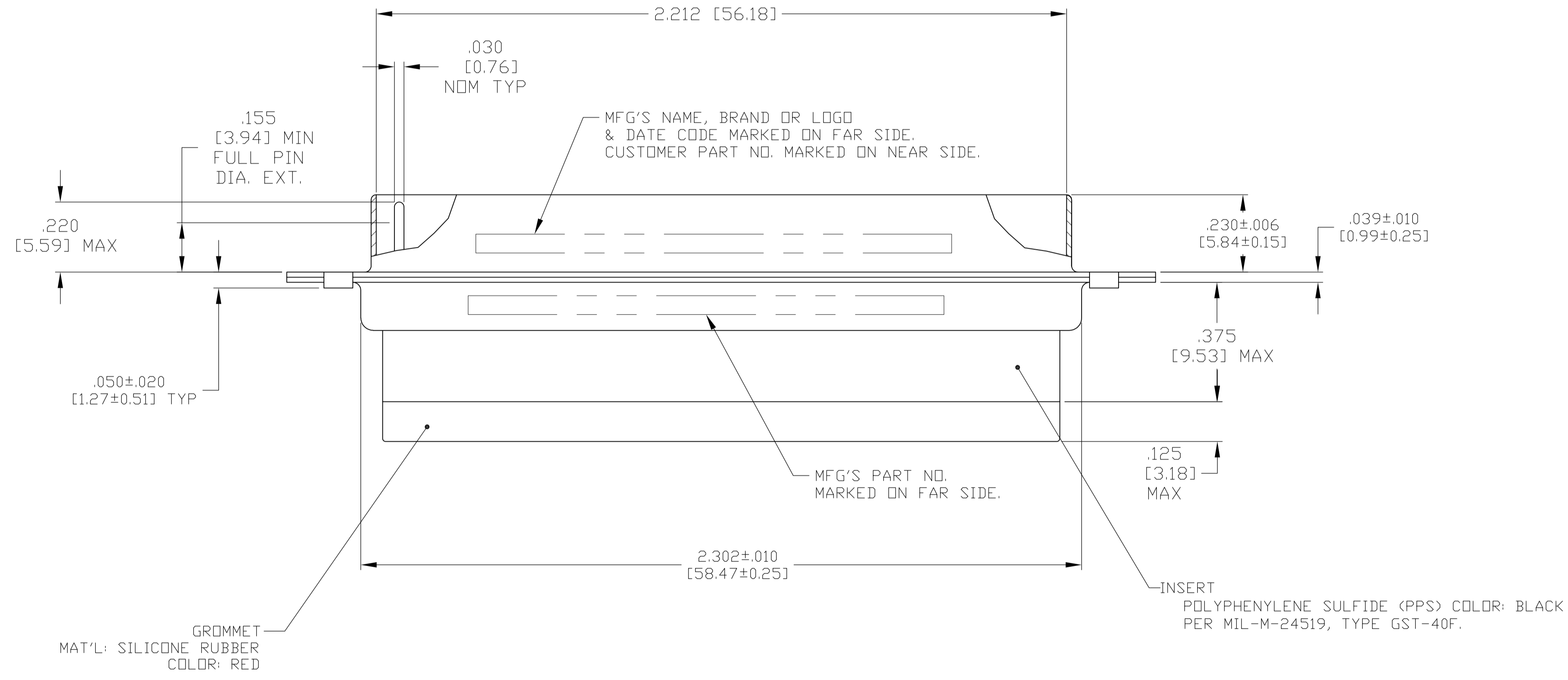
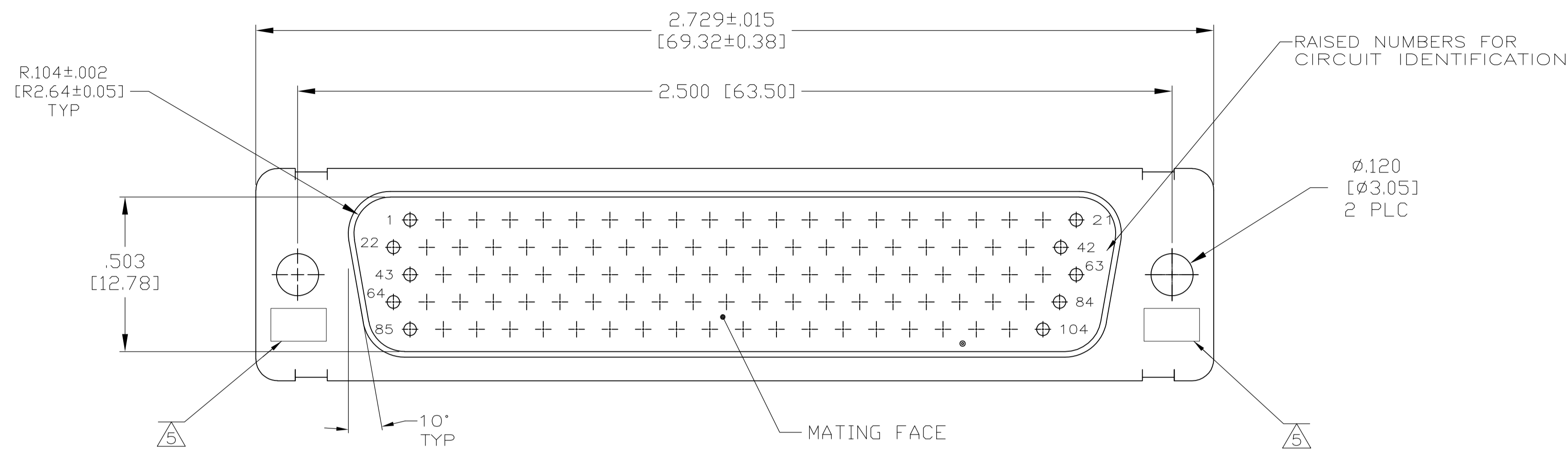


LOC		DIST		REVISIONS			
P	LTR	DESCRIPTION	DATE	DNW	APVD		
D		REV PER ECO-12-004103	15MAR12	PY	RL		



- THIS PLUG WILL MATE WITH ANY SIZE 6, 104 POSN. RCPT. IN AMPLIMITE SERIES.
 - MAXIMUM WIRE INSULATION USED WITH THIS PLUG IS .054 [1.37] DIA.
 - SINGLE LOT DATE CODE IS REQUIRED.
 - CONNECTOR SUPPLIED WITHOUT CONTACTS; SHOWN FOR ILLUSTRATION ONLY. (PER MIL-C-39029B/58-360)
- UL/CSA DESIGNATION STAMPED IN THIS AREA, OPTIONAL.

THIS DRAWING IS A CONTROLLED DOCUMENT.		DIN C.C.THOMAS 6-1-06		REMARKS		CI-2A-112-001V-001		1883448-1	
DIMENSIONS: INCHES		TOLERANCES UNLESS OTHERWISE SPECIFIED:		APVD D.MILLER 6-1-06		CUSTOMER PART NUMBER		PART NO.	
		0 PLC ± - 1 PLC ± - 2 PLC ± - 3 PLC ± .005 [0.13] 4 PLC ± - ± 1° ANGLES ± - ± 1°		NAME		TE Connectivity		PLUG ASSY,AMPLIMITE,SIZE 6, SERIES 90, 104 POSITION, NON-MAGNETIC, SPECIAL WITH GROMMET	
MATERIAL SEE CALLOUTS		FINISH SEE CALLOUTS		APPLICATION SPEC		SIZE		RESTRICTED TO	
				WEIGHT		A1 00779		1883448	
				CUSTOMER DRAWING		SCALE 4:1		SHEET 1 OF 1 REV D	

X-ON Electronics

Largest Supplier of Electrical and Electronic Components

Click to view similar products for [D-Sub MIL Spec Connectors](#) category:

Click to view products by [TE Connectivity](#) manufacturer:

Other Similar products are found below :

[M24308/4-13Z](#) [M8351307-B](#) [D38999/20FJ43HN](#) [D38999/24WG11PB-LC](#) [D38999/24WG41HN](#) [MDM-15PH041P](#) [MDM-21PH041P](#) [MDM-21SH003B-K139](#) [850-056-0812](#) [1218697-4](#) [DBMM25S](#) [MS27467T21F41S](#) [17D25HV](#) [1996840-1](#) [243082-15](#) [1663962-1](#) [1757682-1](#) [17D-E51218-1](#) [17SDA15S](#) [1883533-1](#) [1883886-1](#) [1883889-1](#) [192900-0377](#) [308-CP6P0441-024H](#) [M24308/2-3Z](#) [M24308/4-3Z](#) [M24308/4-4F](#) [M24308/4-4Z](#) [M24308/8-347](#) [M83513/03-E09C](#) [M83723/75W2212N L/C](#) [D38999/24FJ29PN-LC](#) [D38999/24WG11SB-LC](#) [MDM-21PH046P](#) [5-1218949-1](#) [550-031NF1R6K](#) [550E001NF1R3J0L](#) [550T001NF1R6K0L](#) [557T283NF5B08](#) [C115368-1612B](#) [C115370-1717B](#) [DC121073157](#) [443869-3](#) [443869-4](#) [443869-5](#) [550S004NF1R1B0F03](#) [550-031NF1R2E](#) [550E003M2R9J0F04](#) [550E003M3R9J0F05](#) [550E024M104R9J0](#)