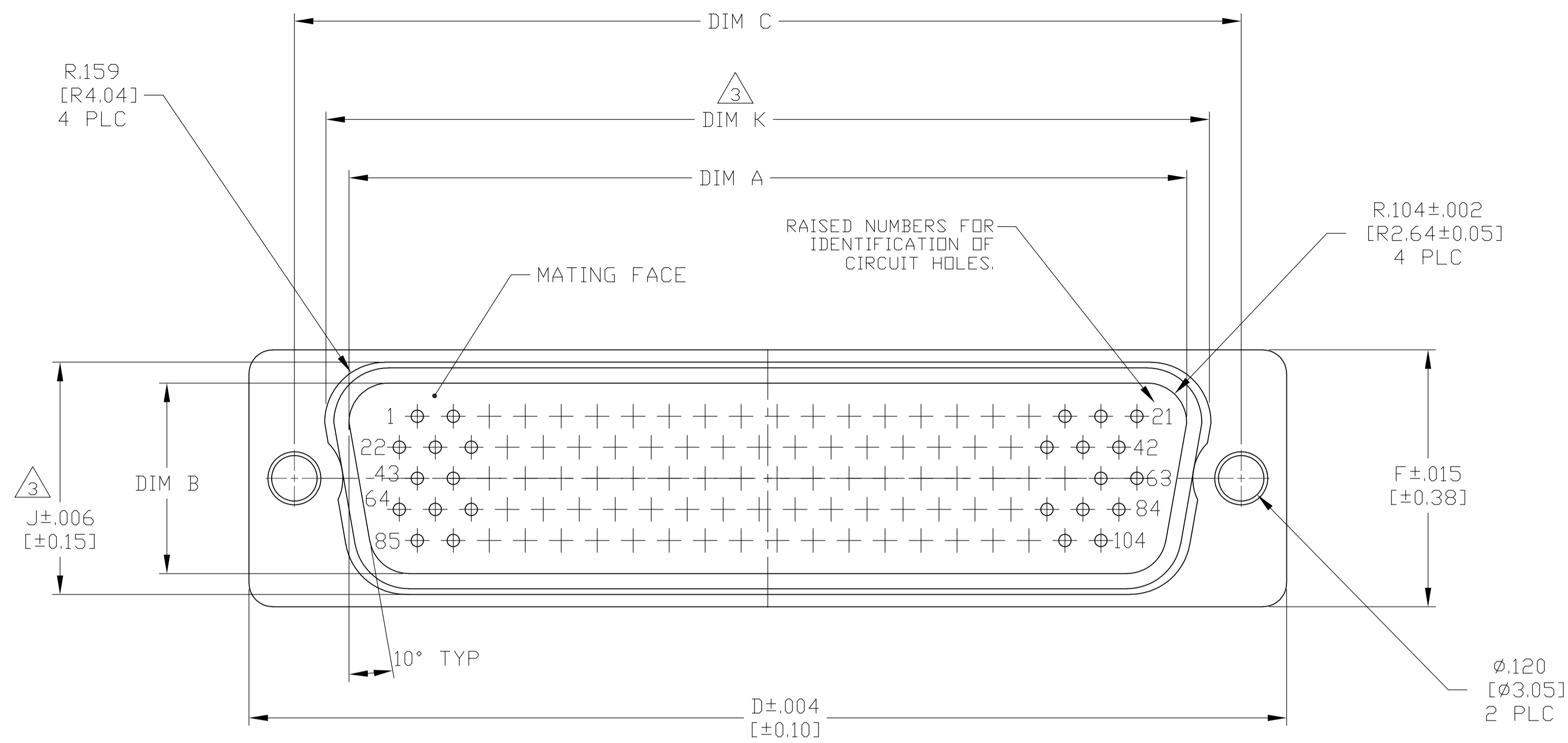
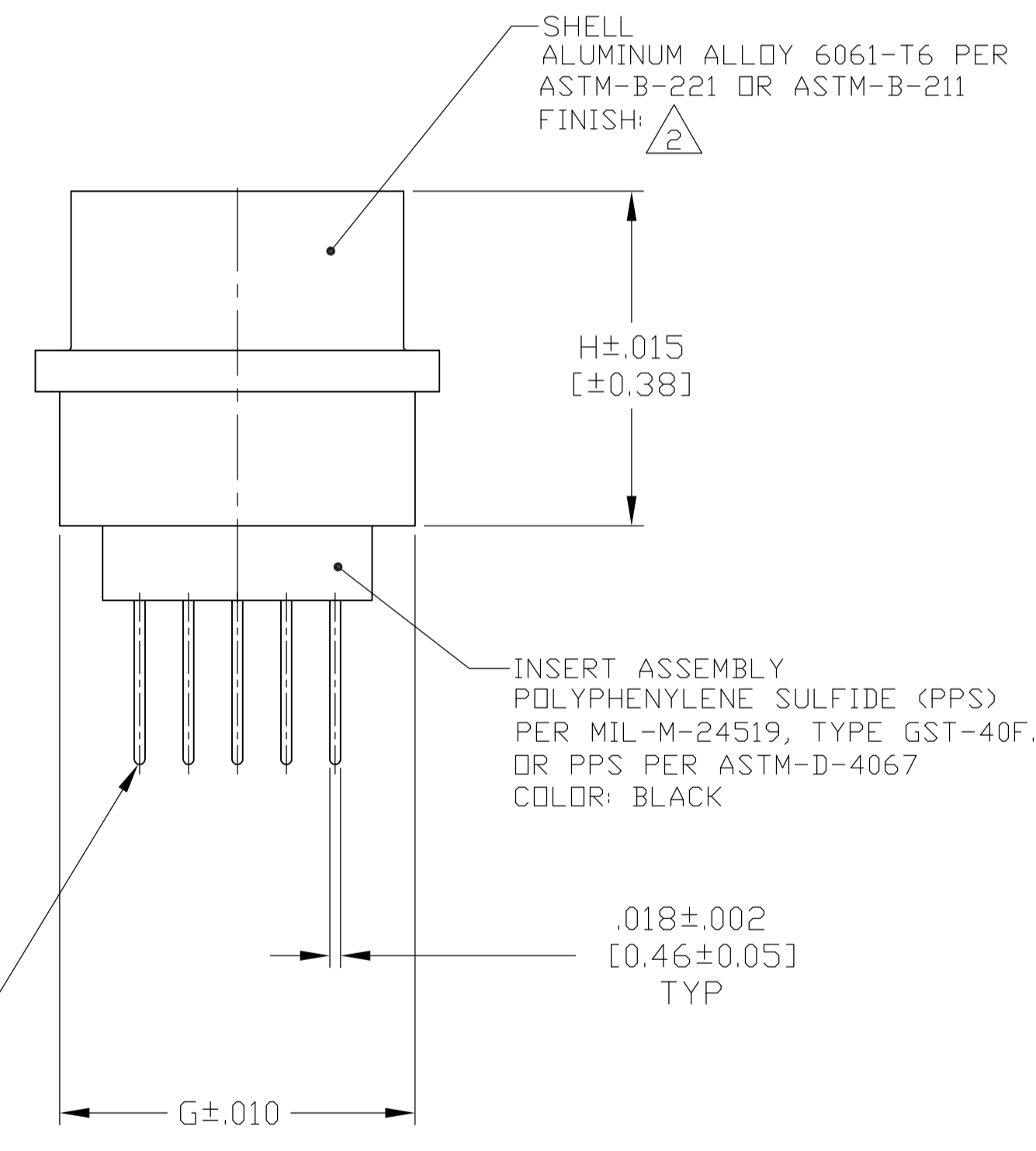
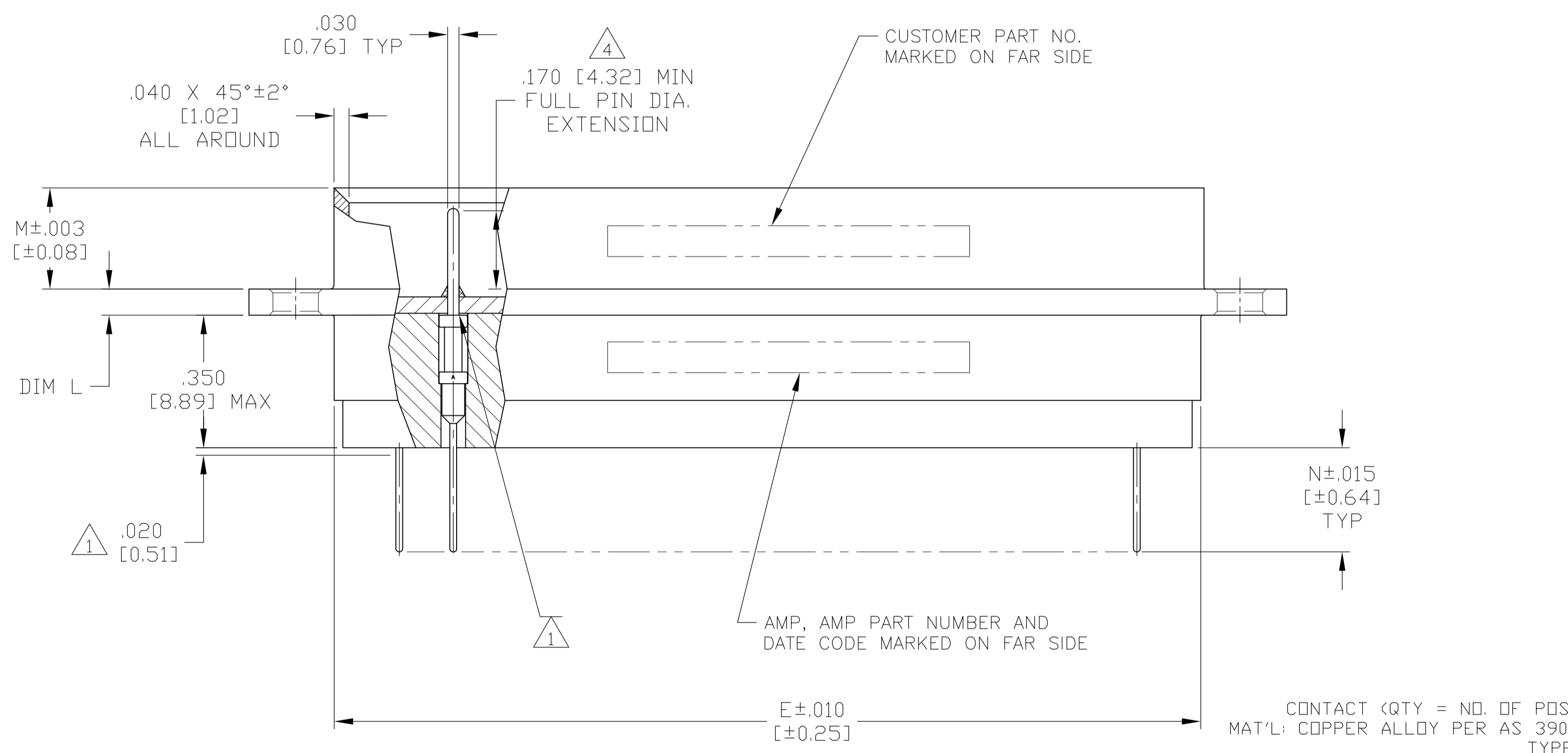


LOC		DIST		REVISIONS			
P	LTR	DESCRIPTION	DATE	DN	APVD	CT	RL
J		REV PER ECO 11-006931	6-17-13	CT	RL		



- ① CONNECTOR ASSEMBLED WITH SIZE 22 POSTED CONTACTS THAT HAVE BEEN SEALED WITH EPOXY TO PREVENT MIGRATION OF FLUX AND CONFORMAL COATING.
- ② FINISH: ANODIZED .000100 MIN THK PER MIL-A-8625, TYPE II, CLASS I, HOT WATER SEAL.
- ③ FEATURE 100% VERIFIED PER HAMILTON SUNDSTRAND 1012630.
- ④ FEATURE AQL INSPECTED PER HAMILTON SUNDSTRAND 1012630.



CONTACT (QTY = NO. OF POSN.):
 MAT'L: COPPER ALLOY PER AS 39029,
 TYPE A
 FINISH: GOLD PLATED PER
 ASTM-B-488, TYPE II,
 CODE C, CLASS 1.25 OVER NICKEL
 PER AMS-QQ-N-290, CLASS 1

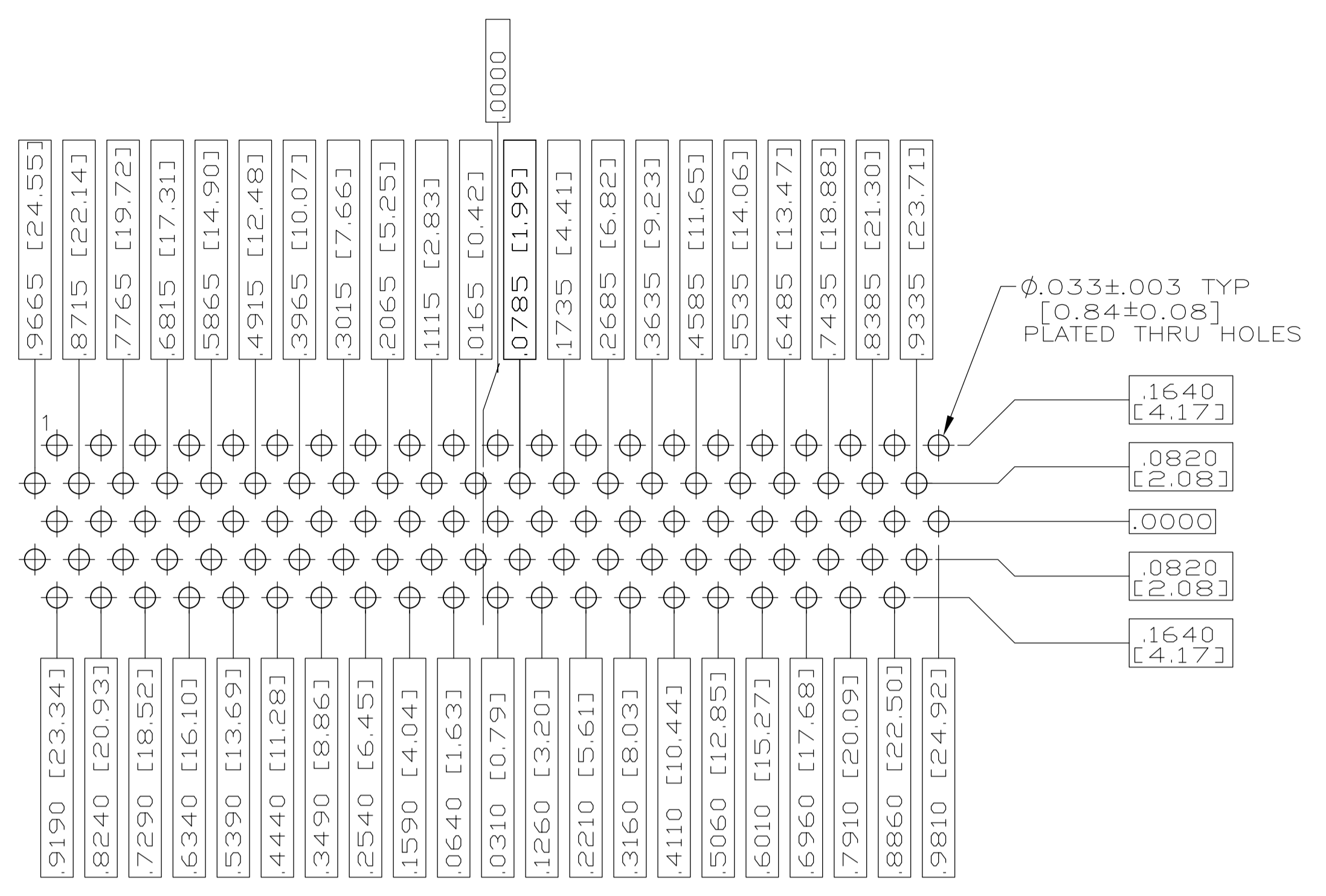
104	73030 SOCN 1012630-1	.275 [6.99]	.267 [6.78]	.078 [1.98] [.060 [1.52]]	2.340 [59.44]	.613 [15.57]	.561 [14.25]	.608 [15.44]	.668 [16.97]	2.313 [58.75]	2.740 [69.60]	2.500 [63.50]	.503 [12.78]	2.212 [56.18]	6	1883500-4
104	73030 SOCN 1012630-3	.175 [4.45]	.267 [6.78]	.078 [1.98] [.060 [1.52]]	2.340 [59.44]	.613 [15.57]	.561 [14.25]	.608 [15.44]	.668 [16.97]	2.313 [58.75]	2.740 [69.60]	2.500 [63.50]	.503 [12.78]	2.212 [56.18]	6	1883500-3
62	73030 SOCN 1012630-2	.175 [4.45]	.257 [6.53]	.078 [1.98] [.060 [1.52]]	2.305 [58.55]	.440 [11.18]	.561 [14.25]	.438 [11.13]	.494 [12.55]	2.284 [58.01]	2.740 [69.60]	2.500 [63.50]	.324 [8.23]	2.172 [55.17]	4	1883500-2
NO OF POSITIONS	CUSTOMER PART NO.	DIM N	DIM M	DIM L	DIM K	DIM J	DIM H	DIM G	DIM F	DIM E	DIM D	DIM C	DIM B	DIM A	SHELL SIZE	PART NO.

THIS DRAWING IS A CONTROLLED DOCUMENT.

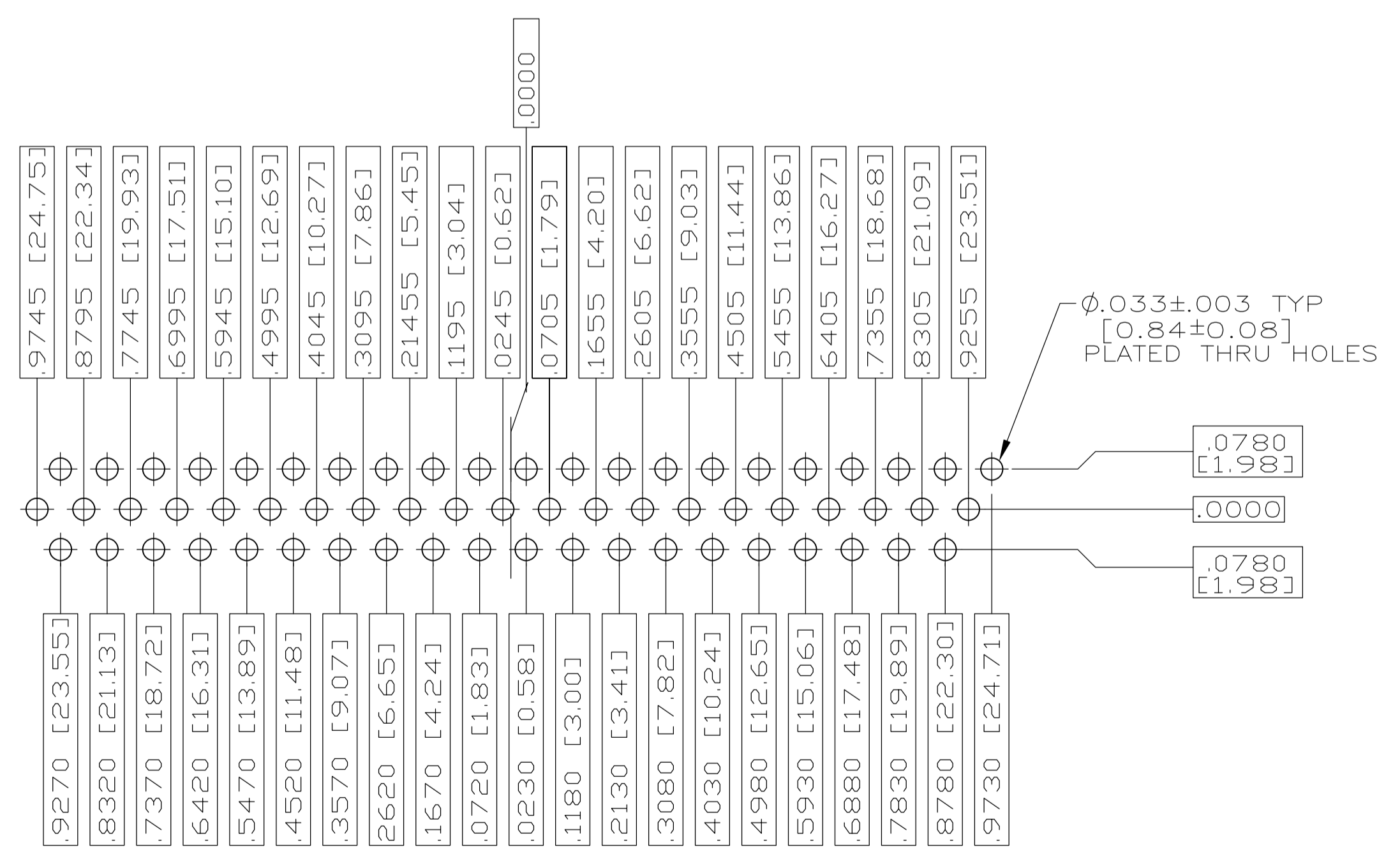
DIMENSIONS: INCHES	TOLERANCES UNLESS OTHERWISE SPECIFIED:	DIN C.C.THOMAS 7-11-06	APPROVED: D.MILLER 7-12-06
0 PLC ± -	1 PLC ± -	2 PLC ± -	3 PLC ± .005 [0.13]
4 PLC ± -	ANGLES ± ± 0°30'	NAME: D.MILLER 7-12-06	
MATERIAL: SEE CALLOUT	FINISH: SEE CALLOUT	SIZE: A1	WEIGHT: -
CUSTOMER DRAWING		SCALE: 4:1	SHEET: 1 OF 2

STE TE Connectivity
 PLUG ASSY., AMPLIMITE, SERIES 90, BLINDMATE WITH POSTED CONTACTS, SEALED
 DRAWING NO: 00779
 PART NO: 1883500

LOC		DIST		REVISIONS			
P	LTR	DESCRIPTION	DATE	DNW	APVO		
-	-	SEE SHEET 1	-	-	-		



RECOMMENDED P.C. BOARD LAYOUT
SHELL SIZE 6 (104 POSITION)



RECOMMENDED P.C. BOARD LAYOUT
SHELL SIZE 4 (62 POSITION)

THIS DRAWING IS A CONTROLLED DOCUMENT.		DNW C.C.THOMAS 7-11-06	 TE Connectivity
DIMENSIONS: INCHES		CHK D.MILLER 7-12-06	
TOLERANCES UNLESS OTHERWISE SPECIFIED:		APVO D.MILLER 7-12-06	NAME
0. PLC ± - 1. PLC ± - 2. PLC ± - 3. PLC ± .005 [0.13] 4. PLC ± - ANGLES ± 0°30'		PRODUCT SPEC	PLUG ASSY., AMPLIMITE, SERIES 90, BLINDMATE WITH POSTED CONTACTS, SEALED
MATERIAL SEE CALLOUT		WEIGHT	SIZE CAGE CODE DRAWING NO. RESTRICTED TO
FINISH SEE CALLOUT		A1 00779	1883500
CUSTOMER DRAWING		SCALE 4:1	SHEET 2 OF 2 REV J

X-ON Electronics

Largest Supplier of Electrical and Electronic Components

Click to view similar products for [D-Sub Standard Connectors](#) category:

Click to view products by [TE Connectivity](#) manufacturer:

Other Similar products are found below :

[DCM37S732N](#) [DAM15P500](#) [DEV09S364GTLF](#) [DEM09P032N](#) [DDM50P732N](#) [DAM15S332N](#) [173109-2218](#) [173109-2466](#) [173109-2436](#)
[173109-2435](#) [56F706-005-LI](#) [56F711-015](#) [015-0341-000](#) [015-0372-008](#) [015-8544-011](#) [017041-0005](#) [020419-0104](#) [012-0515-000](#) [012-9507-](#)
[034](#) [012-9507-114](#) [012-9534-001](#) [020745-0008](#) [609-25P](#) [M24308/2-23Z](#) [M243082310F](#) [M243082410F](#) [M243082411F](#) [M24308/4-21](#)
[CT1A18-11PSA206](#) [CT1N36-5SC](#) [CT2-16S-17PS](#) [CT2-20-15PCAU](#) [CT2-24-12PS](#) [CT2-24-28PSF127A206](#) [CT2-32-9PC](#) [CT6F9767-14-4-](#)
[14S-5PC](#) [CT6FA10SL-4PS](#) [CT7-18-10SC](#) [CT7-18-10SCAU](#) [CT7-18-12SCAU](#) [CT7-18-1PC](#) [CT7-18-1PCAU](#) [CT7-18-21SCAU](#) [M83513/01-](#)
[FC](#) [M83723/76W24619 L/C](#) [M85049/48-3-2F](#) [69001-865](#) [6STD09PCM99B70X](#) [6STD09SCM99B30X](#) [6STD09SCT99S40X](#)