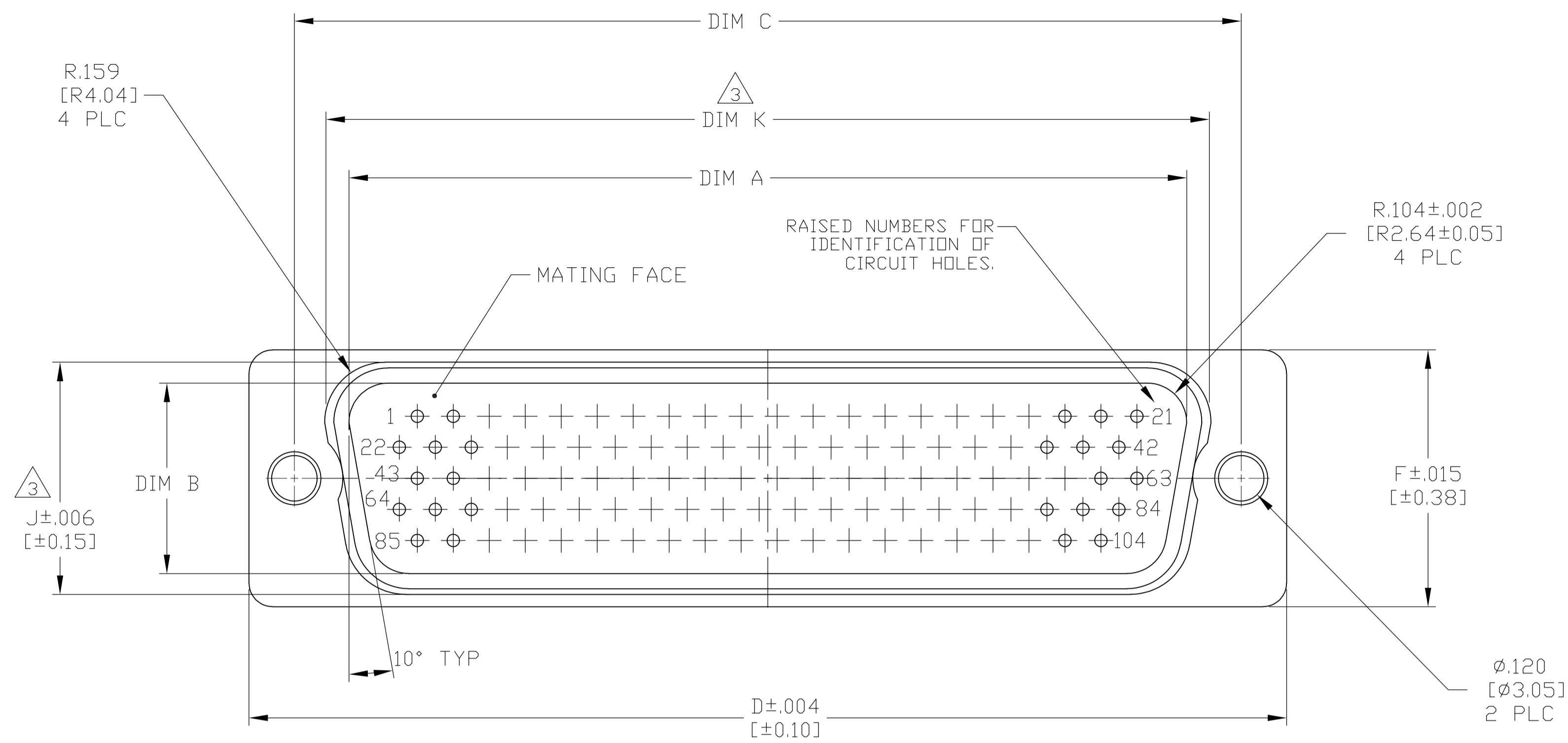
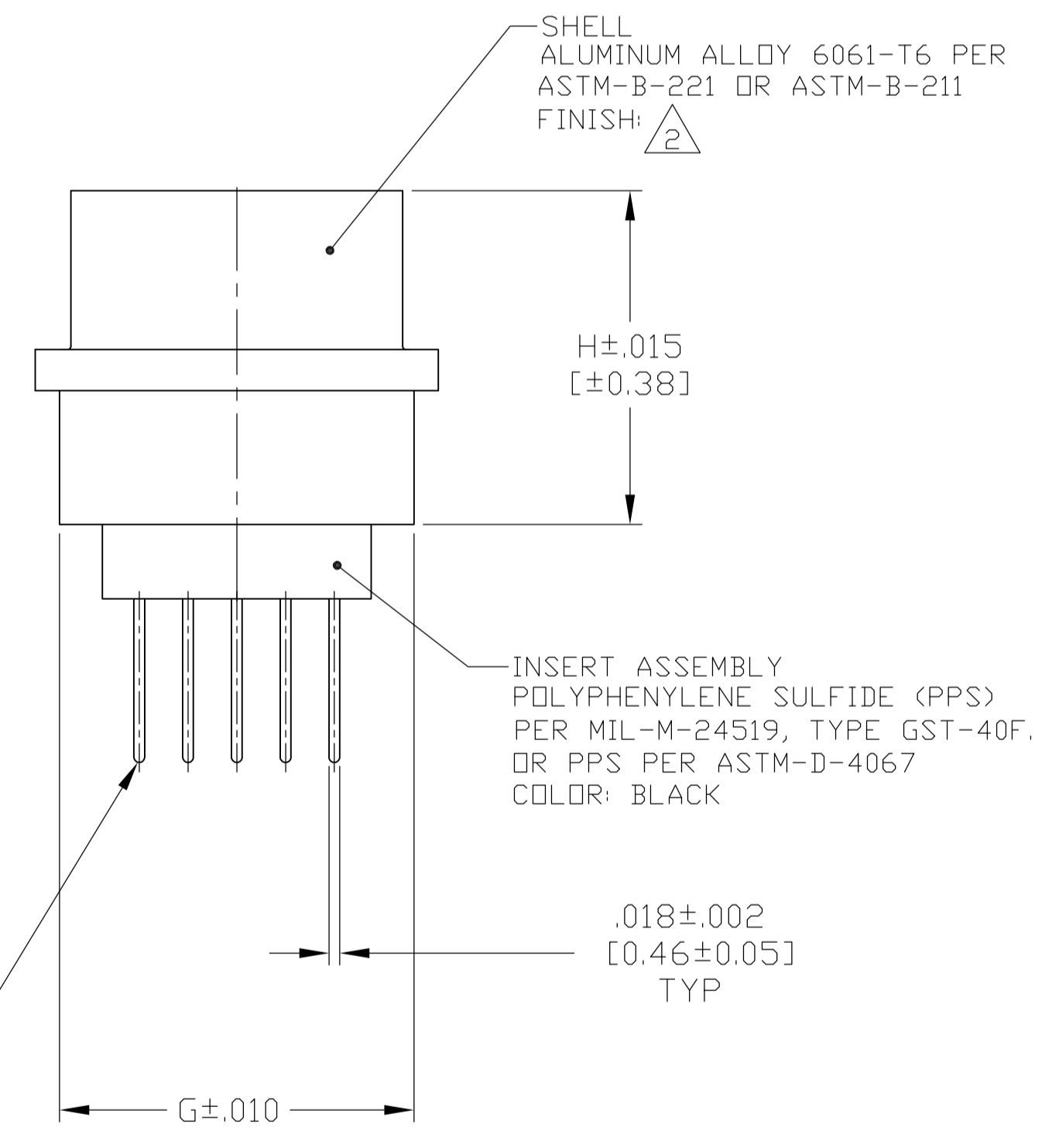
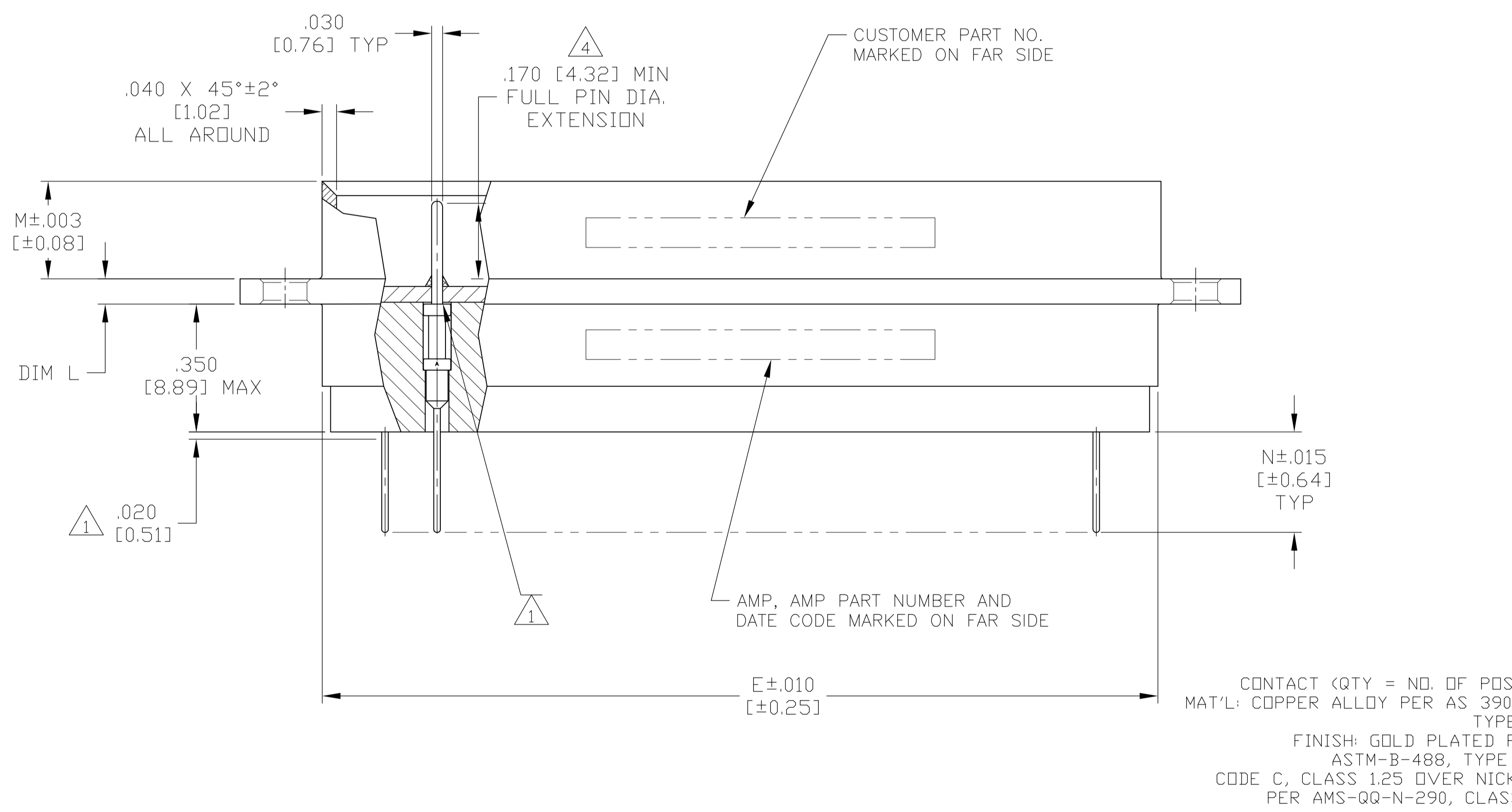


LOC		DIST		REVISIONS			
P	LTR	DESCRIPTION	DATE	DN	APVD	CT	RL
J		REV PER ECO 11-006931	6-17-13	CT	RL		



- 1 CONNECTOR ASSEMBLED WITH SIZE 22 POSTED CONTACTS THAT HAVE BEEN SEALED WITH EPOXY TO PREVENT MIGRATION OF FLUX AND CONFORMAL COATING.
- 2 FINISH: ANODIZED .000100 MIN THK PER MIL-A-8625, TYPE II, CLASS I, HOT WATER SEAL.
- 3 FEATURE 100% VERIFIED PER HAMILTON SUNDSTRAND 1012630.
- 4 FEATURE AQL INSPECTED PER HAMILTON SUNDSTRAND 1012630.



104	73030 SOCN 1012630-1	.275 [6.99]	.267 [6.78]	.078 [1.98] [.060 [1.52]]	2.340 [59.44]	.613 [15.57]	.561 [14.25]	.608 [15.44]	.668 [16.97]	2.313 [58.75]	2.740 [69.60]	2.500 [63.50]	.503 [12.78]	2.212 [56.18]	6	1883500-4
104	73030 SOCN 1012630-3	.175 [4.45]	.267 [6.78]	.078 [1.98] [.060 [1.52]]	2.340 [59.44]	.613 [15.57]	.561 [14.25]	.608 [15.44]	.668 [16.97]	2.313 [58.75]	2.740 [69.60]	2.500 [63.50]	.503 [12.78]	2.212 [56.18]	6	1883500-3
62	73030 SOCN 1012630-2	.175 [4.45]	.257 [6.53]	.078 [1.98] [.060 [1.52]]	2.305 [58.55]	.440 [11.18]	.561 [14.25]	.438 [11.13]	.494 [12.55]	2.284 [58.01]	2.740 [69.60]	2.500 [63.50]	.324 [8.23]	2.172 [55.17]	4	1883500-2
NO OF POSITIONS	CUSTOMER PART NO.	DIM N	DIM M	DIM L	DIM K	DIM J	DIM H	DIM G	DIM F	DIM E	DIM D	DIM C	DIM B	DIM A	SHELL SIZE	PART NO.

THIS DRAWING IS A CONTROLLED DOCUMENT.

DIMENSIONS: INCHES
 TOLERANCES UNLESS OTHERWISE SPECIFIED:
 0 PLC ± -
 1 PLC ± -
 2 PLC ± -
 3 PLC ± .005 [0.13]
 4 PLC ± -
 ANGLES ± 0°30'

MATERIAL: SEE CALLOUT
 FINISH: SEE CALLOUT

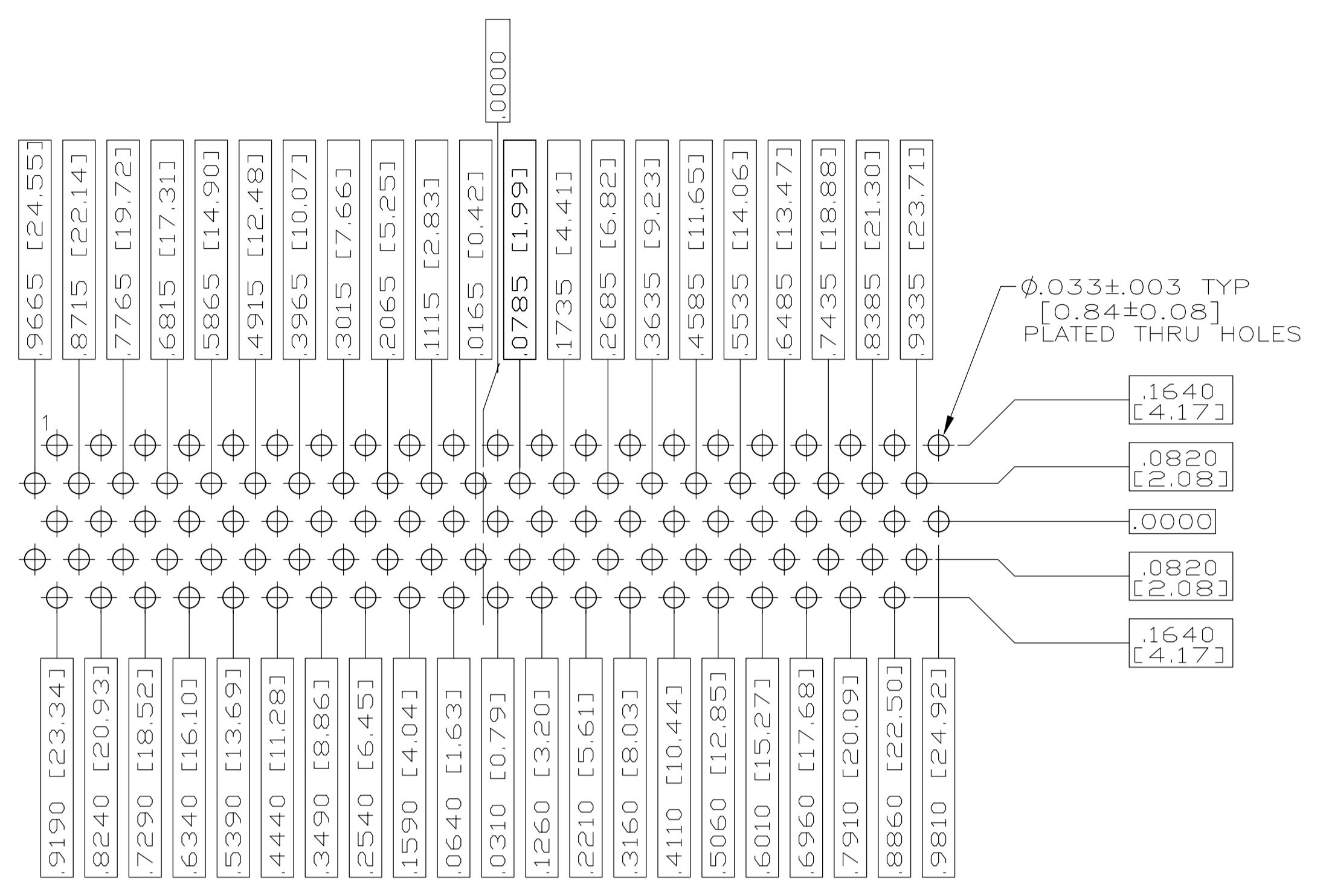
THIS DRAWING IS A CONTROLLED DOCUMENT.
 C.C. THOMAS 7-11-06
 C.K. MILLER 7-12-06
 D. MILLER 7-12-06
 D. MILLER 7-12-06

NAME: PLUG ASSY., AMPLIMITE, SERIES 90, BLINDMATE WITH POSTED CONTACTS, SEALED
 APPLICATION SPEC: -
 SIZE: A1
 CAGE CODE: 00779
 DRAWING NO: 1883500
 WEIGHT: -
 CUSTOMER DRAWING

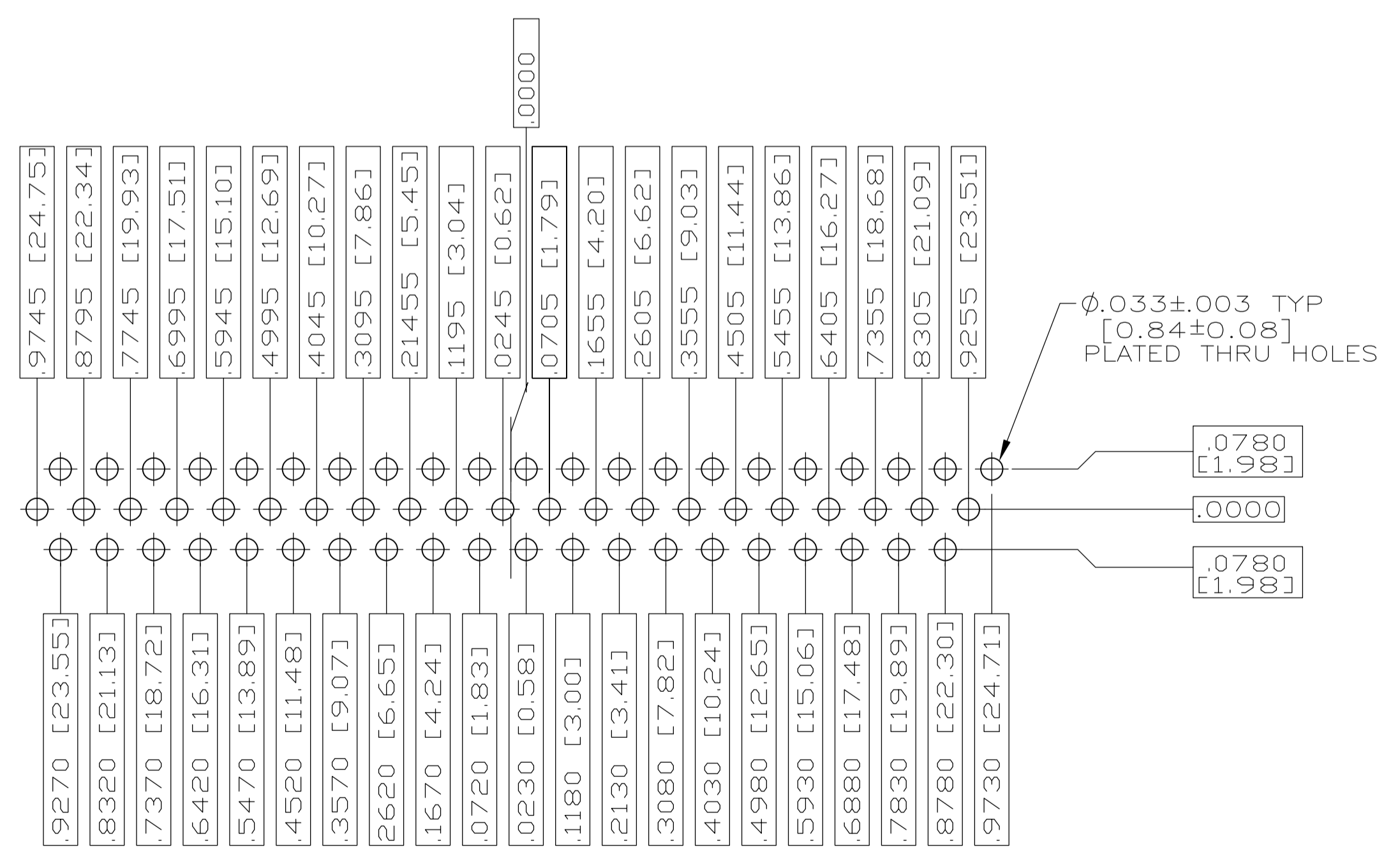
DATE: 6-17-13
 DATE: 6-17-13
 DATE: 6-17-13
 DATE: 6-17-13

SCALE: 4:1
 SHEET: 1 OF 2
 REV: J

LOC		DIST		REVISIONS			
P	LYR	DESCRIPTION	DATE	DNW	APVO		
-	-	SEE SHEET 1	-	-	-		



RECOMMENDED P.C. BOARD LAYOUT
SHELL SIZE 6 (104 POSITION)



RECOMMENDED P.C. BOARD LAYOUT
SHELL SIZE 4 (62 POSITION)

THIS DRAWING IS A CONTROLLED DOCUMENT.		DNW C.C.THOMAS 7-11-06	 TE Connectivity
DIMENSIONS: INCHES		CHK D.MILLER 7-12-06	
TOLERANCES UNLESS OTHERWISE SPECIFIED:		APVO D.MILLER 7-12-06	NAME
0. PLC ± - 1. PLC ± - 2. PLC ± - 3. PLC ± .005 [0.13] 4. PLC ± - ANGLES ± 0°30'		PRODUCT SPEC	PLUG ASSY., AMPLIMITE, SERIES 90, BLINDMATE WITH POSTED CONTACTS, SEALED
MATERIAL SEE CALLOUT		WEIGHT	RESTRICTED TO
FINISH SEE CALLOUT		SCALE A1 00779 C=1883500	SIZE A1 00779 C=1883500
CUSTOMER DRAWING		SCALE 4:1	SHEET 2 OF 2

X-ON Electronics

Largest Supplier of Electrical and Electronic Components

Click to view similar products for [D-Sub Standard Connectors](#) category:

Click to view products by [TE Connectivity](#) manufacturer:

Other Similar products are found below :

[DCM37S732N](#) [DAM15P500](#) [DEV09S364GTLF](#) [DEM09P032N](#) [DDM50P732N](#) [DAM15S332N](#) [173109-2218](#) [173109-2466](#) [173109-2436](#)
[173109-2435](#) [56F706-005-LI](#) [56F711-015](#) [015-0341-000](#) [015-0372-008](#) [015-8544-011](#) [017041-0005](#) [020419-0104](#) [012-0515-000](#) [012-9507-](#)
[034](#) [012-9507-114](#) [012-9534-001](#) [020745-0008](#) [609-25P](#) [M24308/2-23Z](#) [M243082310F](#) [M243082410F](#) [M243082411F](#) [M24308/4-21](#)
[CT1A18-11PSA206](#) [CT1N36-5SC](#) [CT2-16S-17PS](#) [CT2-20-15PCAU](#) [CT2-24-12PS](#) [CT2-24-28PSF127A206](#) [CT2-32-9PC](#) [CT6F9767-14-4-](#)
[14S-5PC](#) [CT6FA10SL-4PS](#) [CT7-18-10SC](#) [CT7-18-10SCAU](#) [CT7-18-12SCAU](#) [CT7-18-1PC](#) [CT7-18-1PCAU](#) [CT7-18-21SCAU](#) [M83513/01-](#)
[FC](#) [M83723/76W24619 L/C](#) [M85049/48-3-2F](#) [69001-865](#) [6STD09PCM99B70X](#) [6STD09SCM99B30X](#) [6STD09SCT99S40X](#)