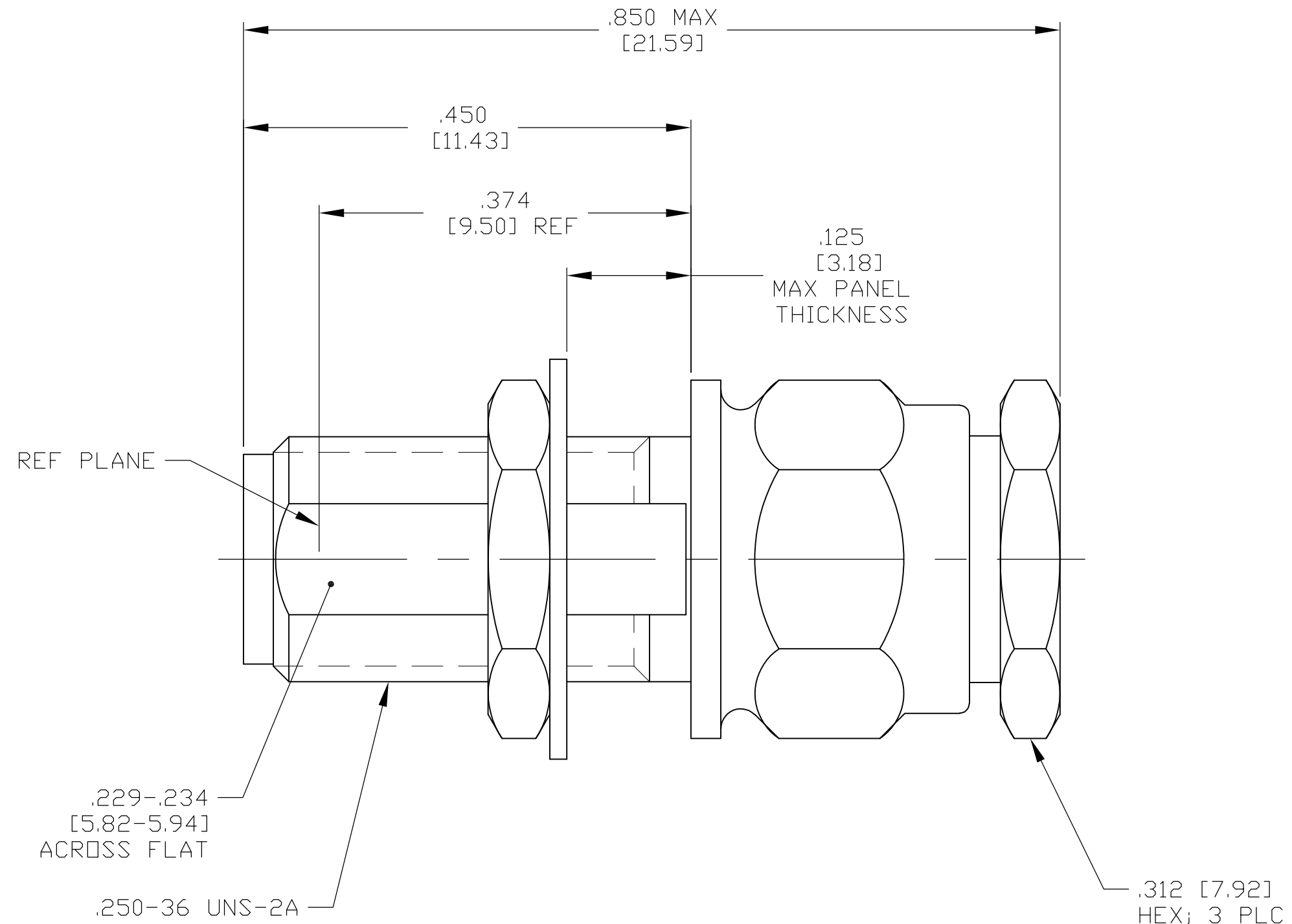


THIS DRAWING IS UNPUBLISHED. RELEASED FOR PUBLICATION
 © COPYRIGHT - By - ALL RIGHTS RESERVED.

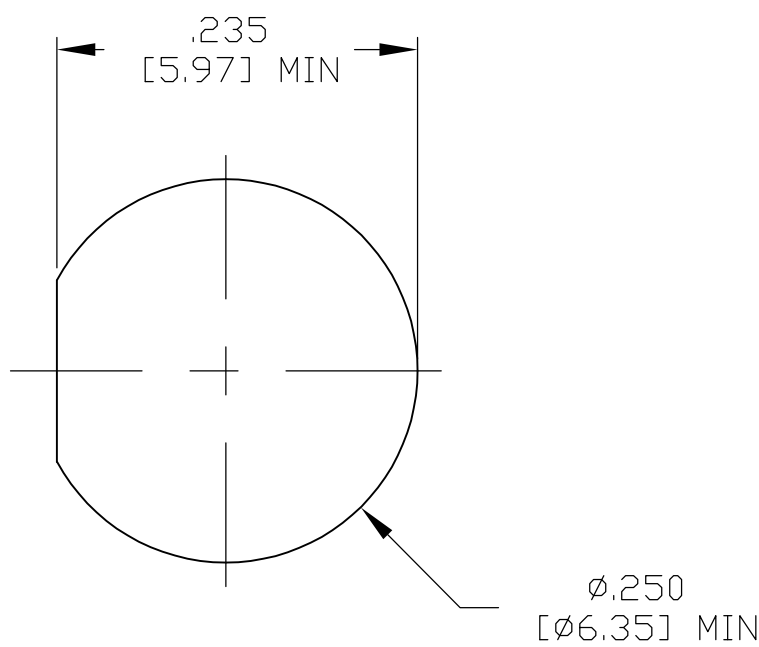
LOC		DIST		REVISIONS			
P	LTR	DESCRIPTION		DATE	DWN	APVD	
	B	RELEASED PER ECO 13-012087		7-29-13	CT	DW	

COMPONENT	MATERIAL	FINISH
HOUSING CLAMP NUT MOUNTING NUT LOCKWASHER	STAINLESS STEEL PER ASTM-A484 AND ASTM- A582, TYPE 303	PASSIVATE PER SAE-AMS-2700
DIELECTRIC	TFE FLUOROCARBON PER ASTM-D-1457, MIL-P-19468, AND FED. SPEC L-P-403	N/A
CENTER CONTACT	BERYLLIUM COPPER PER ASTM-B196, ALLOY 173	GOLD PLATE PER ASTM-B-488 OVER COPPER PLATE PER MIL-C-14550
COLLAR	BRASS PER ASTM-B-16 COMP. 360	GOLD PLATE PER ASTM-B-488 OVER COPPER PLATE PER MIL-C-14550



1. CAPTURED CENTER CONTACT
2. DESIGNED FOR USE WITH RG-195/U OR OTHER CABLES HAVING SIMILAR COMPONENT DIAMETERS.
3. PART SHOWN ASSEMBLED FOR REFERENCE ONLY SHIPPED UNASSEMBLED

MECHANICAL	ENVIRONMENTAL
Interface Dimensions <u>MIL-STD-348</u> <u>fig. 310.2</u>	Temperature Rating <u>-65°C TO +165°C</u>
Recommended Mating Torque <u>N/A</u>	Vibration <u>MIL-STD-202,</u> <u>Method 204, Cond. D</u>
Mating Characteristics: Insertion (MAX Lbs) <u>3.0</u> Withdrawal (MIN Oz) <u>1.0</u>	Shock <u>MIL-STD-202,</u> <u>Method 213, Cond. I</u>
Force to Engage (In/Lbs MAX) <u>2.0</u> Force to Disengage (In/Lbs MAX) <u>2.0</u>	Thermal shock <u>MIL-STD-202,</u> <u>Method 107, Cond. B</u> <u>except high Temp.</u>
Center Contact Captivation: Axial <u>6 lbs min.</u> Radial <u>N/A</u>	Moisture Resistance <u>MIL-STD-202,</u> <u>Method 106, insulation resistance</u> <u>shall be at least 200 megohms</u> <u>within 5 minutes after removal</u> <u>from humidity.</u>
Cable Retention Axial Lbs <u>30</u> Torque Inch Ounces <u>N/A</u> Weight (Grams) <u>TBD</u>	Corrosion <u>MIL-STD-202,</u> <u>Method 101, Cond. B (Salt Spray)</u>



RECOMMENDED
MOUNTING HOLE

THIS DRAWING IS A CONTROLLED DOCUMENT.		DWN C.C.THOMAS 7-29-13	TE Connectivity	
DIMENSIONS: INCHES [mm]		CHK D.WILSON 7-29-13		
TOLERANCES UNLESS OTHERWISE SPECIFIED:		APVD D.WILSON 7-29-13	NAME SMA BULKHEAD JACK ASSY, SOLDER CLAMP ATTACHMENT	
0 PLC ± - 1 PLC ± - 2 PLC ± - 3 PLC ± .005 [0.13] 4 PLC ± - ANGLES ± -		APPLICATION SPEC 408-04938	SIZE A2	CAGE CODE 00779
MATERIAL SEE TABLE	FINISH SEE TABLE	WEIGHT -	DRAWING NO C=1883504	RESTRICTED TO -
CUSTOMER DRAWING			SCALE 8:1	SHEET 1 of 1

1883504-1
PART NUMBER

X-ON Electronics

Largest Supplier of Electrical and Electronic Components

Click to view similar products for [RF Connectors / Coaxial Connectors](#) category:

Click to view products by [TE Connectivity](#) manufacturer:

Other Similar products are found below :

[R125315120](#) [8915-1511-000](#) [89674-0827](#) [5916-1103-603](#) [0106-001-000](#) [6-0001-3](#) [6001-7071-019](#) [6002-7051-003](#) [6002-7551-202](#) [6059674-1](#) [619550-1](#) [630059-000](#) [M39012/25-0021](#) [M39012/79-3008](#) [M39030/3-01N](#) [M39030/3-03N](#) [M3933/25-29N](#) [M3933/25-36N](#) [6500-7071-046](#) [6501-1071-002](#) [M83723/72W24576](#) [M83723/72W2457N](#) [6769](#) [CX050L2AQ](#) [7002-1541-010](#) [7003-1572-002](#) [7004-1512-000](#) [7009-1511-004](#) [7010-1511-000](#) [7029-1511-060](#) [7101-1541-010](#) [7101-1571-002](#) [7105-1521-002](#) [7145-1521-002](#) [7209-1511-011](#) [7210-1511-012](#) [7210-1511-015](#) [7210-1511-019](#) [7210-1511-040](#) [7225-1512-050](#) [7242-1511-000](#) [73137-5015](#) [73216-2241](#) [73251-0111](#) [73251-0672](#) [73276-1501](#) [73366-0013](#) [73404-2300](#) [73413-6080](#) [734151610](#)