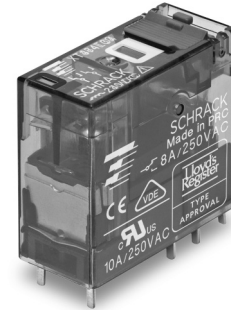


**Interface Plug-in Relay XT**

- 1 pole 16 A, 2 pole 8 A, 1 form C (1 CO) contact or 2 form C (2 CO) contacts
- DC or AC coil, sensitive coil 400 mW
- Reinforced insulation, protection class II (VDE 0700)
- 4kV/8mm dielectric strength between coil and contact
- Manual test tab, optionally lockable
- Version with mechanical and/or electrical indicator optional
- Suitable for use in Tyco Electronics' standard RT sockets
- Recycleable packaging



Typical applications  
Panel boards, mechanical engineering.



**Approvals**

VDE Cert. No. 40017832, UL E214025, Lloyds 08/20067 (E2)  
Technical data of approved types on request.

| Contact Data                              | XT 1pole                 | XT 2pole      |
|---|--------------------------|---------------|
| Contact arrangement                       | 1 form C (CO)            | 2 form C (CO) |
| Rated voltage                             | 240VAC                   | 240VAC        |
| Max. switching voltage                    | 400VAC                   | 400VAC        |
| Rated current                             | 16A                      | 8A, UL: 10A   |
| Limiting making current, max 4s, df 10%   | 30A                      | 15A           |
| Limiting short-time current, 30ms         | 300A                     | 300A          |
| Switching power                           | 4000VA                   | 2000VA        |
| Contact material                          | AgNi90/10                |               |
| Min. recommended contact load             | 12V at 10mA              |               |
| Initial voltage drop                      | 30mV at 100mA/6VDC       |               |
| Frequency of operation, with/without load | 360/36000h <sup>-1</sup> |               |
| Operate time, DC coil                     | typ. 8ms                 | typ. 10ms     |
| Release time, DC coil, without PD         | typ. 6ms                 | typ. 5ms      |
| Bounce time, form A/form B, DC coil       | typ. 4/6ms               | typ. 4/9ms    |

**Contact ratings**

| Type             | Contact        | Load                               | Cycles              |
|------------------|----------------|------------------------------------|---------------------|
| <b>IEC 61810</b> |                |                                    |                     |
| XT3              | C (CO)         | 16A, 250VAC, cosφ=1, 70°C          | 30x10 <sup>3</sup>  |
| XT3              | A (NO)         | 16A, 250VAC, cosφ=1, 70°C          | 50x10 <sup>3</sup>  |
| XT4              | C (CO)         | 8A, 250VAC, cosφ=1, 70°C           | 50x10 <sup>3</sup>  |
| XT4              | DC-coil A (NO) | 8A, 250VAC, cosφ=1, 70°C           | 100x10 <sup>3</sup> |
| <b>UL 508</b>    |                |                                    |                     |
| XT3              | C (CO)         | 16A, 250VAC, general purpose, 70°C | 30x10 <sup>3</sup>  |
| XT4              | C (CO)         | 10A, 250VAC, general purpose, 70°C | 20x10 <sup>3</sup>  |
| XT4              | C (CO)         | 8A, 250VAC, general purpose, 70°C  | 30x10 <sup>3</sup>  |

| Mechanical endurance |                               |
|----------------------|-------------------------------|
| DC coil              | 10x10 <sup>6</sup> operations |
| AC coil              | 5x10 <sup>6</sup> operations  |

**Coil Data**

|                                     |                             |
|-------------------------------------|-----------------------------|
| Coil voltage range                  | 6 to 110VDC<br>24 to 230VAC |
| Operative range, IEC 61810          | 2                           |
| Coil insulation system according UL | class 155 (F)               |

**Coil versions, DC coil**

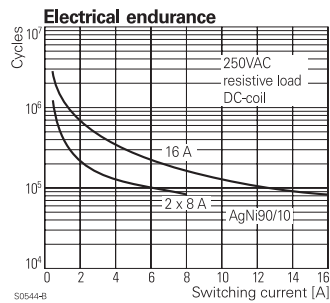
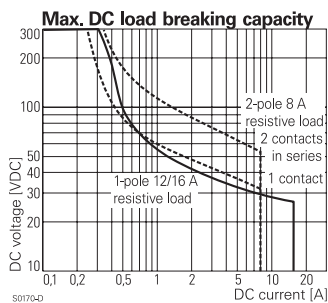
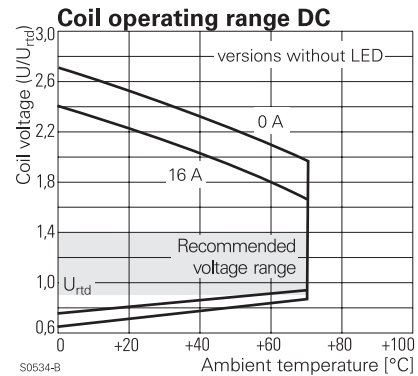
| Coil code | STD | LED | LED & PD <sup>3)</sup> | Rated voltage VDC | Operate voltage VDC | Release voltage VDC | Coil resistance Ω±10% <sup>1)</sup> | Rated coil power mW <sup>4)</sup> |
|-----------|-----|-----|------------------------|-------------------|---------------------|---------------------|-------------------------------------|-----------------------------------|
| 012       | L12 | LB2 |                        | 12                | 8.4                 | 1.2                 | 360                                 | 400/10                            |
| 024       | L24 | LC4 |                        | 24                | 16.8                | 2.4                 | 1440                                | 400/19                            |
| 048       | L48 | LE8 |                        | 48                | 33.6                | 4.8                 | 5520                                | 417/39                            |
| 110       | M10 | MB0 |                        | 110               | 77.0                | 11.0                | 28800 <sup>1)</sup>                 | 420/87                            |

1) Coil resistance ±12%.

3) Protection diode PD; standard polarity: +A1 / -A2.

4) Coil power/optional LED power.

All figures are given for coil without pre-energization, at ambient temperature +23°C. Other coil voltages on request.



**Interface Plug-in Relay XT** (Continued)

**Coil Data (continued)**

**Coil versions, AC coil**

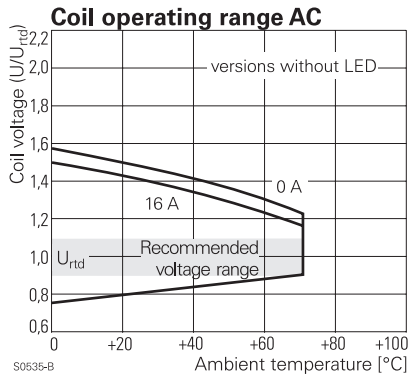
| Coil code | Rated voltage | Operate voltage | Release voltage | Coil resistance         | Rated coil power     |
|-----------|---------------|-----------------|-----------------|-------------------------|----------------------|
| STD       | LED           | 50/60Hz         | 50/60Hz         | $\Omega \pm 10\%^{(2)}$ | 50/60Hz              |
|           | VAC           | VAC             | VAC             |                         | VA <sup>(3)</sup>    |
| 524       | R24           | 24              | 18.0/19.2       | 3.6                     | 350                  |
| 615       | S15           | 115             | 86.3/92.0       | 17.3                    | 8100 <sup>(2)</sup>  |
| 730       | T30           | 230             | 172.5/184.0     | 34.5                    | 32500 <sup>(2)</sup> |

2) Coil resistance  $\pm 15\%$ .

3) Power for optional LED: 24VAC:12mVA, 115VAC: 54mVA, 230VAC: 73mVA.

All figures are given for coil without pre-energization, at ambient temperature +23°C.

Other coil voltages on request.



**Insulation Data**

|                                    |                        |
|------------------------------------|------------------------|
| Initial dielectric strength        |                        |
| between open contacts              | 1000Vrms               |
| between contact and coil           |                        |
| in combination with socket RT78726 | 5000Vrms               |
| in combination with socket RT78725 | 4000Vrms               |
| between adjacent contacts          | 2500Vrms               |
| Initial surge withstand voltage    |                        |
| between contact and coil           | 5000V (1,2/50 $\mu$ s) |
| Clearance/creepage                 |                        |
| between contact and coil           | $\geq 8$ mm            |
| Material group of insulation parts | IIIa                   |
| Tracking index of relay base       | PTI 175V               |

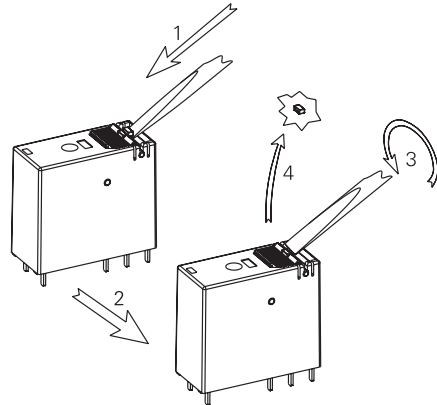
**Other Data**

Material compliance: EU RoHS/ELV, China RoHS, REACH, Halogen content refer to the Product Compliance Support Center at [www.te.com/customer-support/rohssupportcenter](http://www.te.com/customer-support/rohssupportcenter)

|  |   |
|--|---|
| Ambient temperature  | -40 to +70°C                                |
| Cold storage, IEC 60068-2-1                                | -40°C/16h                                   |
| Dry heat, IEC 60068-2-2                                    | 85°C/16h                                    |
| Damp heat cyclic   |   |
| IEC 60068-2-30, Db, Variant 1                              | 25/55°C for 12/12h (2 cycles)               |
| Category of environmental protection                       |   |
| IEC 61810  | RTII - flux proof                           |
| Vibration resistance (functional), form A (NO)/form B (NC) | 20/5g (30 to 500Hz)                         |
| Shock resistance (destructive)                             | 100g  |
| Terminal type  | plug-in                                     |
| Cover retention  |   |
| pull force   | 100 N                                       |
| push force   | 100 N                                       |
| Mounting distance  | $\geq 4.5$ mm,                              |
| corresponds to dense packing of sockets                    |   |
| Manual operation   | testing and locking position <sup>(6)</sup> |
| Weight   | 16g   |
| Packaging unit   | 10/250 pcs.                                 |

<sup>(6)</sup> Locking function description

If the test button is pulled out too forcefully, it may bypass the momentary testing position and go straight into the locked position. Delivery status is with testing possibility only, to reach locking position please remove the locking plastic pip according drawing.



**Accessories**

For details see datasheet [Accessories Interface Plug-in Relay XT](#)

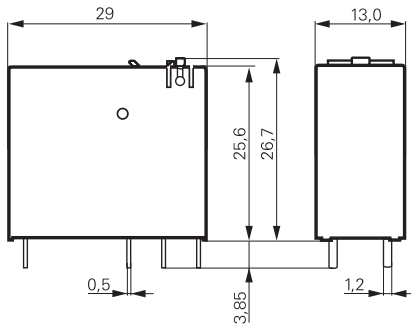
Note: indicated contact ratings and electrical endurance data for direct wiring of relays (according IEC 61810-1); for relays mounted on sockets deratings may apply.

**Product Sets**

Complete sets consisting of a relay mounted on a socket  
see [Package XT](#)

**Interface Plug-in Relay XT** (Continued)

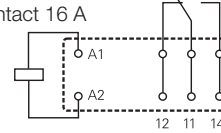
**Dimensions**



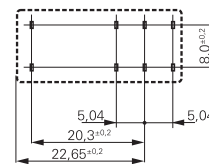
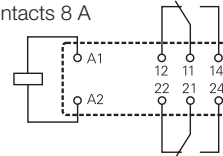
**Terminal assignment**

Bottom view on pins

1 form C (CO) contact 16 A



2 form C (CO) contacts 8 A



**Product code structure**

Typical product code **XT 3 7 4 T30**

|                              |  |   |                                  |            |
|------------------------------|--|---|----------------------------------|------------|
| <b>Type</b>                  | XT Interface Plug-in Relay XT                  |   |                                  |            |
| <b>Version</b>               | <b>3</b> 1 pole, 16A, pinning 5mm              | <b>7</b> 1 form C contact (1 CO) with test button and mechanical indicator  | <b>4</b> 2 pole, 8A, pinning 5mm | <b>T30</b> |
| <b>Contact configuration</b> | <b>2</b> 2 form C contacts (2 CO)              | <b>8</b> 2 form C contacts (2 CO) with test button and mechanical indicator |                                  |            |
| <b>Contact material</b>      | <b>4</b> AgNi90/10                             |   |                                  |            |
| <b>Coil</b>                  | Coil code: please refer to coil versions table |   |                                  |            |

| Product key | Contacts      | Cont. material | Coil    | Coil   | Part number |
|-------------|---------------|----------------|---------|--------|-------------|
| XT374LC4    | 1 form C      | AgNi90/10      | DC coil | 24VDC  | 1887112-1   |
| XT374R24    | 1 CO contact  | test button,   | AC coil | 24VAC  | 1887113-3   |
| XT374T30    | 16A           | mechanical     |         | 230VAC | 1887113-1   |
| XT484LC4    | 2 form C      | and electrical | DC coil | 24VDC  | 1887212-1   |
| XT484R24    | 2 CO contacts | indicator      | AC coil | 24VAC  | 1887213-3   |
| XT484T30    | 8A            |                |         | 230VAC | 1887213-1   |

Other types on request.

## X-ON Electronics

Largest Supplier of Electrical and Electronic Components

*Click to view similar products for [General Purpose Relays](#) category:*

*Click to view products by [TE Connectivity](#) manufacturer:*

Other Similar products are found below :

[PCN-105D3MH,000](#) [59641F200](#) [5JO-1000CD-SIL](#) [5X827E](#) [5X837F](#) [5X840F](#) [5X842F](#) [5X848E](#) [LY2N-AC120](#) [LY2-US-AC120](#) [LY2-US-DC24](#) [LY3-US-AC120](#) [LY4F-UA-DC12](#) [LY4F-UA-DC24](#) [LY4F-US-AC120](#) [LY4F-US-AC240](#) [LY4F-US-DC24](#) [LY4F-VD-AC110](#) [M115C60](#) [M115N010](#) [M115N0150](#) [603-12D](#) [60HE1-5DC](#) [60HE2S-12DC](#) [61211T0B4](#) [61212T400](#) [61222Q400](#) [61243B600](#) [61243C500](#) [61243Q400](#) [61311BOA2](#) [61311BOA6](#) [61311BOA8](#) [61311C0A2](#) [61311COA1](#) [61311COA6](#) [61311F0A2](#) [61311QOA1](#) [61311QOA4](#) [61311T0D6](#) [61311TOA6](#) [61311TOA7](#) [61311TOB3](#) [61311TOB4](#) [61311U0A6](#) [61312Q600](#) [61312T400](#) [61312T600](#) [61313U200](#) [61313U400](#)