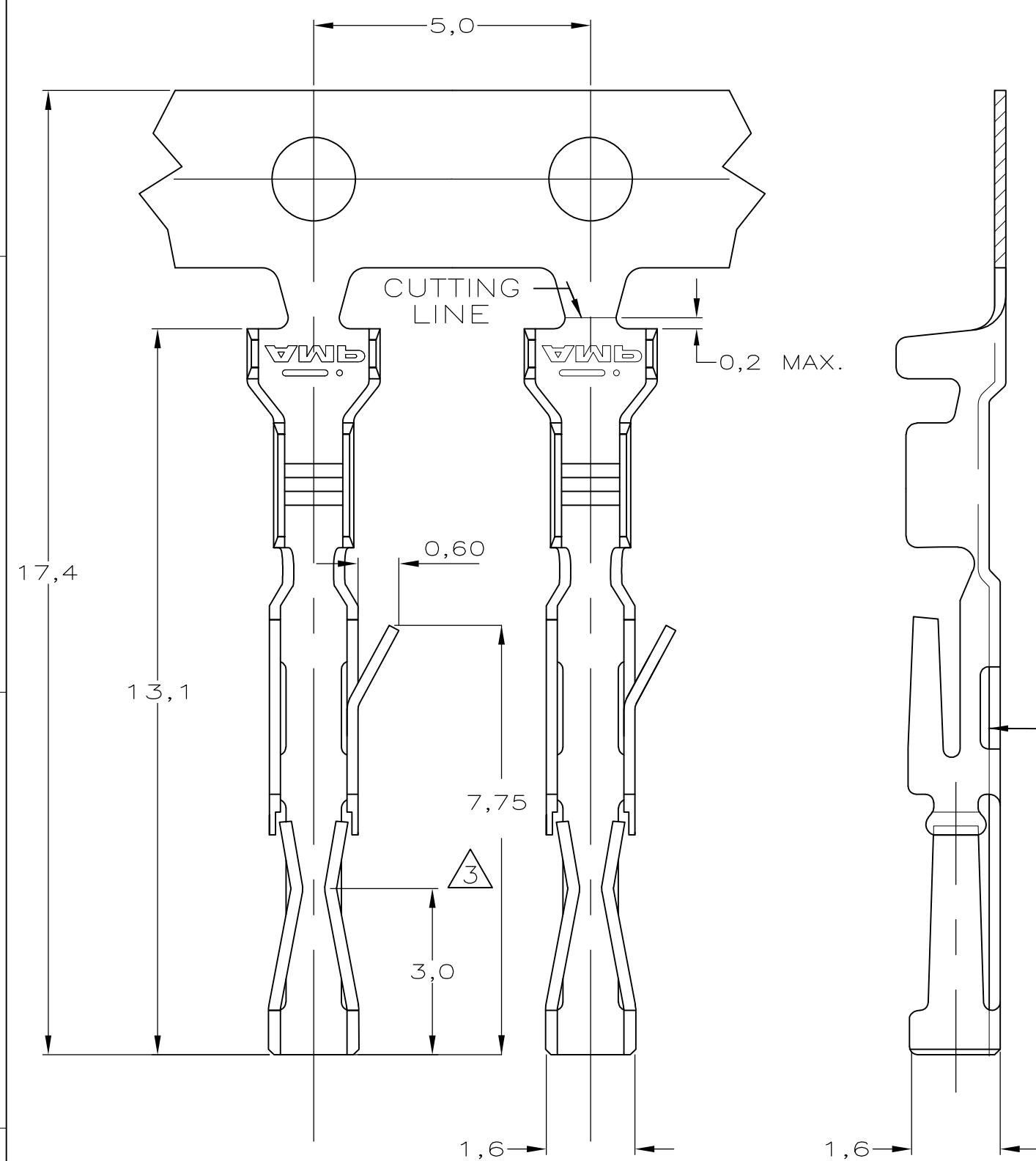


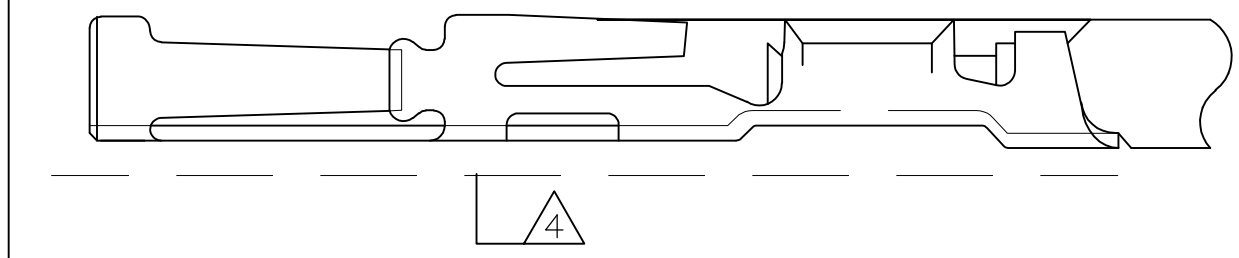
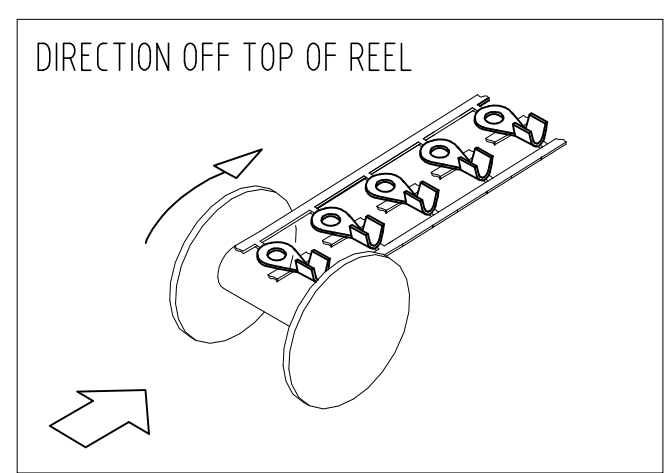
THIS DRAWING IS UNPUBLISHED.
 DIFFUSION RESTREINTE AMP
 © COPYRIGHT - By -
 ALL RIGHTS RESERVED.
 TOUS DROITS RESERVES

LOC	DIST	REVISIONS			
P	LTR REV	DESCRIPTION MODIFICATIONS	DATE	DWN DESS.	APVD APP.
F	7	G2	TIN PLATING THICKNESS CORRECTED AND REELING DIRECTION IS ALSO ADDED	29JUN2015	NG PS




NOTES:

- ① CONTACT MATERIAL: PHOSPHORBRONZE
- ② PLATING: MIN. 1,5µm Sn
- ③ CONTACT POINT
- ④ BOTTOM OF CONTACT TO BE STRAIGHT AFTER CRIMPING OF WIRE
- 5 WIRE RANGE: 0,08-0,22mm²
INSULATION RANGE: 0,80-1,50 DIA.
- ⑥ OPTIONAL
- 7 THE CONTACT MEETS THE REQUIREMENT OF INTERNATIONAL STANDARD IEC 603-8
- ⑧ LOOSE PIECE VERSION



	188744-1	182734-2	⑧
②	①	188744-1	
FINISH	MATERIAL	PART NUMBER	

THIS DRAWING IS A CONTROLLED DOCUMENT. CE PLAN EST UN DOCUMENT CONTROLE		DWN / DESSINE 22-NOV-04 Jean-Jacques DESPRETZ		 TE Connectivity	
DIMENSIONS: mm		CHK / VERIFIE - T CORRIOU			
TOLERANCES UNLESS OTHERWISE SPECIFIED: TOLERANCES NON SPECIFIEES (SUIV NB DE DECIMALES):		APVD / APPROUVE - Y PETRONIN		HE1402 CONNECTOR (TIN VERSION)	
0 - PLC / DEC ± -		PRODUCT SPEC SPEC. PRODUIT -		CRIMP CONTACT (AWG 28-24)	
1 - PLC / DEC ± -		APPLICATION SPEC SPEC. APPLICATION -		SIZE FORMAT	
2 - PLC / DEC ± -		WEIGHT MASSE APPROX. -		CAGE CODE	
3 - PLC / DEC ± -		CUSTOMER DRAWING / PLAN CLIENT		DRAWING NO No PLAN	
4 - PLC / DEC ± -		UNIQUEMENT POUR REFERENCE		G-188744	
ANGLES ± -		SCALE ECHELLE 1:1		RESTRICTED TO	
FINISH FINITION -		SHEET FEUILLE 1 OF DE 1		REV G2	

X-ON Electronics

Largest Supplier of Electrical and Electronic Components

Click to view similar products for [Headers & Wire Housings](#) category:

Click to view products by [TE Connectivity](#) manufacturer:

Other Similar products are found below :

[892-18-020-10-001101](#) [58102-G61-06LF](#) [582553-1](#) [0009485154](#) [009176003701906](#) [0050291907](#) [LY20-4P-DT1-P1E-BR](#) [02.125.8002.8](#)
[609-3404](#) [61062-3](#) [61082-181009](#) [622-3653LF](#) [63453-116](#) [636-1030](#) [636-1427](#) [636-3427](#) [636-4007](#) [641938-9](#) [641991-4](#) [644827-2](#) [65817-010LF](#) [65817-015LF](#) [65863-015LF](#) [66207-023LF](#) [67095-007LF](#) [67601157](#) [68645-018](#) [68648-049](#) [70.362.1628.0](#) [70-4210](#) [70-4226B](#) [70-4853B](#) [707-5020](#) [707-5028](#) [71.350.2428.0](#) [71918-208LF](#) [71961-016LF](#) [733-134](#) [733-162](#) [754199-000](#) [760-3052](#) [787-8014-00](#) [79531-3000](#)
[FCN-360C032-B](#) [FCN-367T-T012/H](#) [FCN-723D010/2](#) [80.063.4001.1](#) [800-90-001-10-001000](#) [800-90-010-10-002000](#) [801-43-002-10-013000](#)