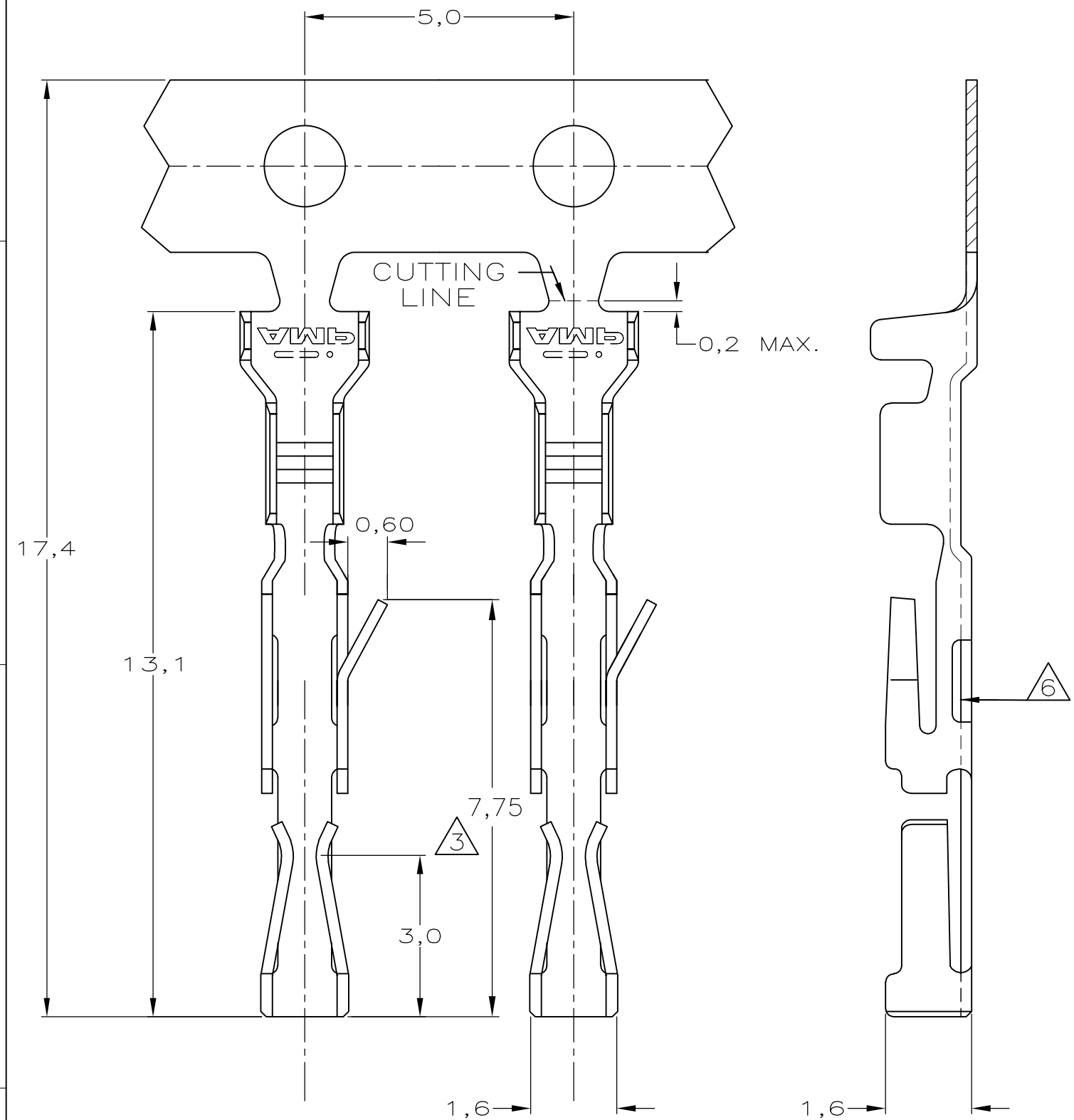


THIS DRAWING IS UNPUBLISHED.
 DIFFUSION RESTREINTE AMP
 © COPYRIGHT - By -
 ALL RIGHTS RESERVED.
 TOUS DROITS RESERVES

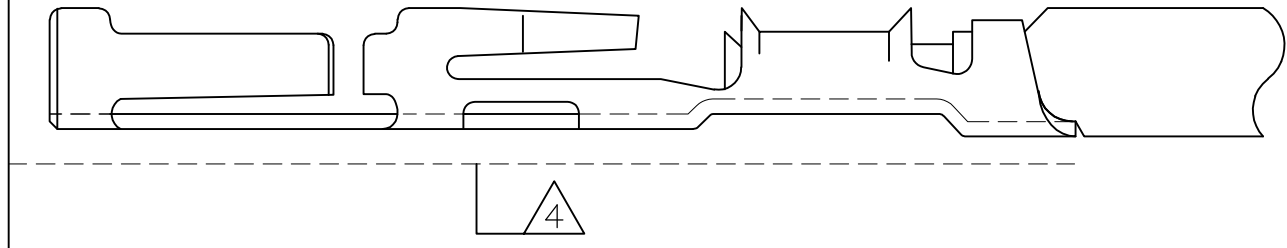
LOC	DIST	REVISIONS			
P	LTR REV	DESCRIPTION MODIFICATIONS	DATE	DWN DESS.	APVD APP.
F	7	F1	REVISED PER ECO-11-005150	21MAR11	RK HMR



NOTES:

- ① CONTACT MATERIAL: PHOSPHORBRONZE
- ② PLATING: UNDERCOATING 1,3 μm Ni OVERALL
 AT CONTACTPLACE 0,8μm Au
 AT CRIMPBARRELS 2,5μm Sn
- ③ CONTACT POINT
- ④ BOTTOM OF CONTACT TO BE STRAIGHT
 AFTER CRIMPING OF WIRE
- 5 WIRE RANGE: 0,08-0,22mm²
 INSULATION RANGE: 0,80-1,50 DIA.
- ⑥ OPTIONAL
- 7 THE CONTACT MEETS THE REQUIREMENT OF
 INTERNATIONAL STANDARD IEC 603-8

LOOSE PIECE	②	①	182734-3
STRIP	②	①	188746-1
CONFIGURATION	FINISH	MATERIAL	PARTNUMBER



THIS DRAWING IS A CONTROLLED DOCUMENT.
 CE PLAN EST UN DOCUMENT CONTROLE

DIMENSIONS: mm	TOLERANCES UNLESS OTHERWISE SPECIFIED: TOLERANCES NON SPECIFIEES (SUIV NB DE DECIMALES): 0-PLC/DEC ± - 1-PLC/DEC ± 0.3 2-PLC/DEC ± - 3-PLC/DEC ± - 4-PLC/DEC ± - ANGLES ± 1	DWN/DESSINE JJ DESPRETZ 22-NOV-04 CHK/VERIFIE T CORRIOU APVD/APPROUVE Y PETRONIN PRODUCT SPEC SPEC. PRODUIT APPLICATION SPEC SPEC. APPLICATION	NAME TITRE HE 1302 CONNECTOR (GOLD VERSION) CRIMP CONTACT (AWG 28-24)
MATERIAL MATIERE	FINISH FINITION	WEIGHT MASSE APPROX. -	SIZE FORMAT A3

CUSTOMER DRAWING/PLAN CLIENT UNIQUEMENT POUR REFERENCE

SCALE ECHELLE 1:1	SHEET FEUILLE 1 OF 1	DRAWING NO No PLAN G-188746	RESTRICTED TO
----------------------	-------------------------	-----------------------------------	---------------

REV F1

X-ON Electronics

Largest Supplier of Electrical and Electronic Components

Click to view similar products for [Headers & Wire Housings](#) category:

Click to view products by [TE Connectivity](#) manufacturer:

Other Similar products are found below :

[892-18-020-10-001101](#) [58102-G61-06LF](#) [582553-1](#) [0009485154](#) [009176003701906](#) [0050291907](#) [LY20-4P-DT1-P1E-BR](#) [02.125.8002.8](#)
[609-3404](#) [61062-3](#) [61082-181009](#) [622-3653LF](#) [63453-116](#) [636-1030](#) [636-1427](#) [636-3427](#) [636-4007](#) [641938-9](#) [641991-4](#) [644827-2](#) [65817-](#)
[010LF](#) [65817-015LF](#) [65863-015LF](#) [66207-023LF](#) [67095-007LF](#) [67601157](#) [68645-018](#) [68648-049](#) [70.362.1628.0](#) [70-4210](#) [70-4226B](#) [70-](#)
[4853B](#) [707-5020](#) [707-5028](#) [71.350.2428.0](#) [71918-208LF](#) [71961-016LF](#) [733-134](#) [733-162](#) [754199-000](#) [760-3052](#) [787-8014-00](#) [79531-3000](#)
[FCN-360C032-B](#) [FCN-367T-T012/H](#) [FCN-723D010/2](#) [80.063.4001.1](#) [800-90-001-10-001000](#) [800-90-010-10-002000](#) [801-43-002-10-013000](#)