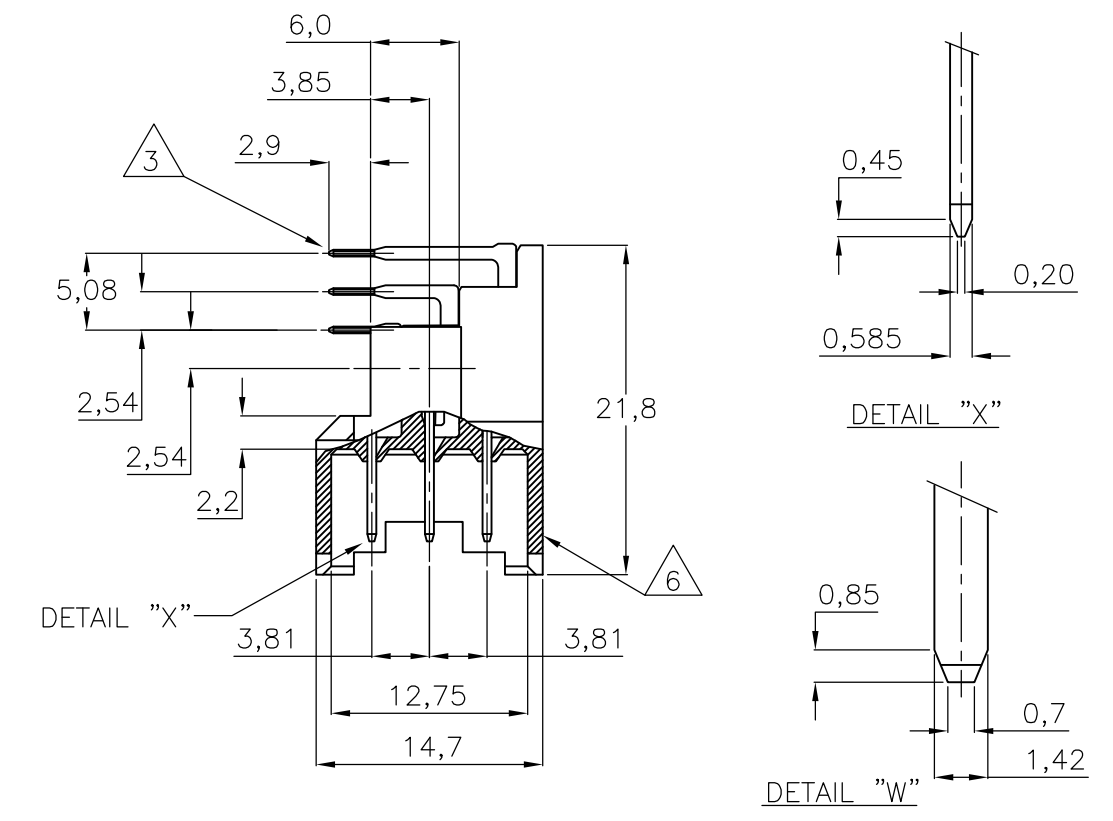
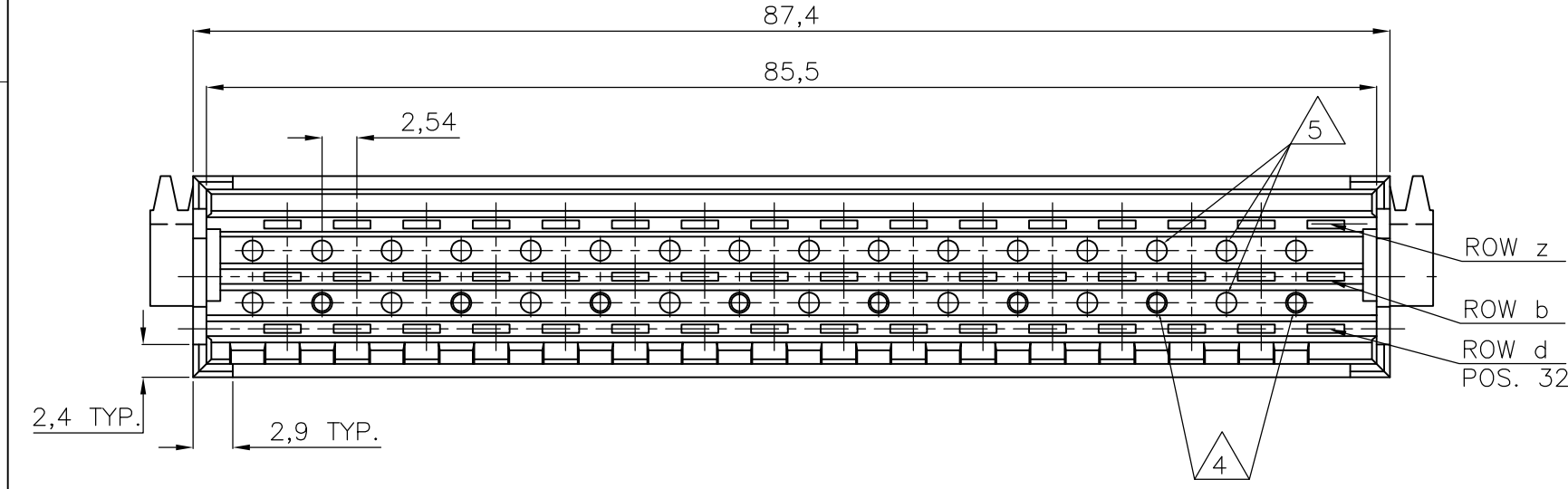
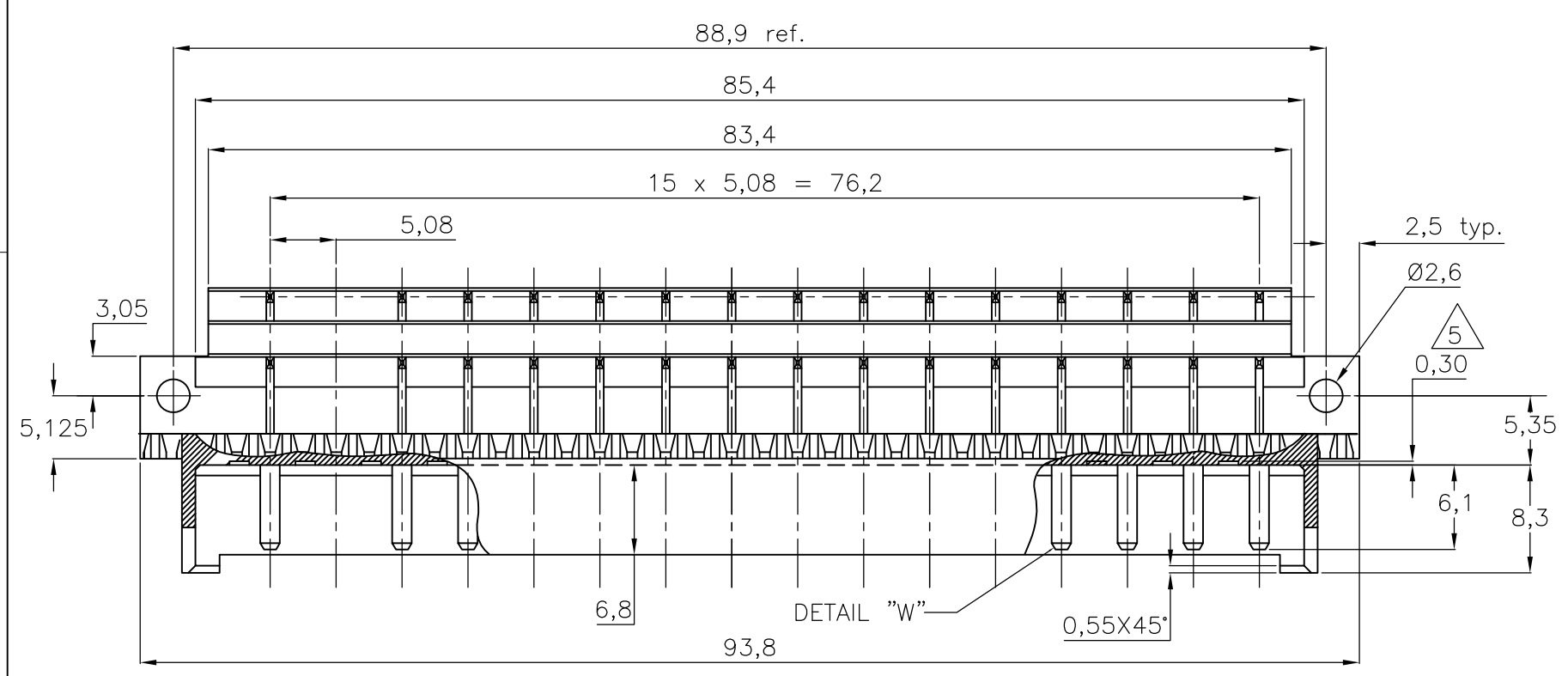


THIS DRAWING IS UNPUBLISHED. RELEASED FOR PUBLICATION
 © COPYRIGHT - By - ALL RIGHTS RESERVED.

LOC	DIST	REVISIONS					
H	-	P	LTR	DESCRIPTION	DATE	DWN	APVD
			F	REVISED PER ECO-15-005333	07JUL2015	AP	RP



CONTACT No.	2	4	6	8	10	12	14	16	18	20	22	24	26	28	30	32
z	x		x	x	x	x	x	x	x	x	x	x	x	x	x	x
F 48 ROW b	x															
d	x		x	x	x	x	x	x	x	x	x	x	x	x	x	x

AN ASTERISK „X” DENOTES A STANDARD CONTACT.

RESTRICTED TO HONEYWELL

NOTES:

- ① MATERIAL:
 -HOUSING: THERMOPLASTIC POLYESTER, COLOR GREY.
 -CONTACTS: BRASS.
- ② PLATING CONTACT:
 -1 : EIC 60603-2 PERFORMANCE LEVEL I OVER NICKEL IN CONTACT AREA.
 Sn OVER 1.25µm Ni ON SOLDER POST.
 -4 : EIC 60603-2 PERFORMANCE LEVEL II OVER NICKEL IN CONTACT AREA.
 Sn OVER 1.25µm Ni ON SOLDER POST.
- ③ SOLDER POSTS SUITABLE FOR P.C.B. HOLES
 0,8±0,05 OR 1,0±0,1 DIA.
- ④ 8 HOLES SUITABLE FOR KEYING PIN PN. 215916-1.
- ⑤ KEYING HOLES TO BE DRILLED BY CUSTOMER.
- ⑥ PRINTING PART NUMBER AND DATE CODE AT THIS SIDE.

THIS DRAWING IS A CONTROLLED DOCUMENT.

DIMENSIONS:	TOLERANCES UNLESS OTHERWISE SPECIFIED:
mm	
	0 PLC ± -
	1 PLC ± -
	2 PLC ± -
	3 PLC ± -
	4 PLC ± -
	ANGLES ± -
MATERIAL	FINISH
-	-

DWN	R.V.LOKVEN	25MAY93
CHK	J.V.GRUNSEVEN	25MAY93
APVD	L.V.SOET	25MAY93
PRODUCT SPEC	-	-
APPLICATION SPEC	-	-
WEIGHT	-	-

OBSOLETE	SEE NOTE ②	SEE NOTE ①	188753-4
	FINISH	MATERIAL	188753-1
			PARTNUMBER
STE TE Connectivity			
31 POS. DIN 41612 F MALE 90° SOLDER CONNECTOR			
SIZE	CAGE CODE	DRAWING NO	RESTRICTED TO
A3	00779	C-188753	-
CUSTOMER DRAWING		SCALE	SHEET
		NTS	1 OF 1
		REV	F

X-ON Electronics

Largest Supplier of Electrical and Electronic Components

Click to view similar products for [General Purpose Relays](#) category:

Click to view products by [TE Connectivity](#) manufacturer:

Other Similar products are found below :

[PCN-105D3MH,000](#) [59641F200](#) [5JO-1000CD-SIL](#) [LY1SAC110120](#) [5X827E](#) [5X837F](#) [5X840F](#) [5X842F](#) [5X848E](#) [LY2N-AC120](#) [LY2S-AC220/240](#) [LY2-US-AC120](#) [LY3-US-AC120](#) [LY4F-UA-DC12](#) [LY4F-UA-DC24](#) [LY4F-US-AC120](#) [LY4F-US-AC240](#) [LY4F-US-DC24](#) [LY4F-VD-AC110](#) [LYQ20DC12](#) [M115C60](#) [M115N010](#) [M115N0150](#) [6031007G](#) [603-12D](#) [61211T0B4](#) [61212T400](#) [61222Q400](#) [61243B600](#) [61243C500](#) [61243Q400](#) [61311BOA2](#) [61311BOA6](#) [61311BOA8](#) [61311C0A2](#) [61311COA1](#) [61311COA6](#) [61311F0A2](#) [61311QOA1](#) [61311QOA4](#) [61311T0D6](#) [61311TOA6](#) [61311TOA7](#) [61311TOB3](#) [61311TOB4](#) [61311U0A6](#) [61312Q600](#) [61312T400](#) [61312T600](#) [61313U200](#)