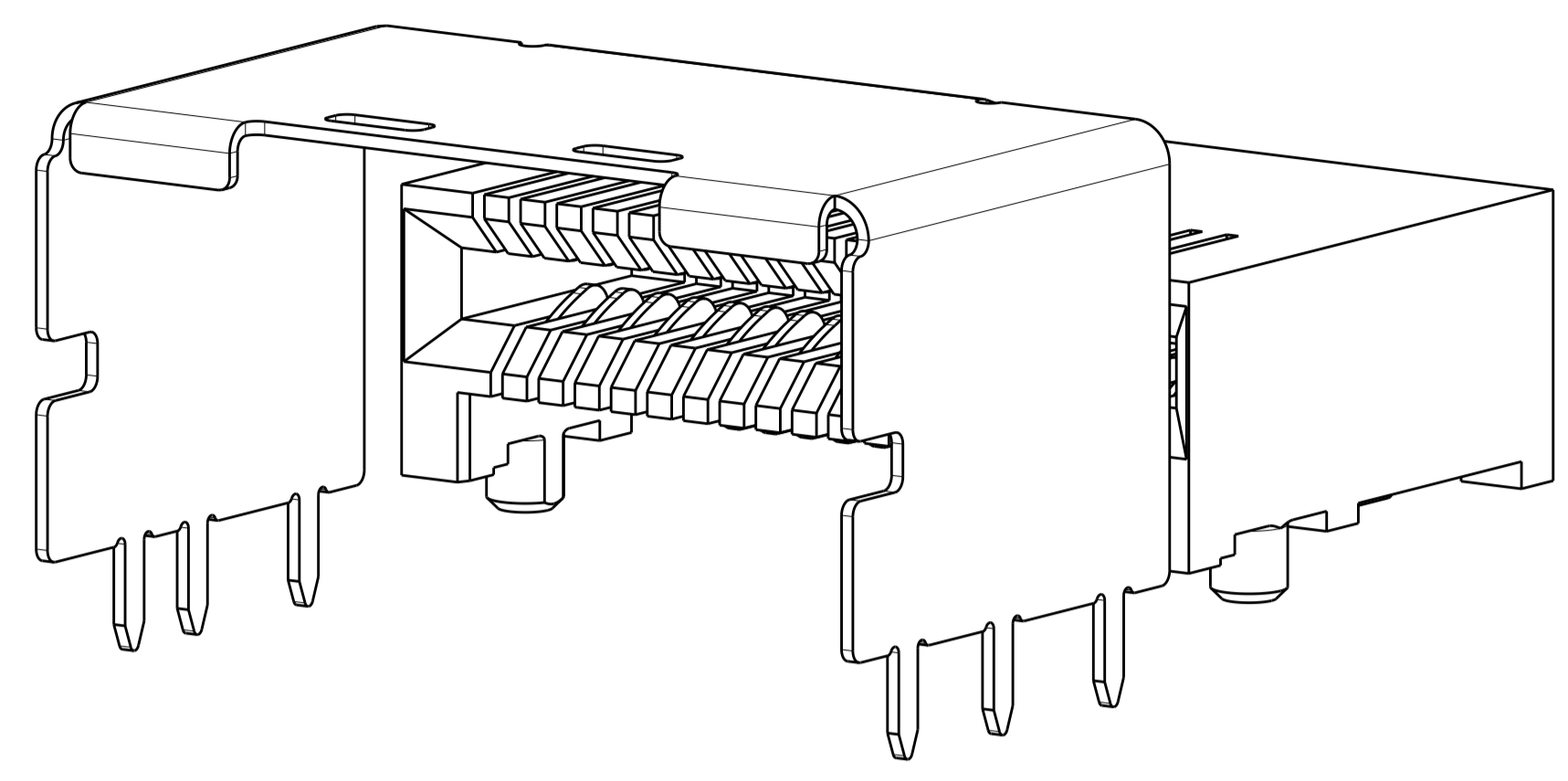
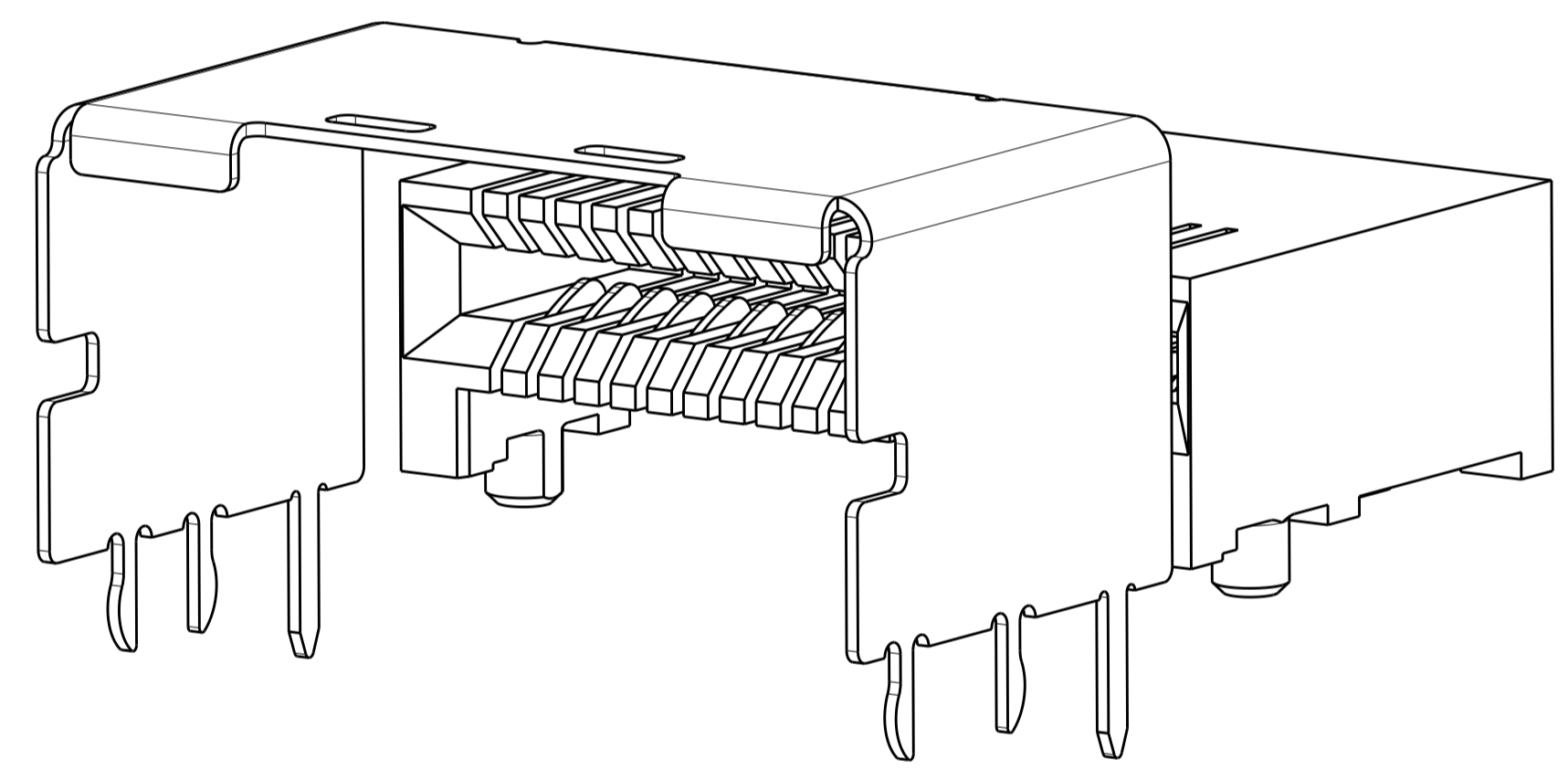


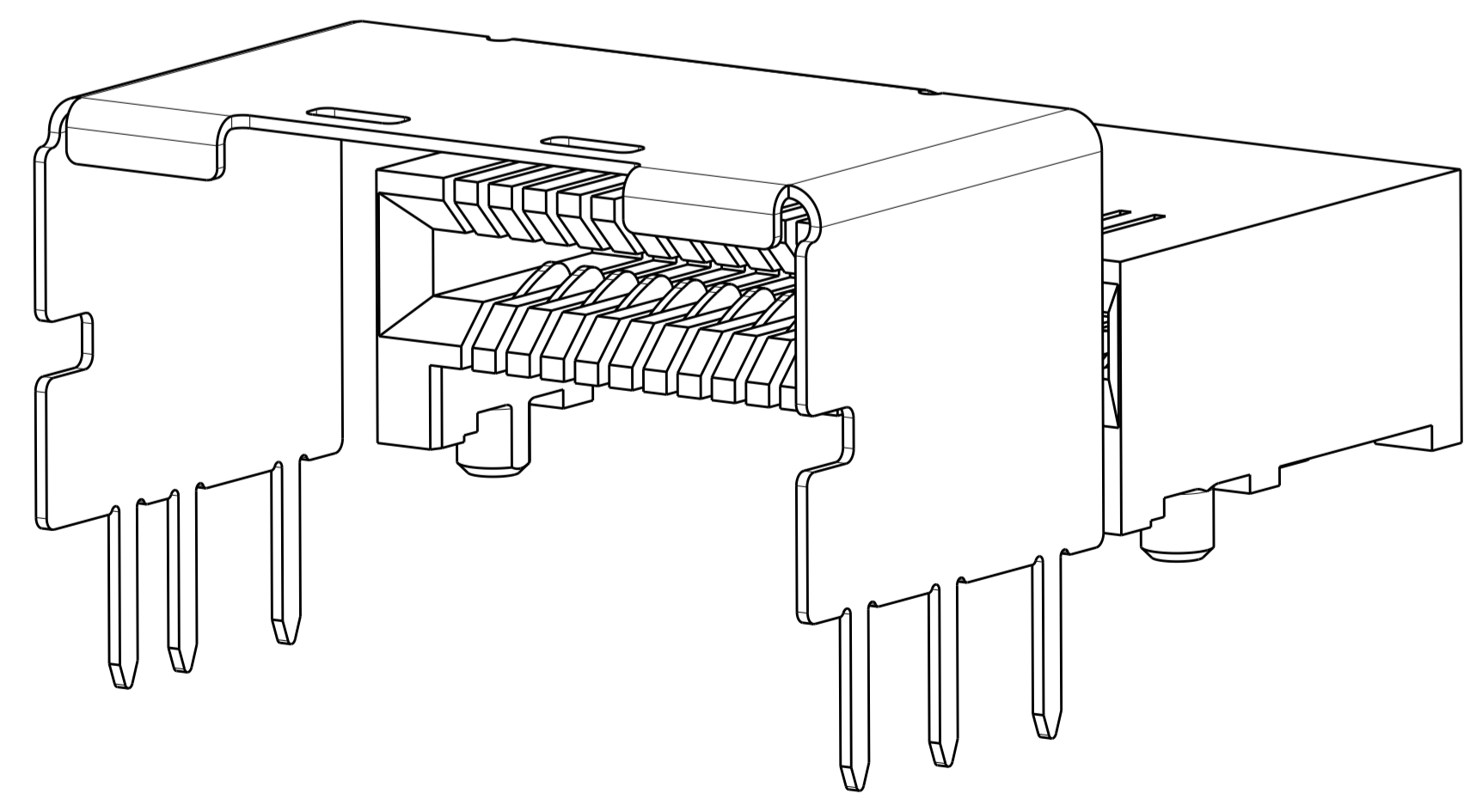
LOC		DIST		REVISONS			
P	LTN	DESCRIPTION	DATE	DWN	APVD		
B2		REVISED PER ECO-11-004835	11MAR2011	RK	HMR		
B3		REVISED PER ECO-19-002570	26DEC2018	JY	SH		
B4		REVISED PER ECO-20-004397	26MAR2020	TX	DZ		



1888019-2  
 SHOWN WITHOUT PICK AND PLACE DEVICE  
 SCALE 8:1

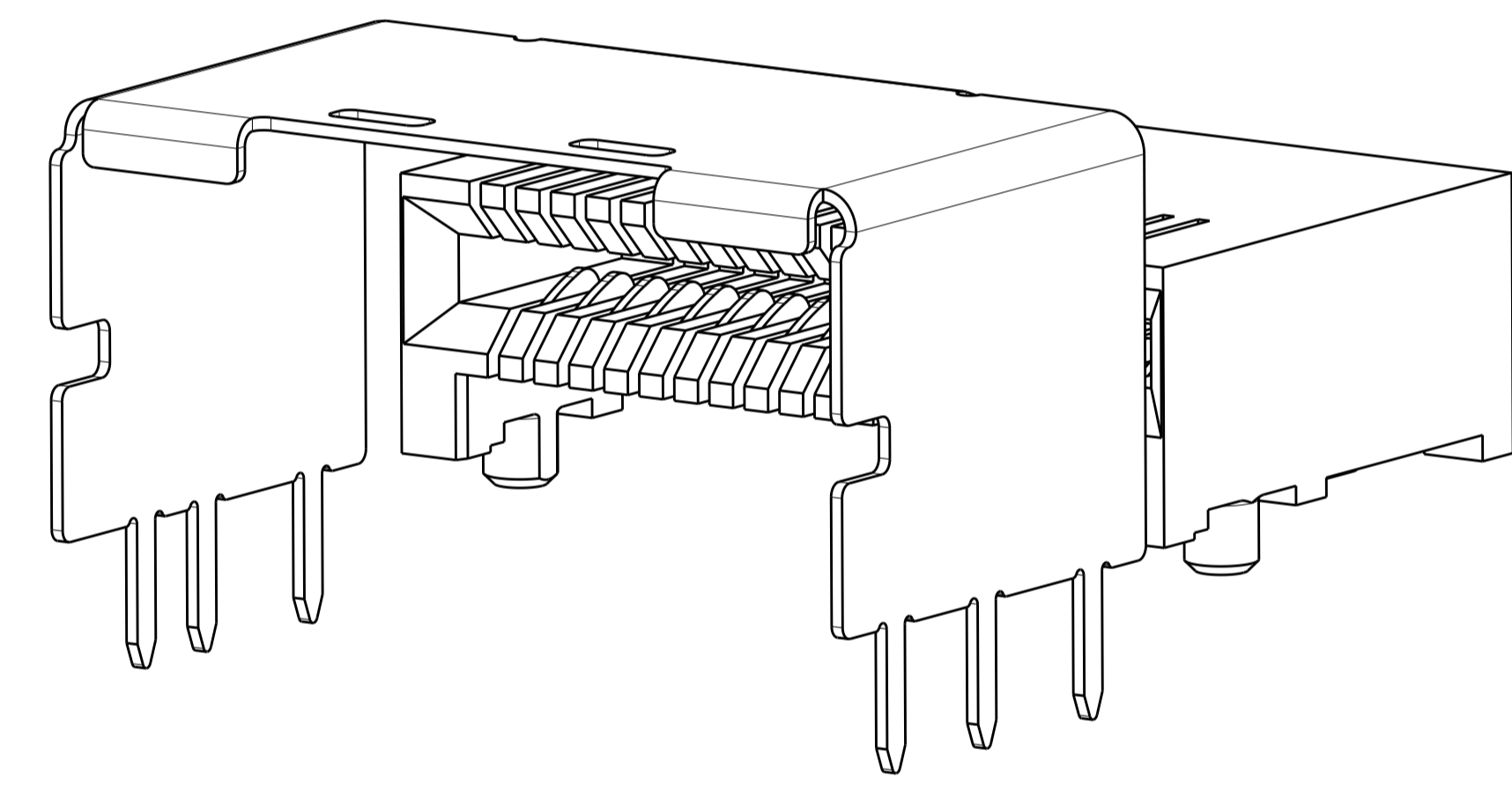


1888019-4  
 SHOWN WITHOUT PICK AND PLACE DEVICE  
 SCALE 8:1



1888019-8  
 SHOWN WITHOUT PICK AND PLACE DEVICE  
 SCALE 8:1

- 1 MATERIAL: LCP, BLACK, UL94 V0.
- 2 MATERIAL: PHOSPHOR BRONZE PER ASTM B 103.
- 3 FINISH: 0.76µm MIN GOLD PLATE PER ASTM B 488, APPLIES TO INTERFACE AREA AND 2.03µm MIN TIN PLATE SOLDER TAILS, ALL OVER 3.81µm MIN NICKEL PLATE PER QQ-N-290.
- 4 MATERIAL: NICKEL-SILVER PER ASTM B 122.
- 5 DATUM AND BASIC DIMENSION ESTABLISHED BY CUSTOMER.
- 6. REFER TO CUSTOMER DRAWING 1761987 FOR CONNECTOR DETAILS.
- 7. PACKAGED IN TAPE AND REEL PER EIA-481.
- 8 FINISH: 0.38µm MIN GOLD PLATE PER ASTM B 488, APPLIES TO INTERFACE AREA AND 2.03µm MIN TIN PLATE SOLDER TAILS, ALL OVER 3.81µm MIN NICKEL PLATE PER QQ-N-290.
- 9 CUSTOMIZED PACKAGE SPEC FOR 1-1888019-3 AND 1-1888019-4



1888019-6, 1-1888019-3 AND 1-1888019-4  
 SHOWN WITHOUT PICK AND PLACE DEVICE  
 SCALE 8:1

8	THRU HOLE	3.5	17.8	16	16	36	18.05	36	1-1888019-2
	THRU HOLE	2.8	17.8	16	16	36	18.05	36	1-1888019-1
	PRESS FIT	-	17.8	16	16	36	18.05	36	1-1888019-0
3	THRU HOLE	2	17.8	16	16	36	18.05	36	1888019-9
	THRU HOLE	2.8	17.8	16	16	36	18.05	36	1-1888019-4 9
	THRU HOLE	2.8	17.8	16	16	36	18.05	36	1-1888019-3 9
	THRU HOLE	3.5	17.8	16	16	36	18.05	36	1888019-8
	THRU HOLE	2.8	17.8	16	16	36	18.05	36	1888019-6
	PRESS FIT	-	17.8	16	16	36	18.05	36	1888019-4
	THRU HOLE	2	17.8	16	16	36	18.05	36	1888019-2
FINISH	SHELL TYPE	G	E	D	C	B	A	POSN	PART NUMBER

THIS DRAWING IS A CONTROLLED DOCUMENT. DWN M.E. CONNER 18JUL2005  
 CHK R.R. HENRY 18JUL2005  
 APVD R.R. HENRY 18JUL2005

**STE** TE Connectivity

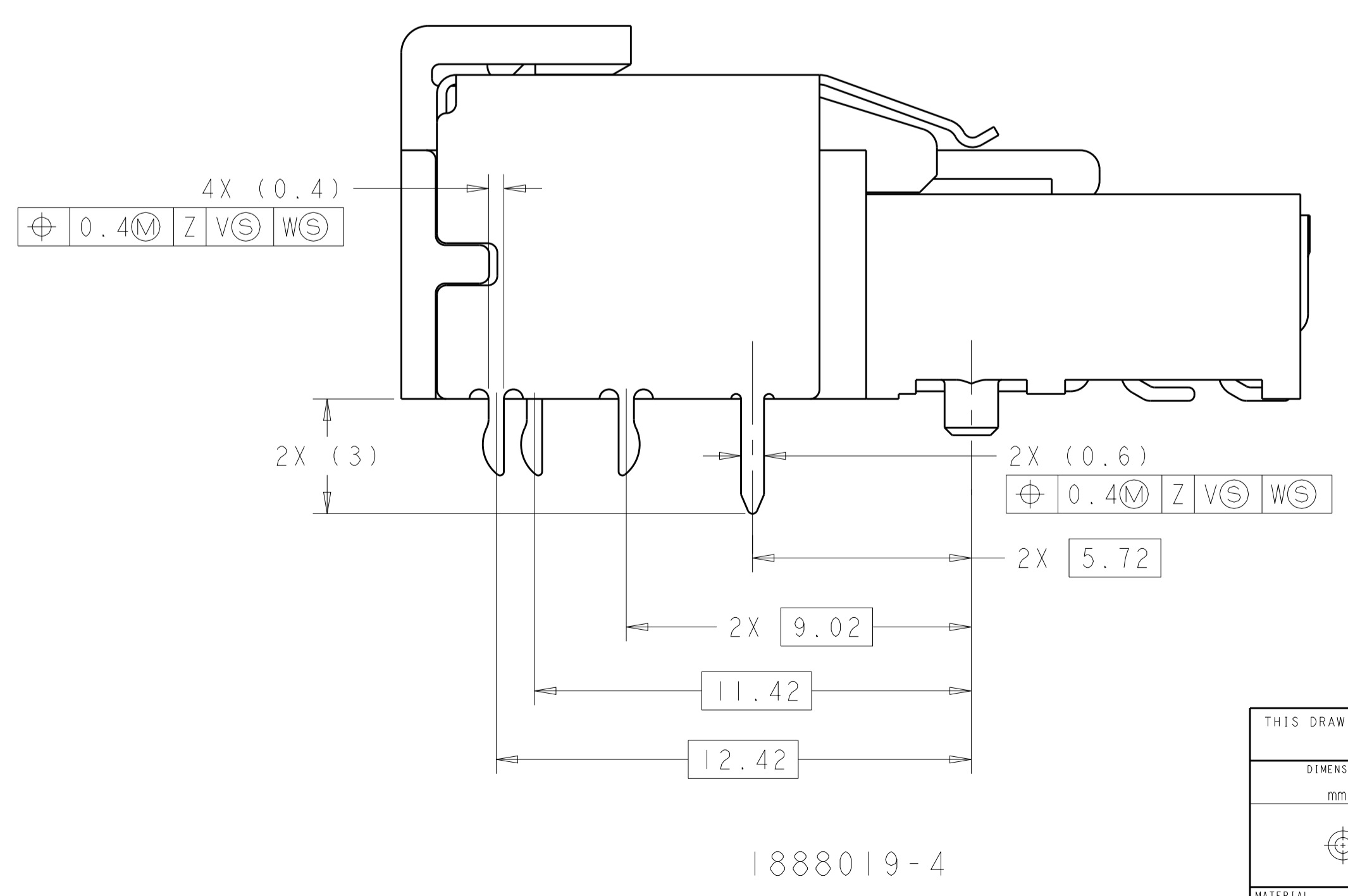
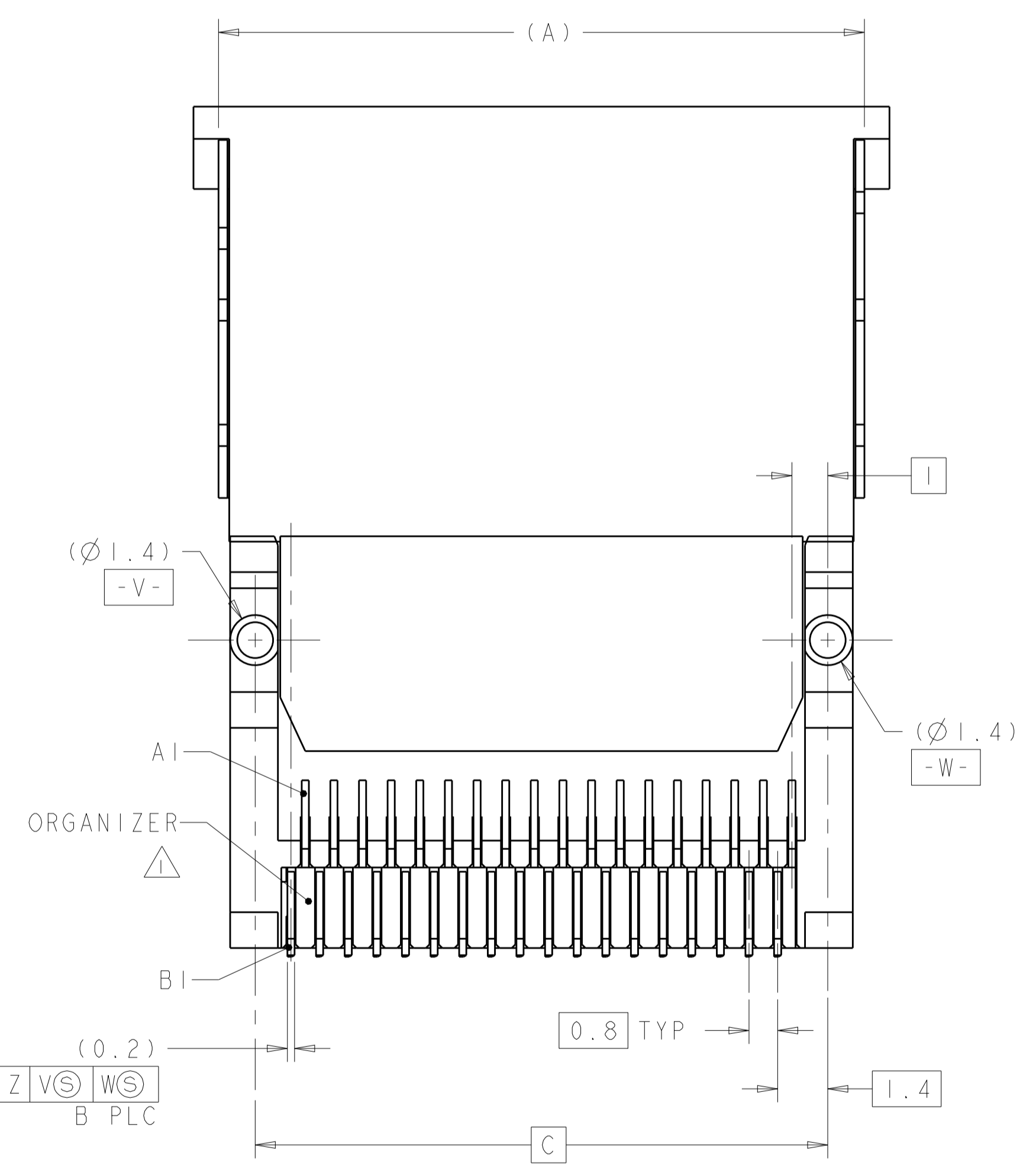
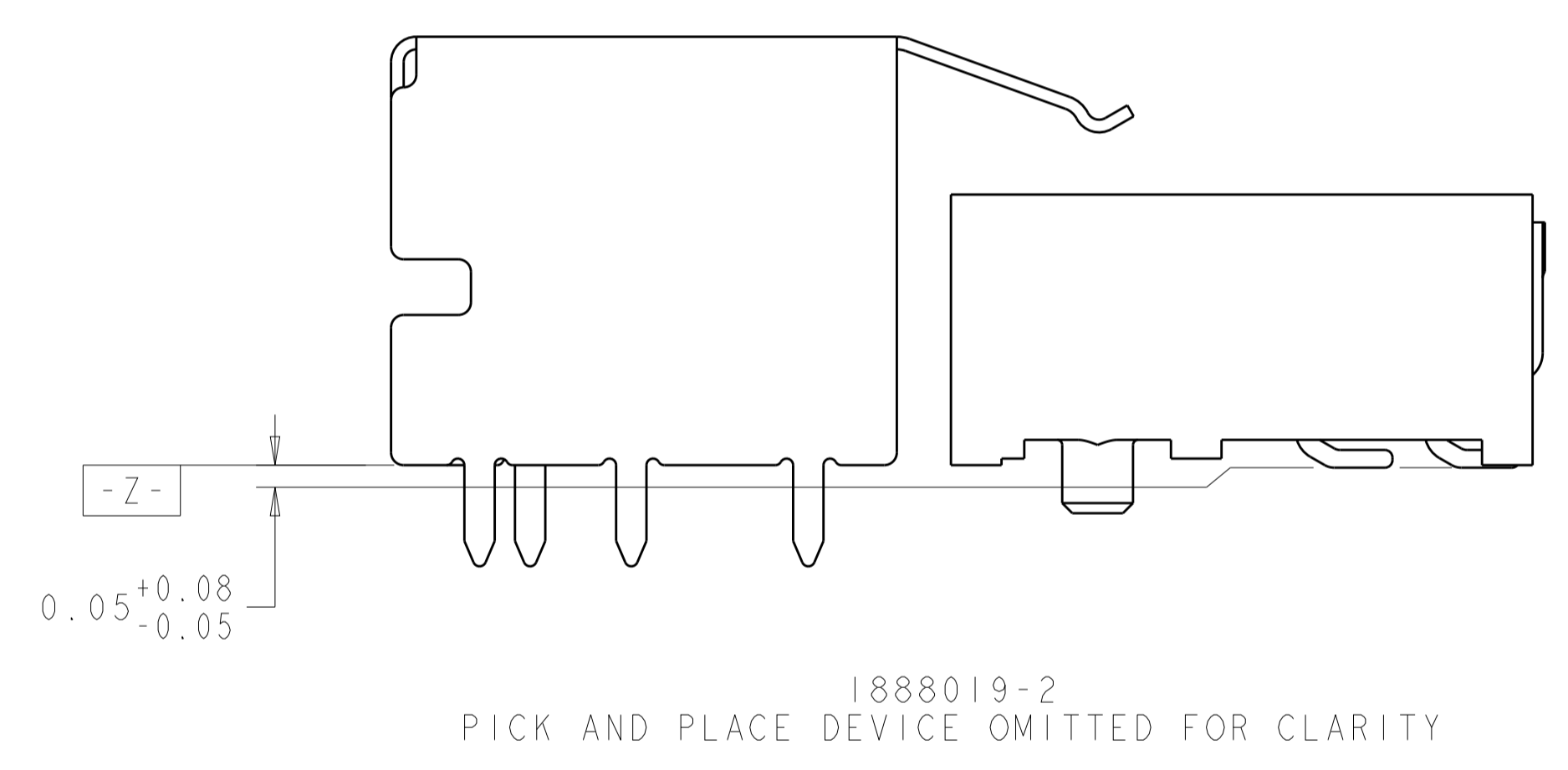
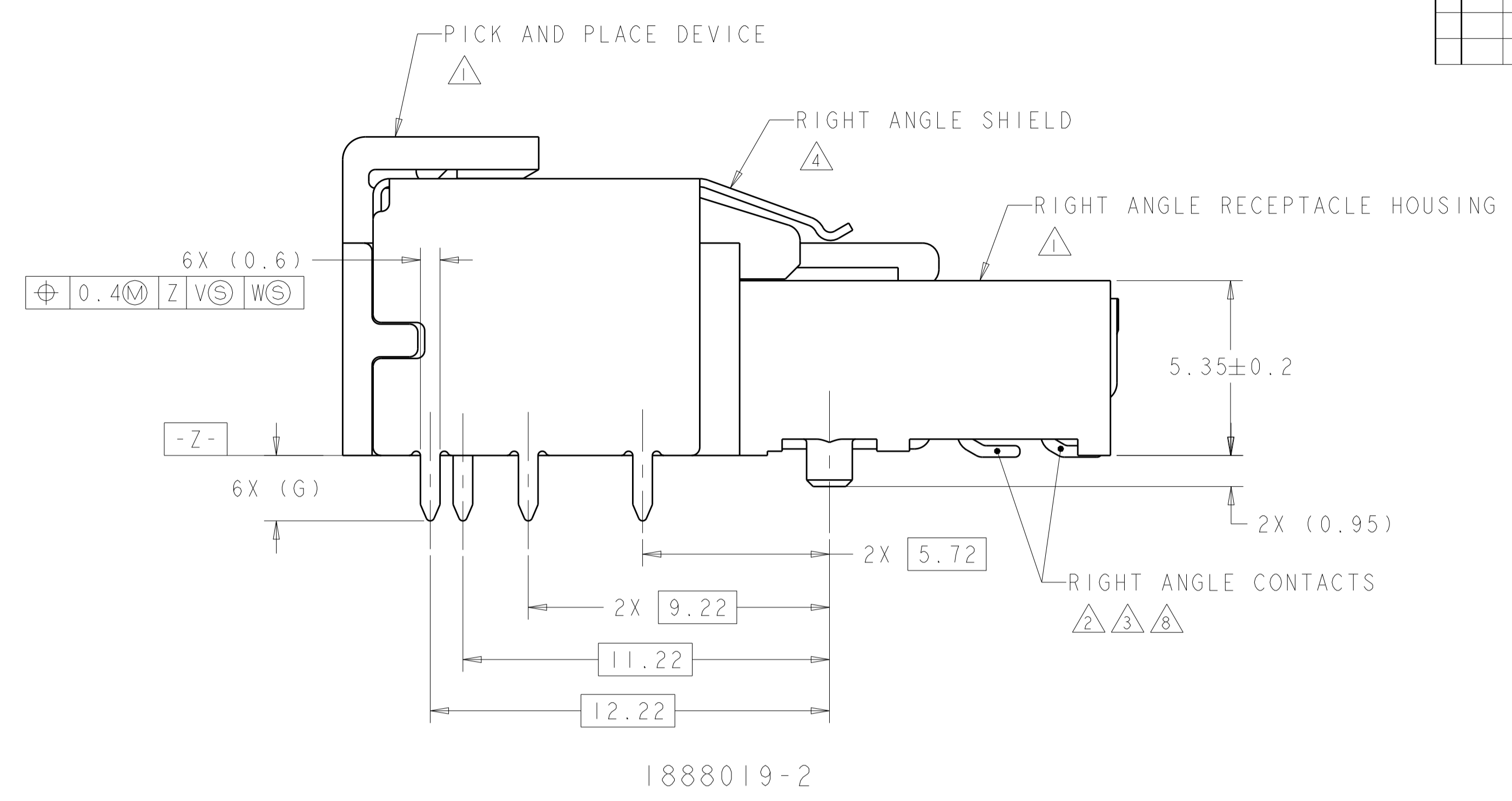
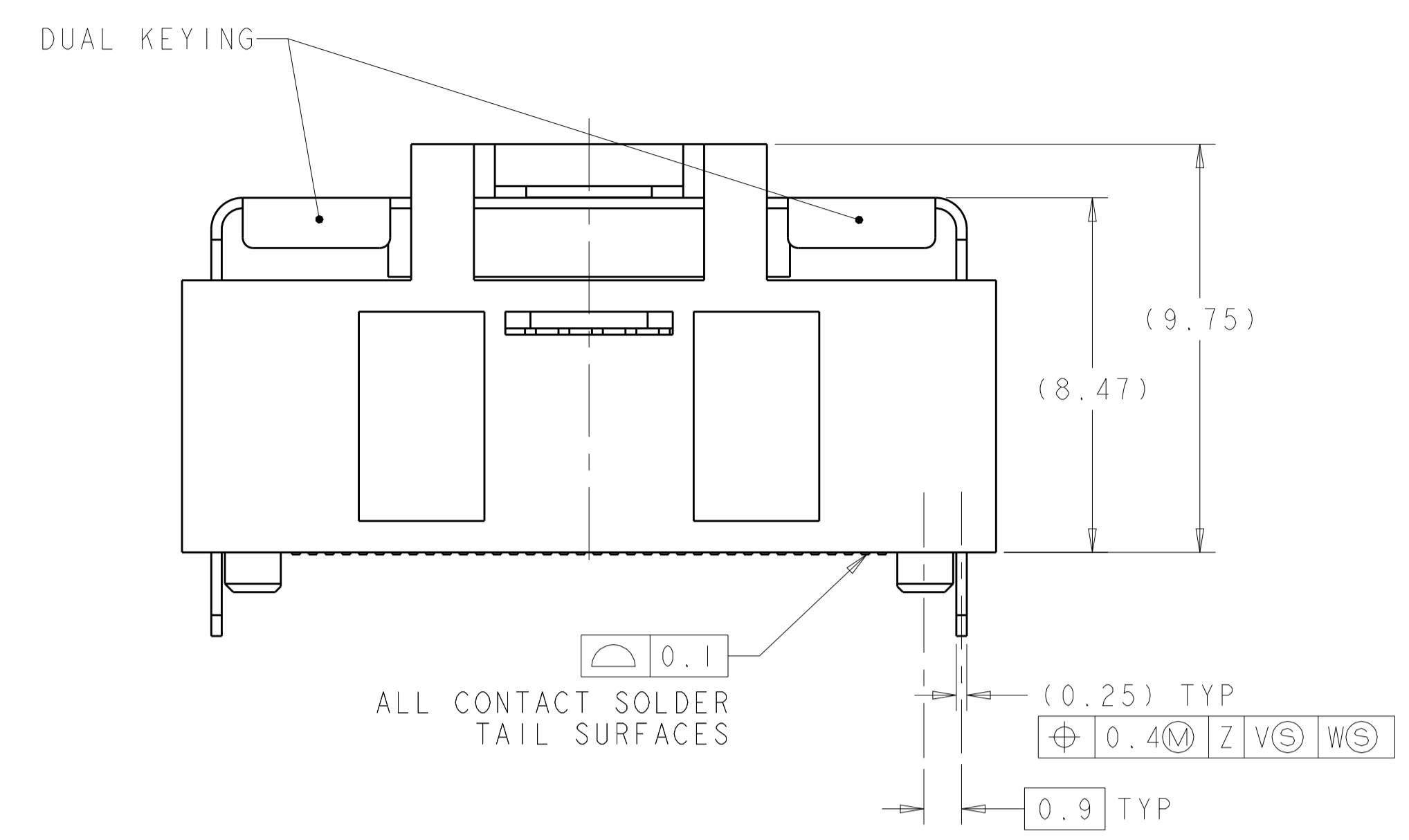
NAME EVERCLEAR Mini-SAS RIGHT ANGLE INTERNAL RECEPTACLE ASSEMBLY WITH DUAL KEYED SHELL

PRODUCT SPEC 108-2234  
 APPLICATION SPEC

SIZE A1 CAGE CODE 00779 DRAWING NO. 1888019  
 WEIGHT CUSTOMER DRAWING

SCALE 8:1 SHEET 1 OF 4 REV B4

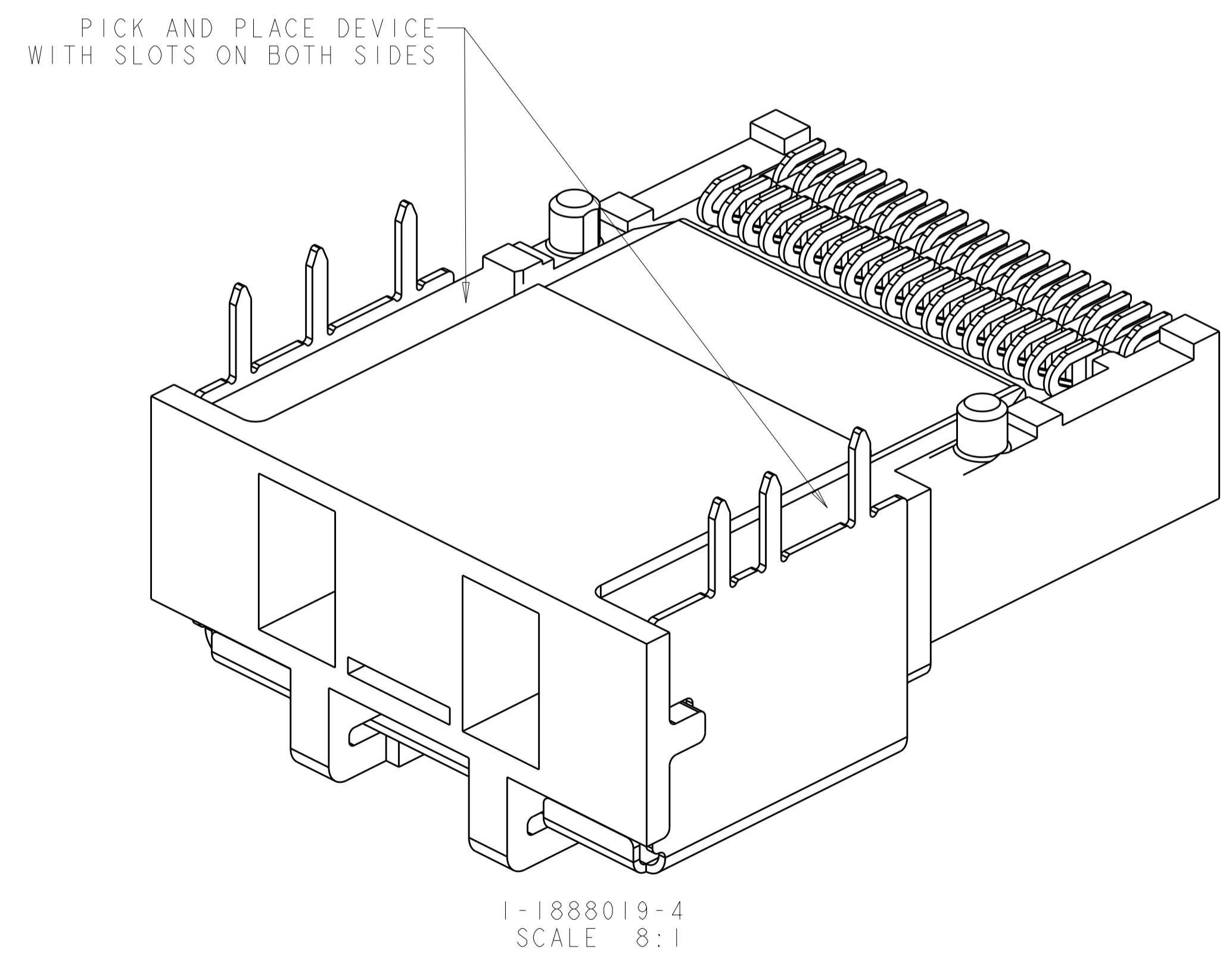
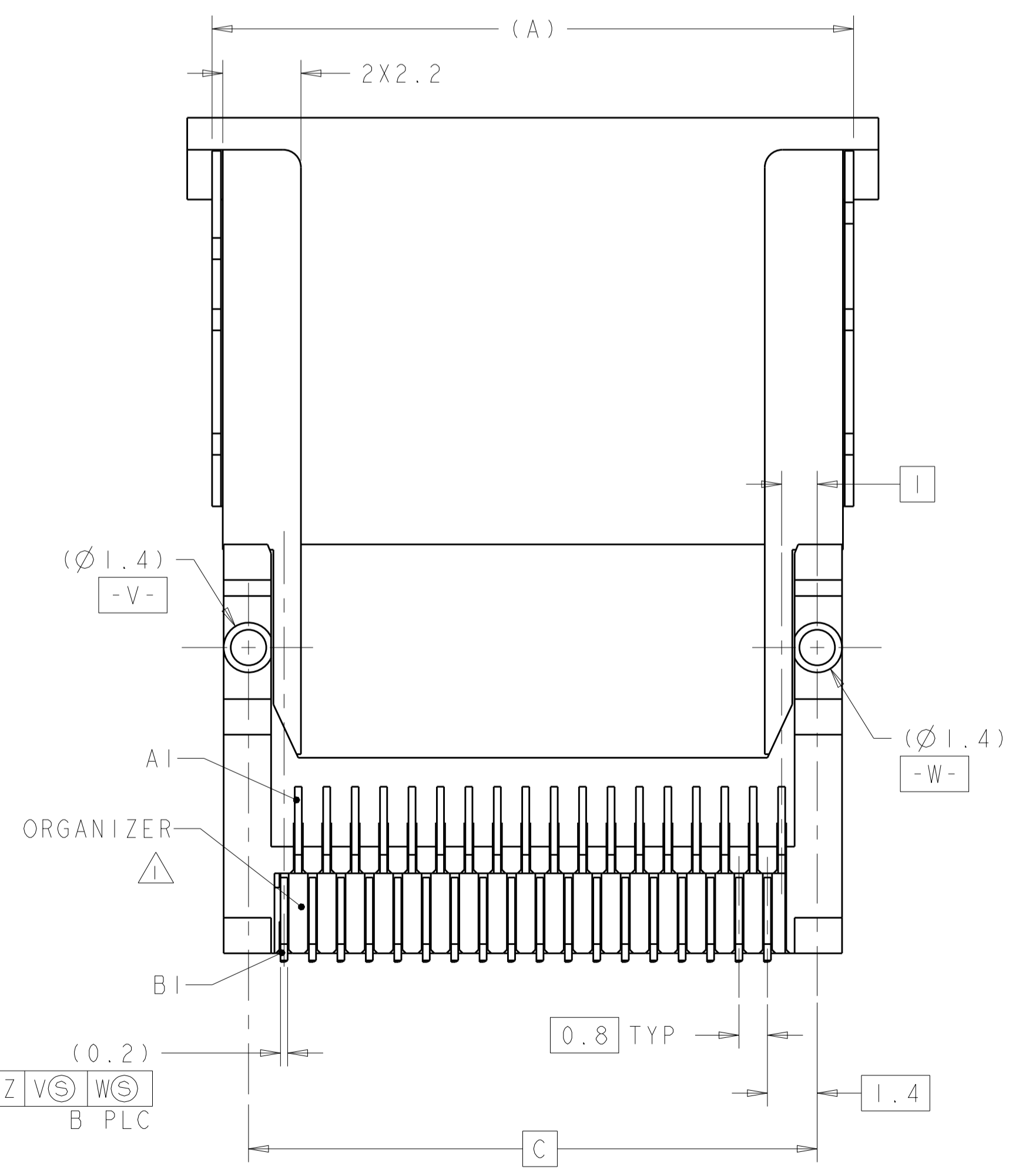
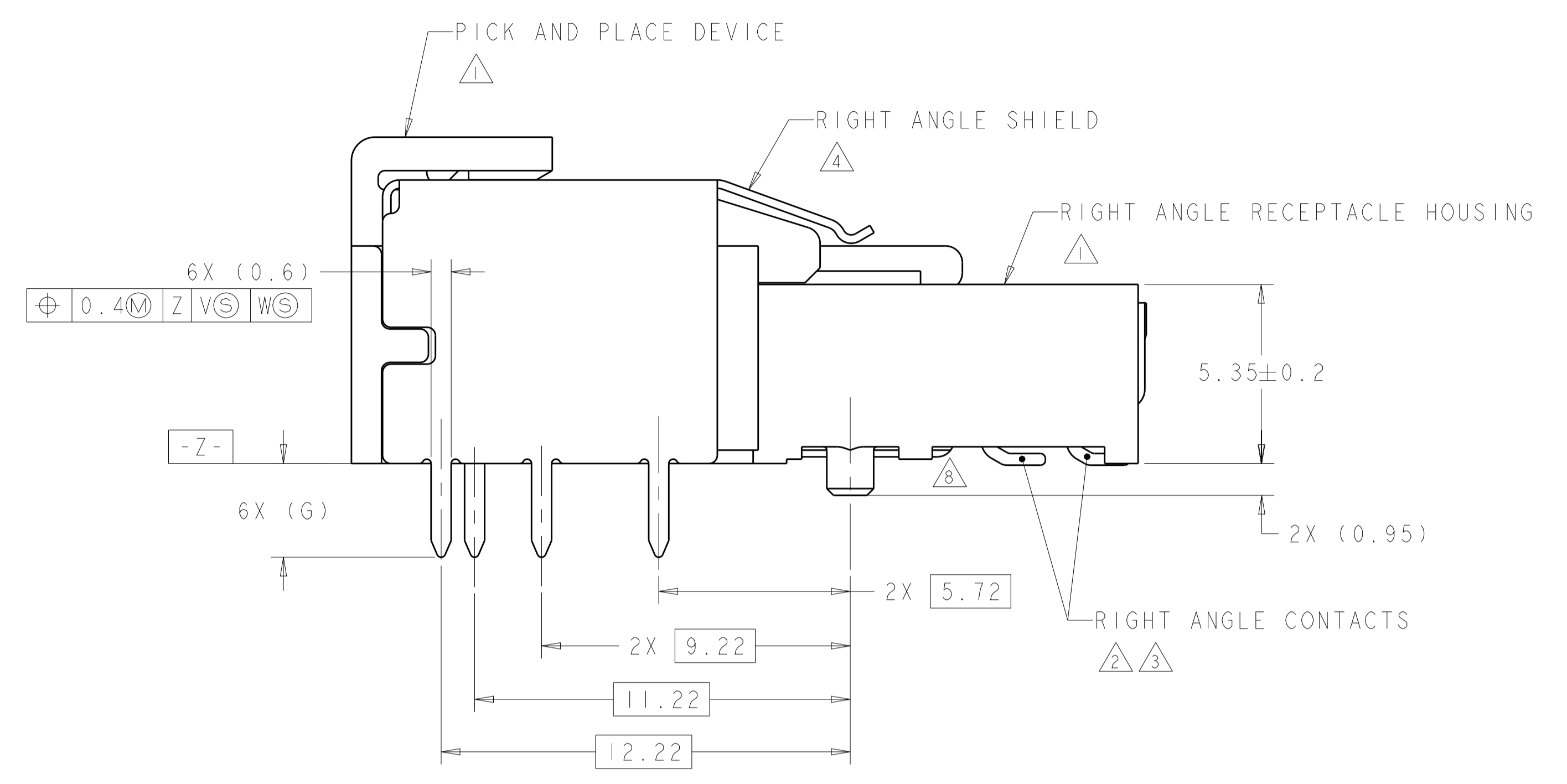
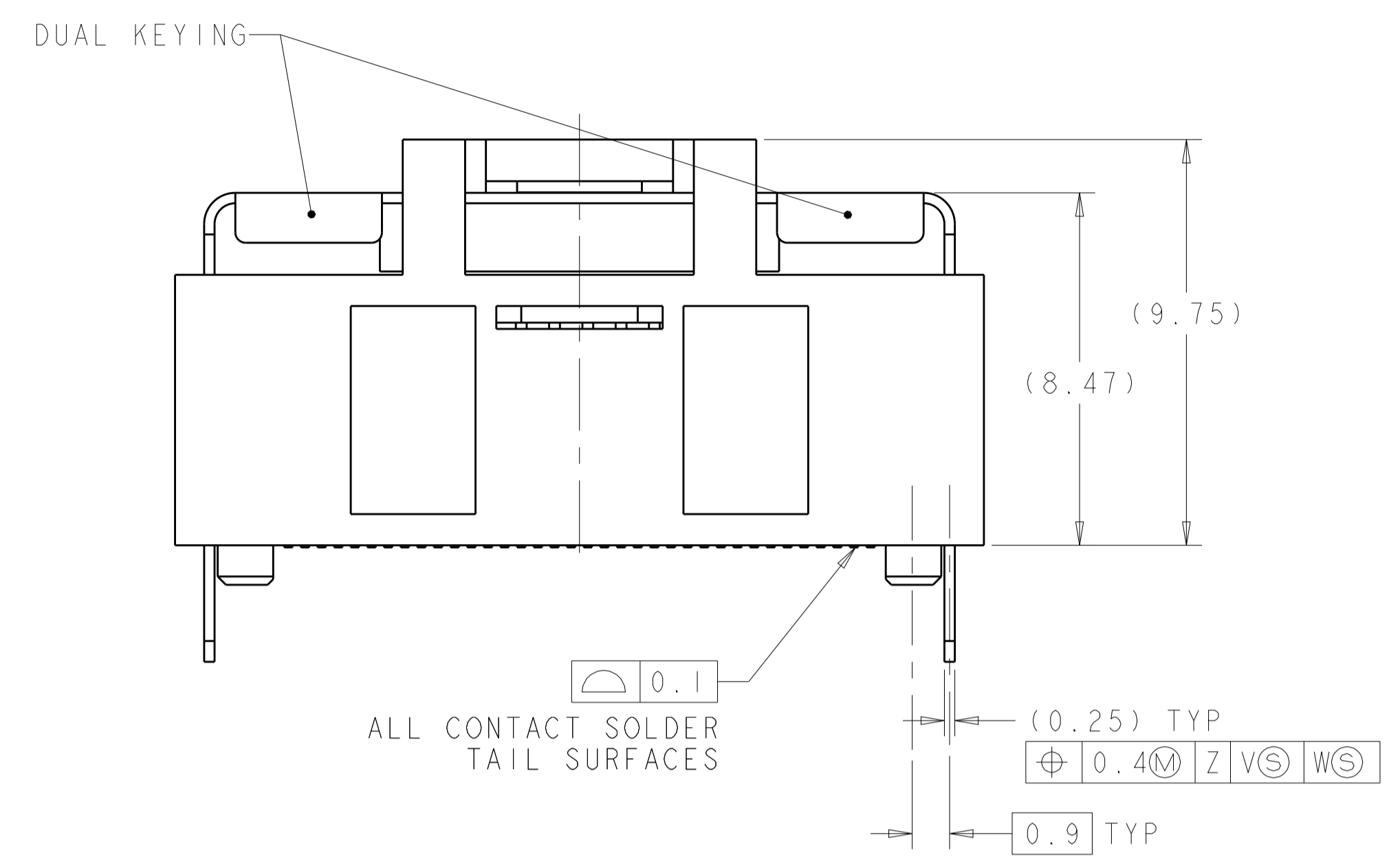
LOC		DIST		REVISONS			
GP	00	P	LTN	DESCRIPTION	DATE	DMN	APVD
		-		SEE SHEET 1			



THIS DRAWING IS A CONTROLLED DOCUMENT.		DMN M.E. CONNER 18JUL2005	TE Connectivity
DIMENSIONS: mm		CHK R.R. HENRY 18JUL2005	
TOLERANCES UNLESS OTHERWISE SPECIFIED:		APVD R.R. HENRY 18JUL2005	NAME
0 PLC ±	1 PLC ±	PRODUCT SPEC	EVERCLEAR Mini-SAS RIGHT ANGLE INTERNAL RECEPTACLE ASSEMBLY WITH DUAL KEYED SHELL
2 PLC ±	3 PLC ±	APPLICATION SPEC	SIZE CAGE CODE DRAWING NO RESTRICTED TO
4 PLC ±	ANGLES ±	WEIGHT	A100779C=1888019
MATERIAL SEE NOTES	FINISH SEE TABLE	CUSTOMER DRAWING	SCALE 8:1 SHEET 2 OF 4 REV B4

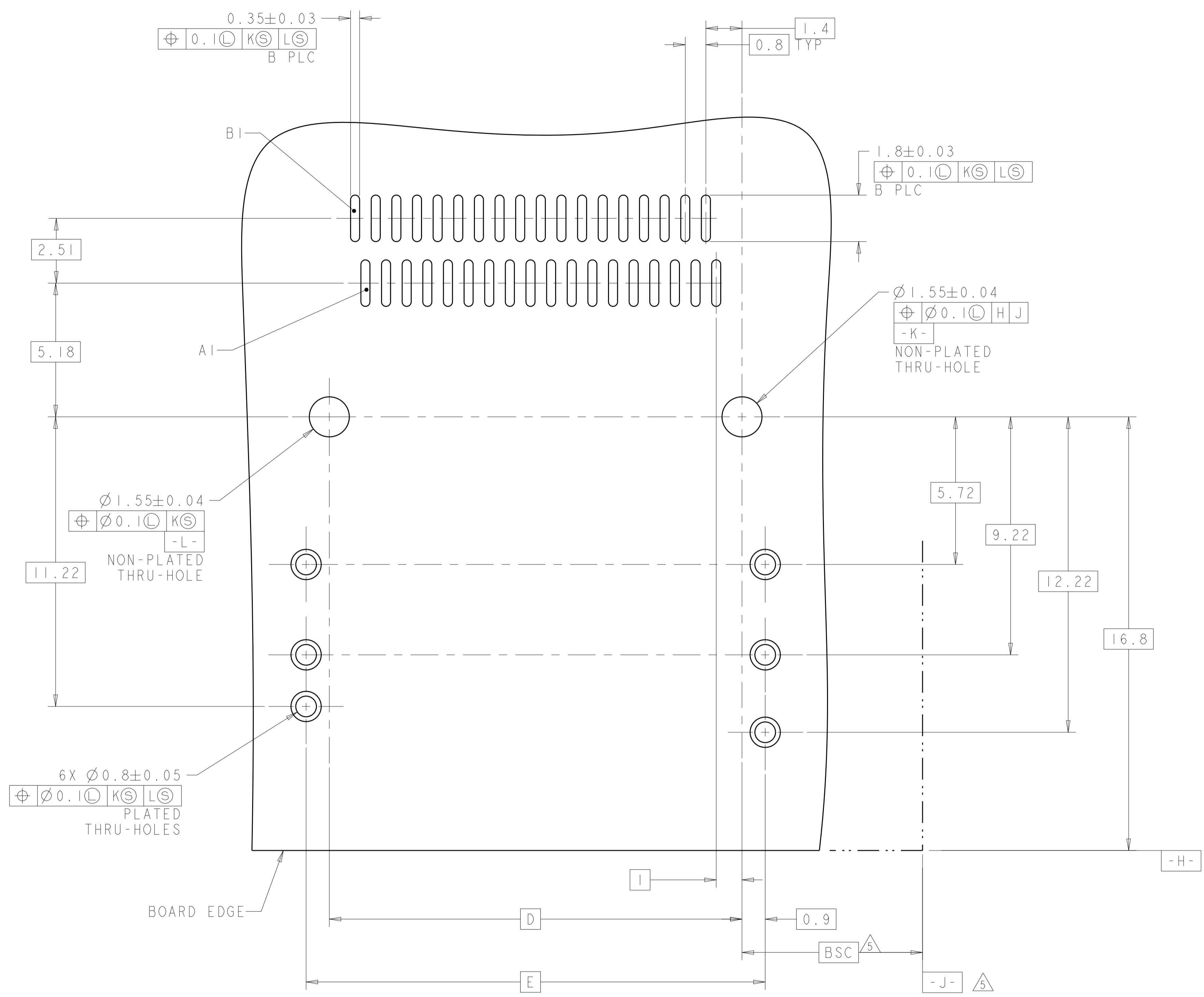
LOC		DIST		REVISIONS			
GP	00	P	LTN	DESCRIPTION	DATE	DMN	APVD
		-		SEE SHEET 1			

1-1888019-4 AS SHOWN



THIS DRAWING IS A CONTROLLED DOCUMENT.		DMN: M. E. CONNER 18JUL2005	TE Connectivity NAME: EVERCLEAR Mini-SAS RIGHT ANGLE INTERNAL RECEPTACLE ASSEMBLY WITH DUAL KEYED SHELL PRODUCT SPEC: 108-2234 APPLICATION SPEC:
DIMENSIONS: mm		CHK: R. R. HENRY 18JUL2005	
TOLERANCES UNLESS OTHERWISE SPECIFIED:		APVD: R. R. HENRY 18JUL2005	
0 PLC ± 1 PLC ± 2 PLC ± 3 PLC ± 4 PLC ± ANGLES ±		RESTRICTED TO:	
MATERIAL: SEE NOTES		FINISH: SEE TABLE	SIZE: A1 CAGE CODE: 00779 DRAWING NO: C=1888019 WEIGHT: - CUSTOMER DRAWING:
SCALE: 8:1			SHEET: 3 OF 4 REV: B4

LOC	DIST	REVISIONS					
		P.	LTH	DESCRIPTION	DATE	OWN	APVD
GP	00	-	-	SEE SHEET 1	-	-	-



RECOMMENDED PCB LAYOUT  
 SCALE 10:1

THIS DRAWING IS A CONTROLLED DOCUMENT.		OWN: M. E. CONNER 18JUL2005	TE Connectivity
DIMENSIONS: mm		CHK: R. R. HENRY 18JUL2005	
TOLERANCES UNLESS OTHERWISE SPECIFIED:		APVD: R. R. HENRY 18JUL2005	
0 PLC ± 2 PLC ± 3 PLC ± 4 PLC ± ANGLES ±		NAME: EVERCLEAR Mini-SAS RIGHT ANGLE INTERNAL RECEPTACLE ASSEMBLY WITH DUAL KEYED SHELL	
MATERIAL: SEE NOTES		FINISH: SEE TABLE	RESTRICTED TO:
CUSTOMER DRAWING		SCALE: 8:1	SHEET 4 OF 4 REV B4

## X-ON Electronics

Largest Supplier of Electrical and Electronic Components

*Click to view similar products for [I/O Connectors](#) category:*

*Click to view products by [TE Connectivity](#) manufacturer:*

Other Similar products are found below :

[571763P](#) [58098-0628](#) [D20419-211](#) [D38999/20FJ24PA L/C](#) [D38999/20FJ29SB L/C](#) [D38999/24FG11SN L/C](#) [72.250.1628.2](#) [72.250.2428.2](#)  
[74720-0505](#) [76.350.0729.0](#) [76871-1403](#) [FCN-244F080-G/1](#) [FCN-260A9920](#) [FCN-268D024-G/2F#10X-R10](#) [PCS-E50FA](#) [PCS-XE26LKA](#)  
[PCS-XE26MA+](#) [PCS-XES68MS+](#) [G38A71314B](#) [DX40-50P\(55\)](#) [1571250010](#) [157-22500-3](#) [MS3471L14-19P L/C](#) [1888020-8](#) [91-569786-](#)  
[35H](#) [91-569786-35M](#) [91-644626-35P](#) [SM3100F14S-58S](#) [172501-4002](#) [172501-6002](#) [FCN-260C008-A/L0](#) [FCN-260C024-AL0](#) [FCN-](#)  
[261Z008](#) [FCN-268D008-G/1K](#) [2000314-1](#) [200331-1](#) [2007498-2](#) [PCR-E28LMDAG1+](#) [PCR-E36FC+](#) [PCS-E28FS+](#) [PCS-XE26SLFD+](#) [PCS-](#)  
[XE26SLFDT+](#) [G38A71214B](#) [HDRA-E68W1LFDTC-SL+](#) [HDR-E14MSG1+](#) [R88A-CNK81S](#) [CRT1-ATT02](#) [54182-0605](#) [U90B2054081210](#)  
[UE86K842720321](#)