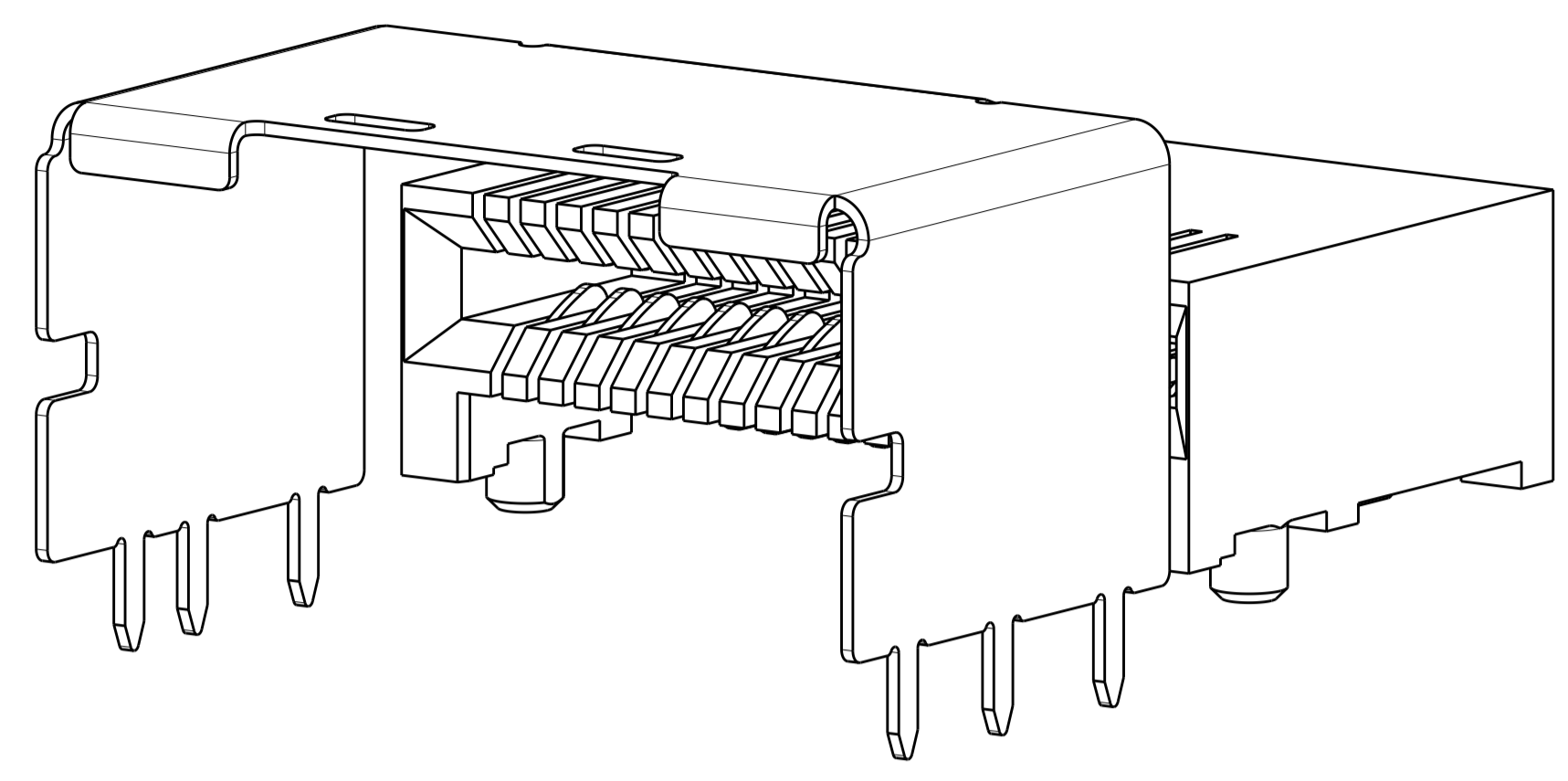
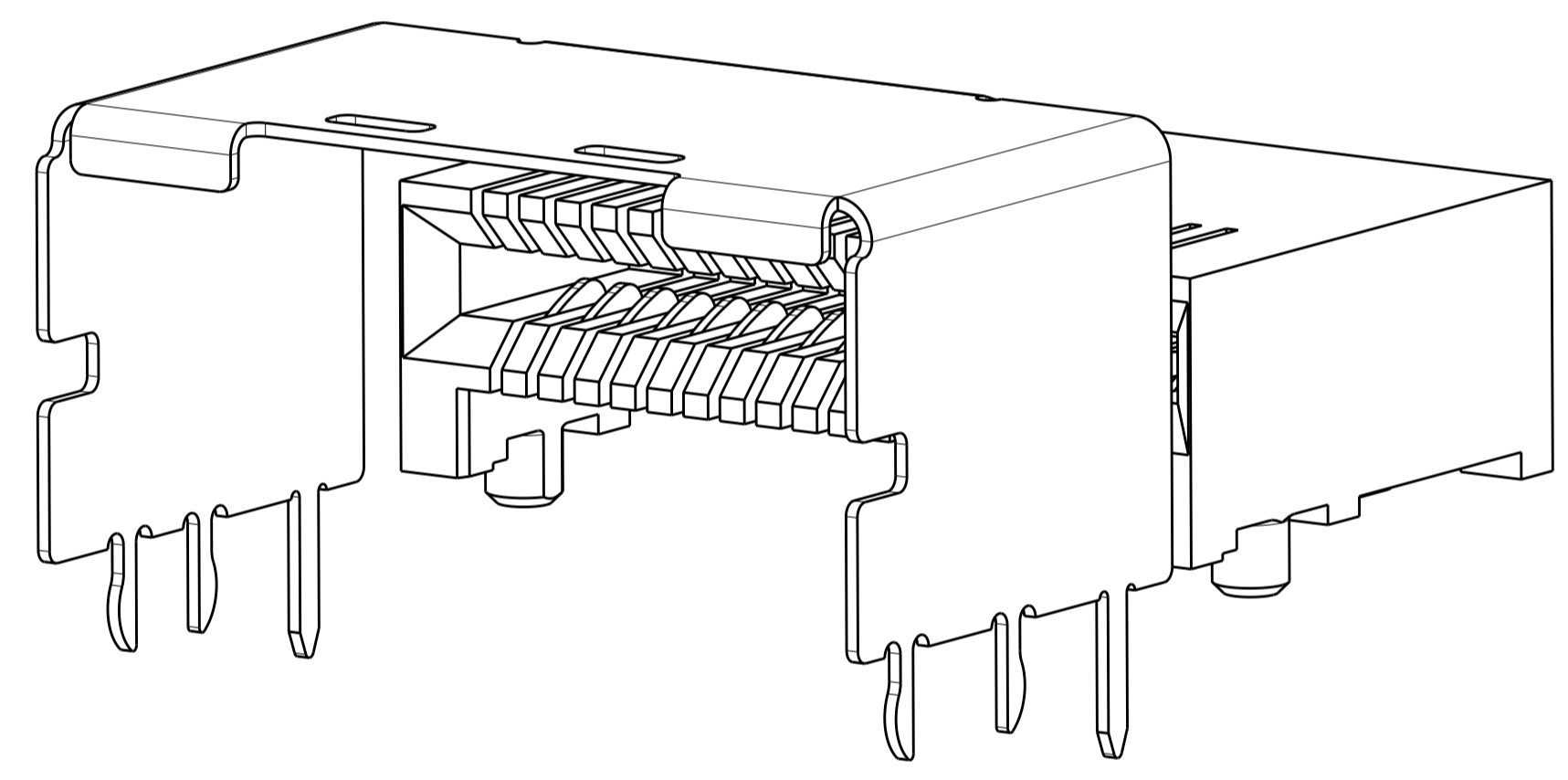


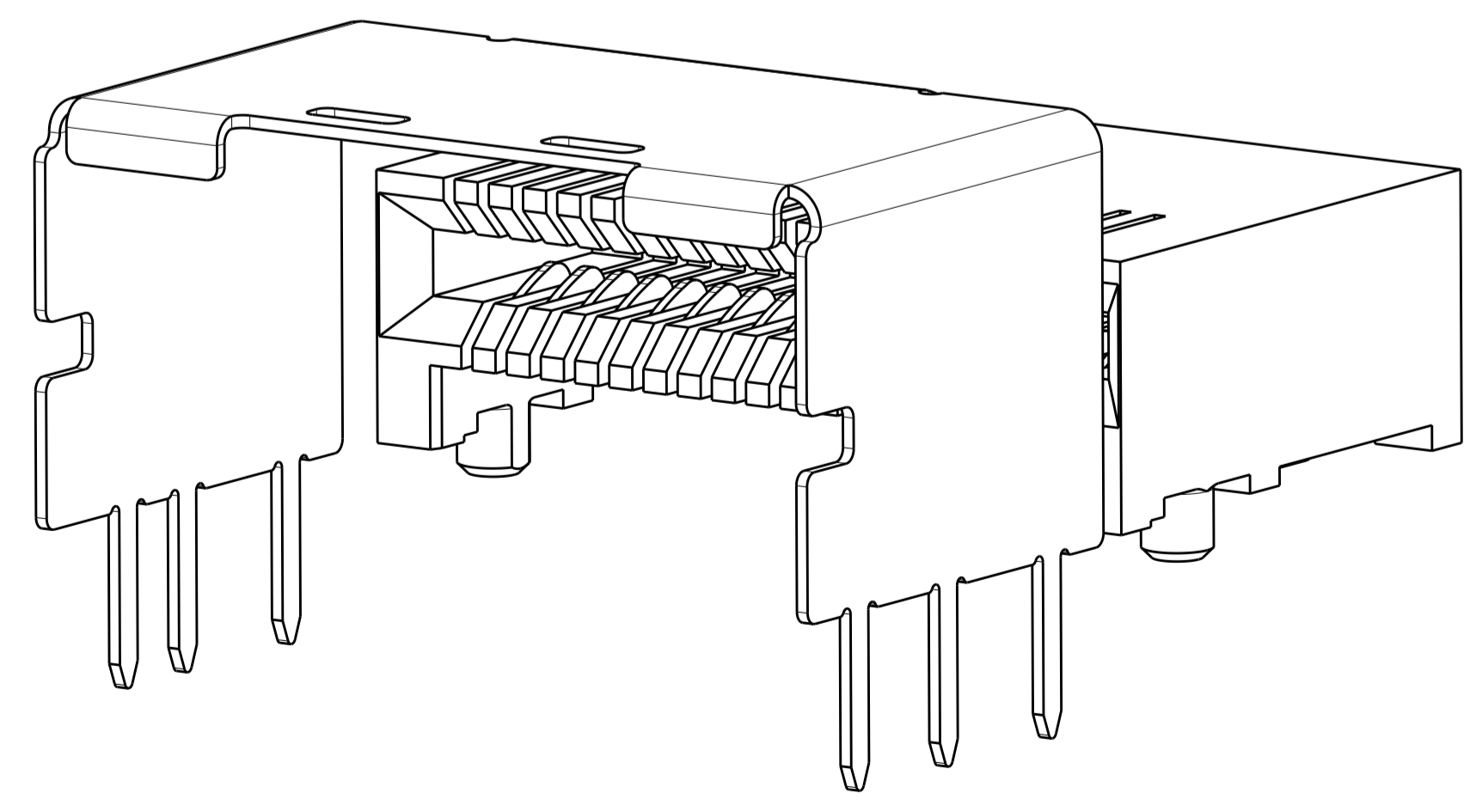
LOC		DIST		REVISONS			
P	LTN	DESCRIPTION	DATE	DWN	APVD		
B2		REVISED PER ECO-11-004835	11MAR2011	RK	HMR		
B3		REVISED PER ECO-19-002570	26DEC2018	JY	SH		
B4		REVISED PER ECO-20-004397	26MAR2020	TX	DZ		



1888019-2
 SHOWN WITHOUT PICK AND PLACE DEVICE
 SCALE 8:1

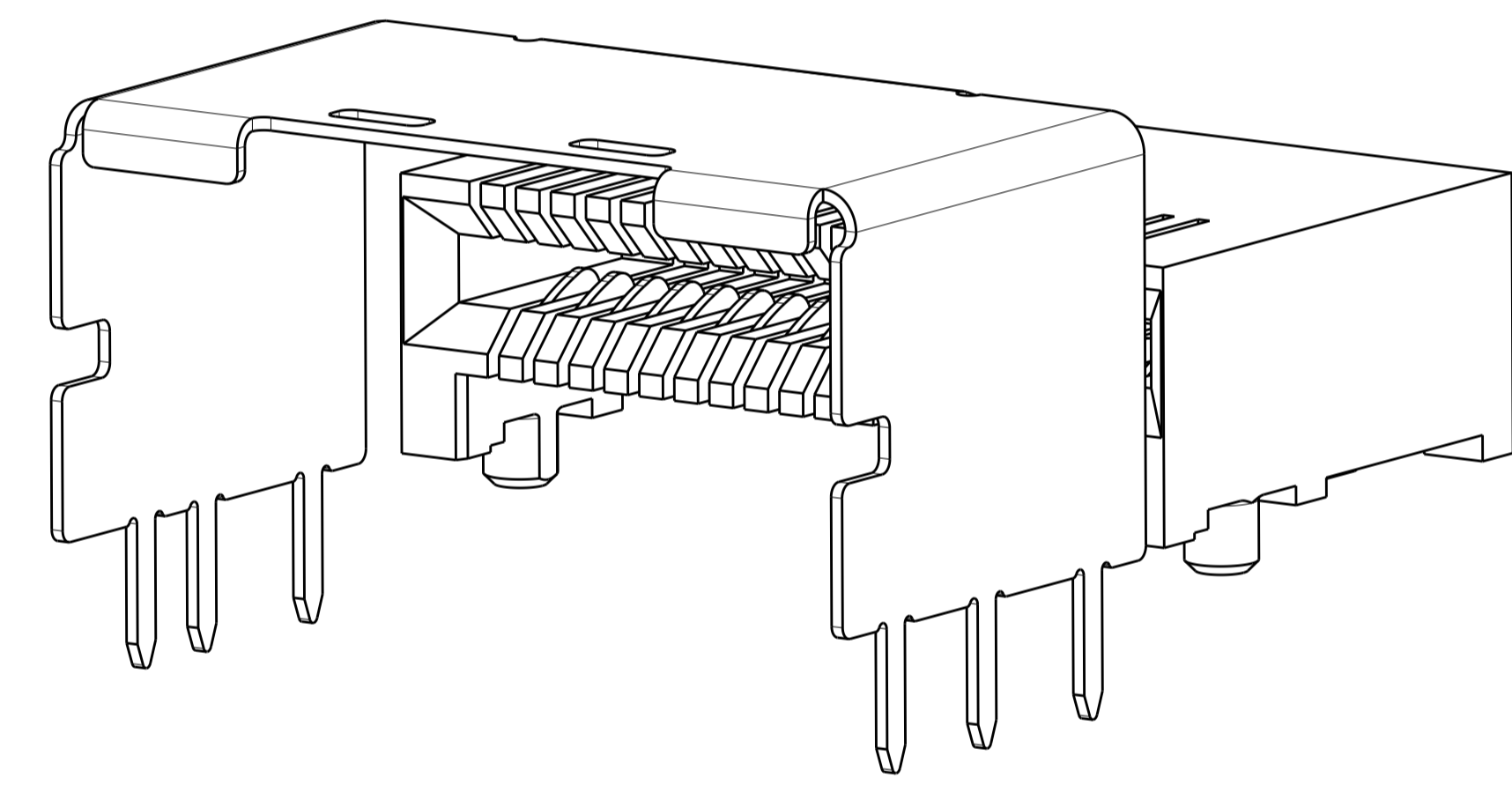


1888019-4
 SHOWN WITHOUT PICK AND PLACE DEVICE
 SCALE 8:1



1888019-8
 SHOWN WITHOUT PICK AND PLACE DEVICE
 SCALE 8:1

- 1 MATERIAL: LCP, BLACK, UL94 V0.
- 2 MATERIAL: PHOSPHOR BRONZE PER ASTM B 103.
- 3 FINISH: 0.76µm MIN GOLD PLATE PER ASTM B 488, APPLIES TO INTERFACE AREA AND 2.03µm MIN TIN PLATE SOLDER TAILS, ALL OVER 3.81µm MIN NICKEL PLATE PER QQ-N-290.
- 4 MATERIAL: NICKEL-SILVER PER ASTM B 122.
- 5 DATUM AND BASIC DIMENSION ESTABLISHED BY CUSTOMER.
- 6. REFER TO CUSTOMER DRAWING 1761987 FOR CONNECTOR DETAILS.
- 7. PACKAGED IN TAPE AND REEL PER EIA-481.
- 8 FINISH: 0.38µm MIN GOLD PLATE PER ASTM B 488, APPLIES TO INTERFACE AREA AND 2.03µm MIN TIN PLATE SOLDER TAILS, ALL OVER 3.81µm MIN NICKEL PLATE PER QQ-N-290.
- 9 CUSTOMIZED PACKAGE SPEC FOR 1-1888019-3 AND 1-1888019-4



1888019-6, 1-1888019-3 AND 1-1888019-4
 SHOWN WITHOUT PICK AND PLACE DEVICE
 SCALE 8:1

8	THRU HOLE	3.5	17.8	16	16	36	18.05	36	1-1888019-2
	THRU HOLE	2.8	17.8	16	16	36	18.05	36	1-1888019-1
	PRESS FIT	-	17.8	16	16	36	18.05	36	1-1888019-0
3	THRU HOLE	2	17.8	16	16	36	18.05	36	1888019-9
	THRU HOLE	2.8	17.8	16	16	36	18.05	36	1-1888019-4 9
	THRU HOLE	2.8	17.8	16	16	36	18.05	36	1-1888019-3 9
	THRU HOLE	3.5	17.8	16	16	36	18.05	36	1888019-8
	THRU HOLE	2.8	17.8	16	16	36	18.05	36	1888019-6
	PRESS FIT	-	17.8	16	16	36	18.05	36	1888019-4
	THRU HOLE	2	17.8	16	16	36	18.05	36	1888019-2
FINISH	SHELL TYPE	G	E	D	C	B	A	POSN	PART NUMBER

THIS DRAWING IS A CONTROLLED DOCUMENT. DWN M.E. CONNER 18JUL2005
 CHK R.R. HENRY 18JUL2005
 APVD R.R. HENRY 18JUL2005

STE TE Connectivity

NAME EVERCLEAR Mini-SAS RIGHT ANGLE INTERNAL RECEPTACLE ASSEMBLY WITH DUAL KEYED SHELL

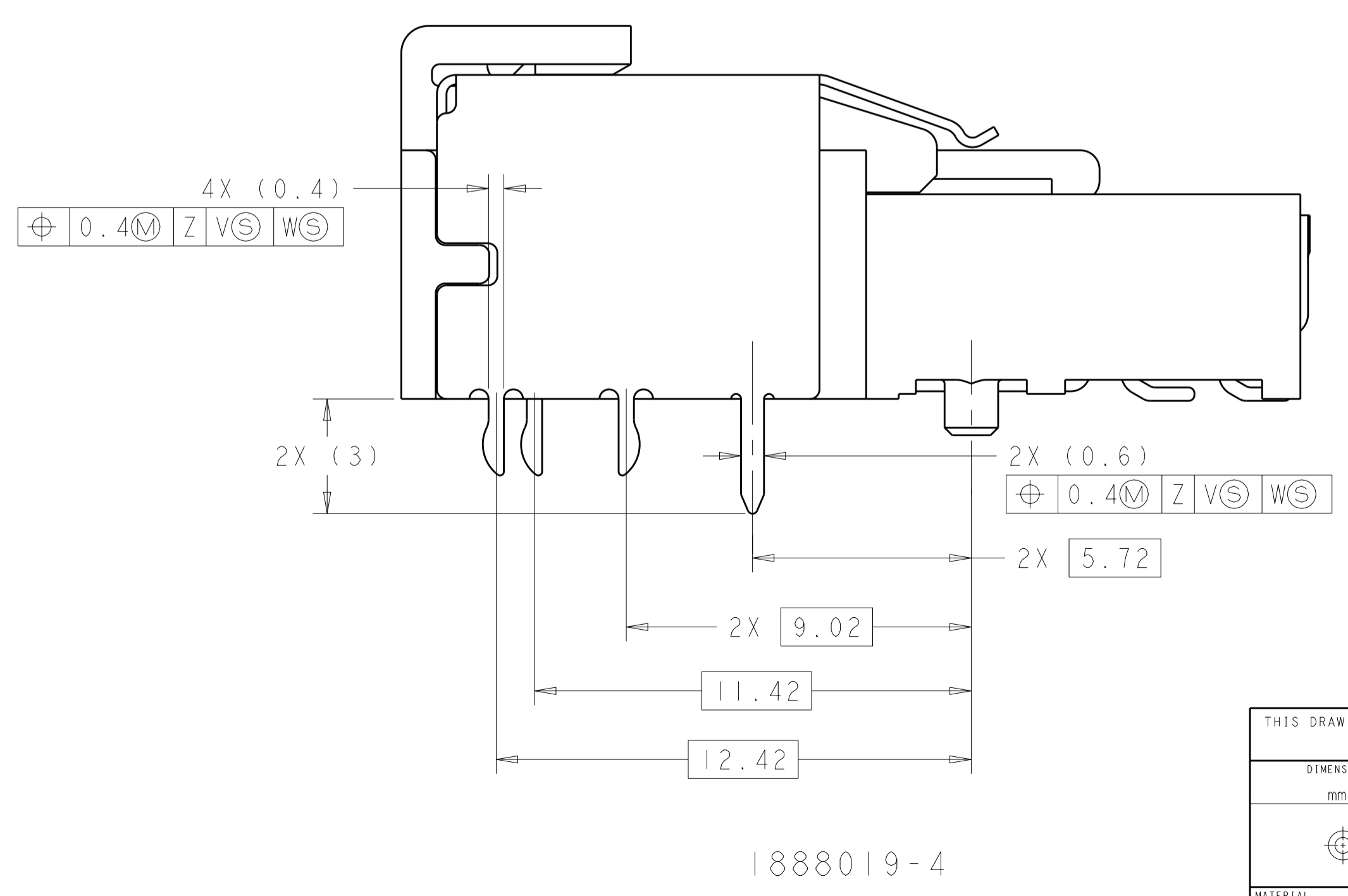
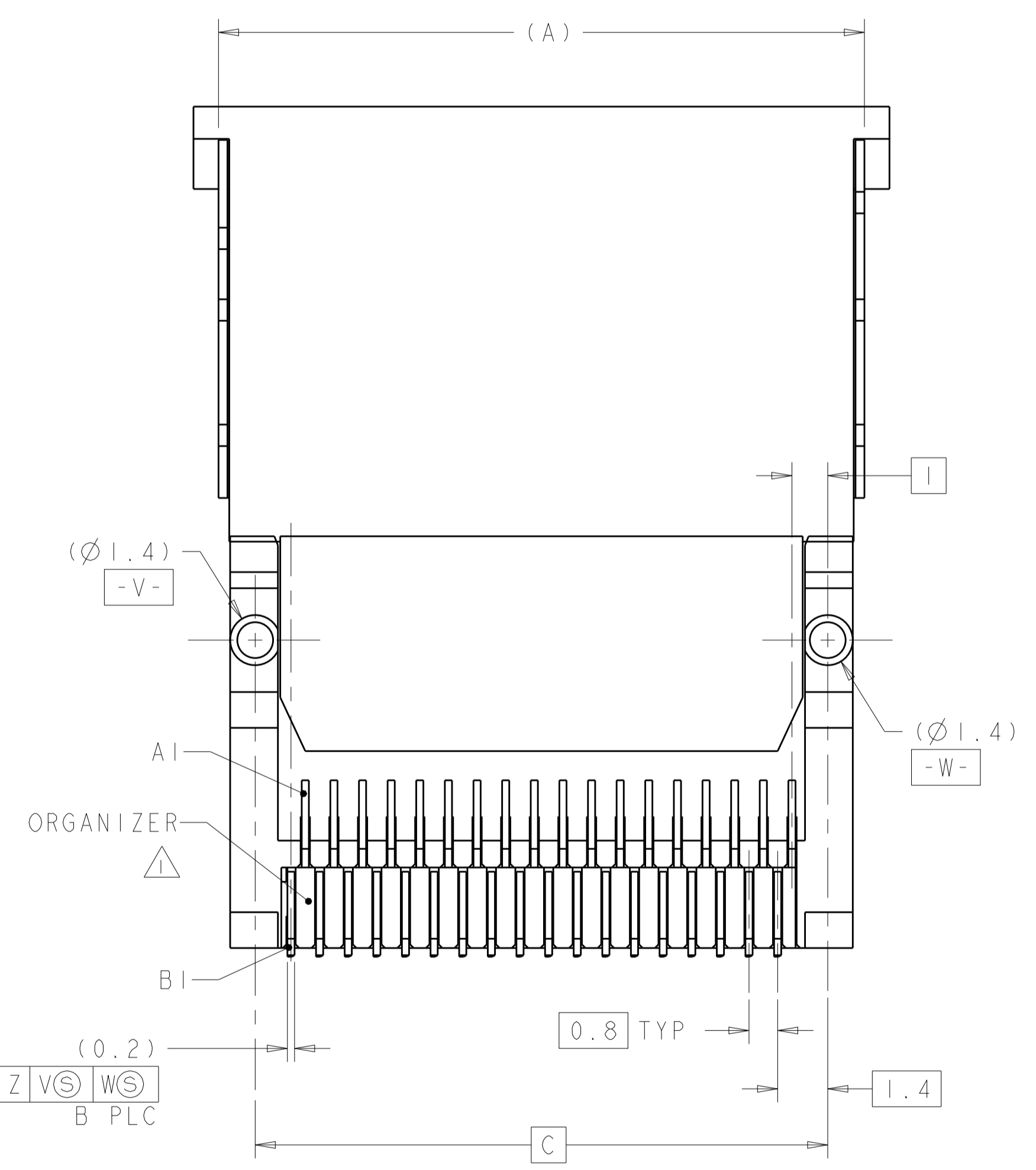
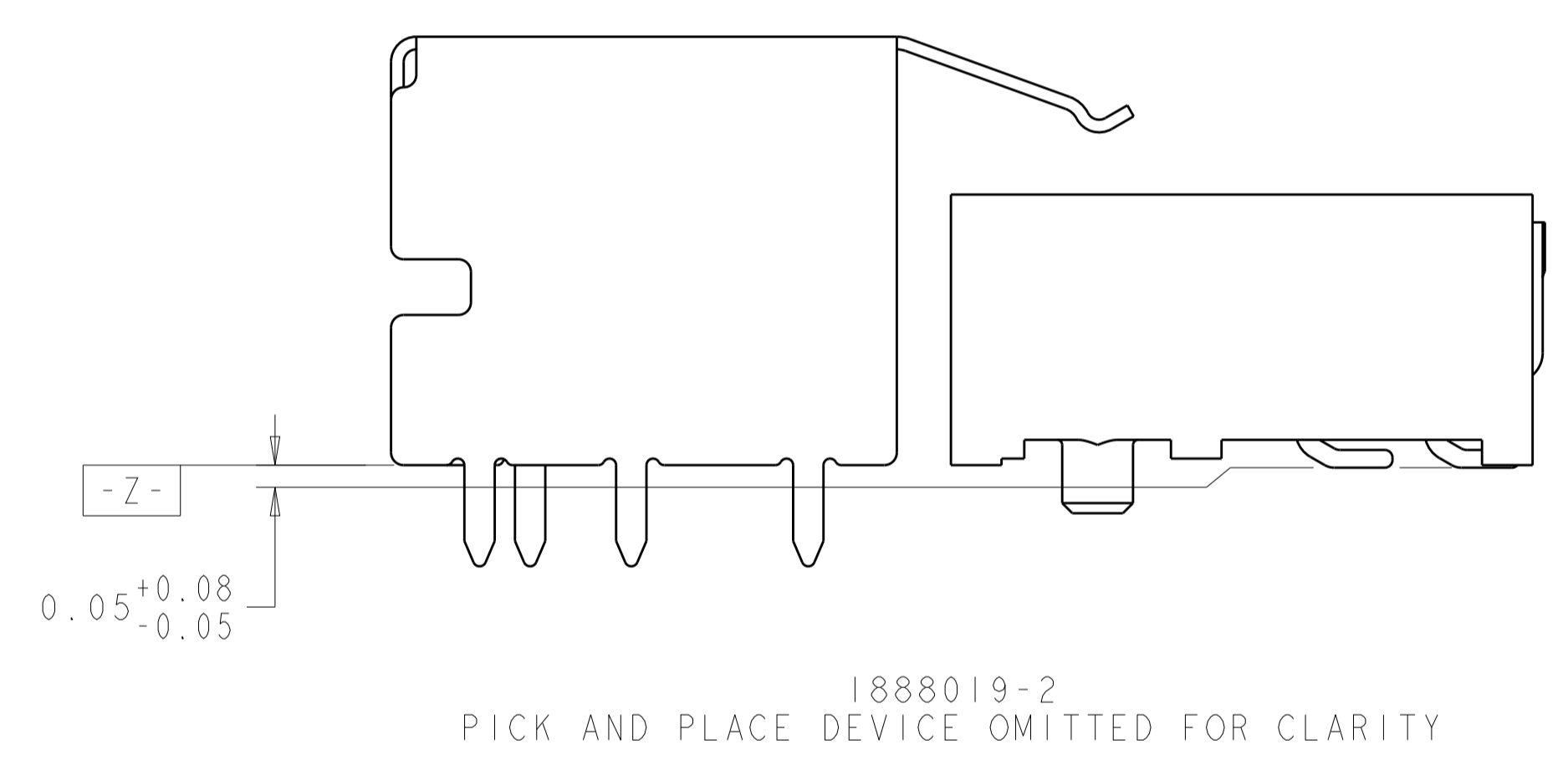
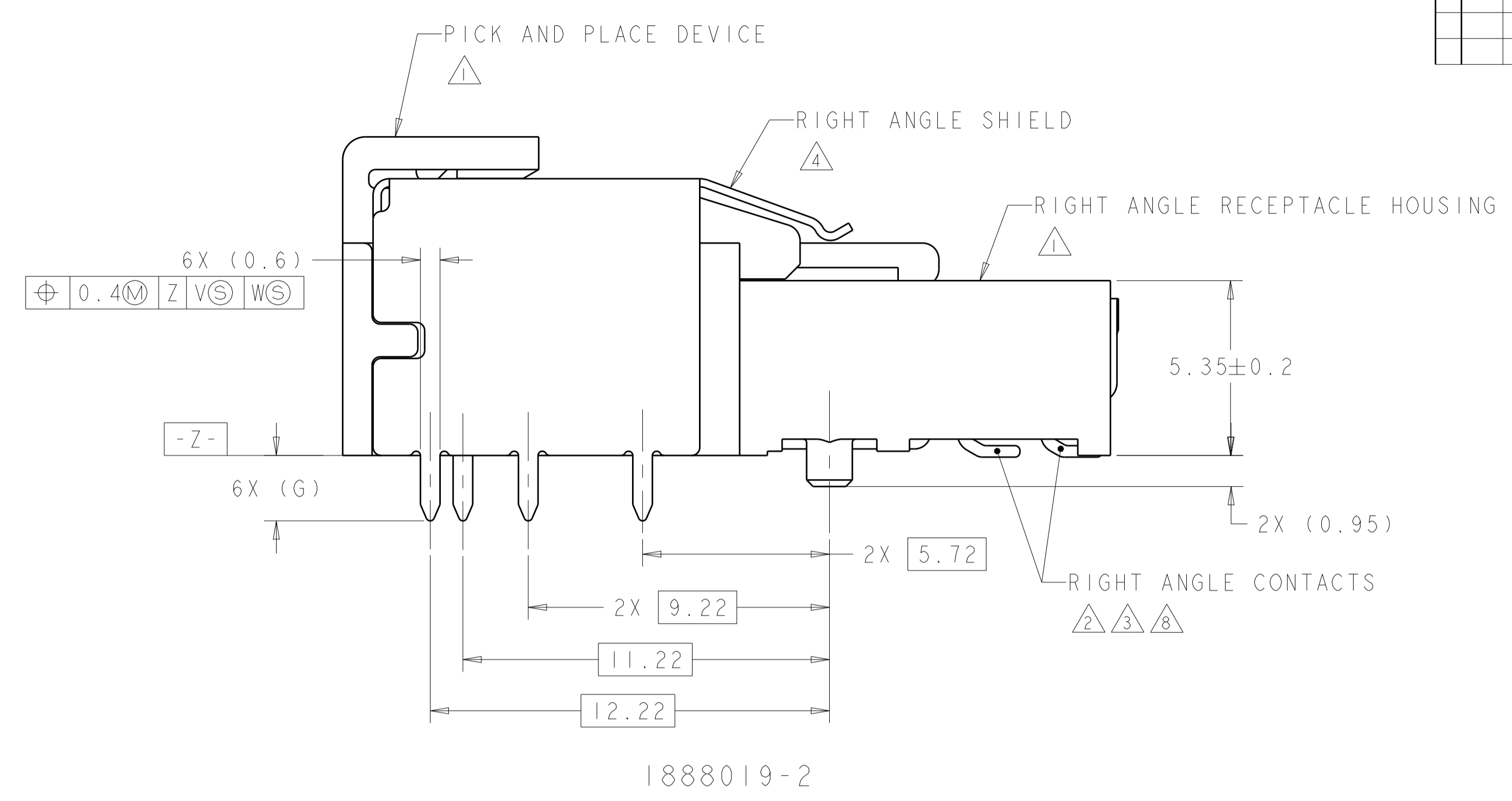
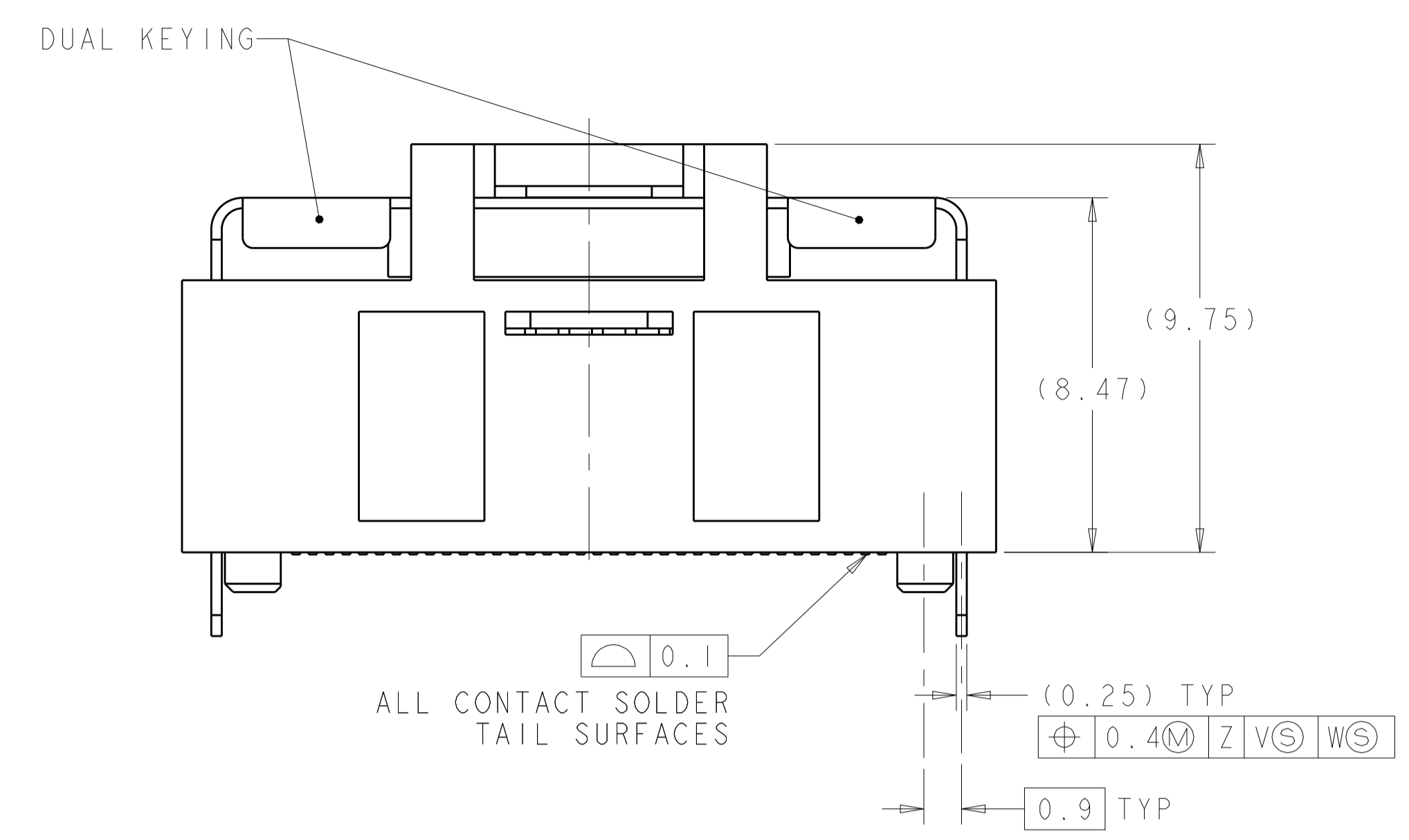
PRODUCT SPEC 108-2234
 APPLICATION SPEC

SIZE A1 CAGE CODE 00779 DRAWING NO. 1888019
 WEIGHT CUSTOMER DRAWING SCALE 8:1 SHEET 1 OF 4 REV B4

DIMENSIONS: mm
 TOLERANCES UNLESS OTHERWISE SPECIFIED:
 0 PLC ±
 1 PLC ±
 2 PLC ±
 3 PLC ±
 4 PLC ±
 ANGLES ±

MATERIAL SEE NOTES FINISH SEE TABLE

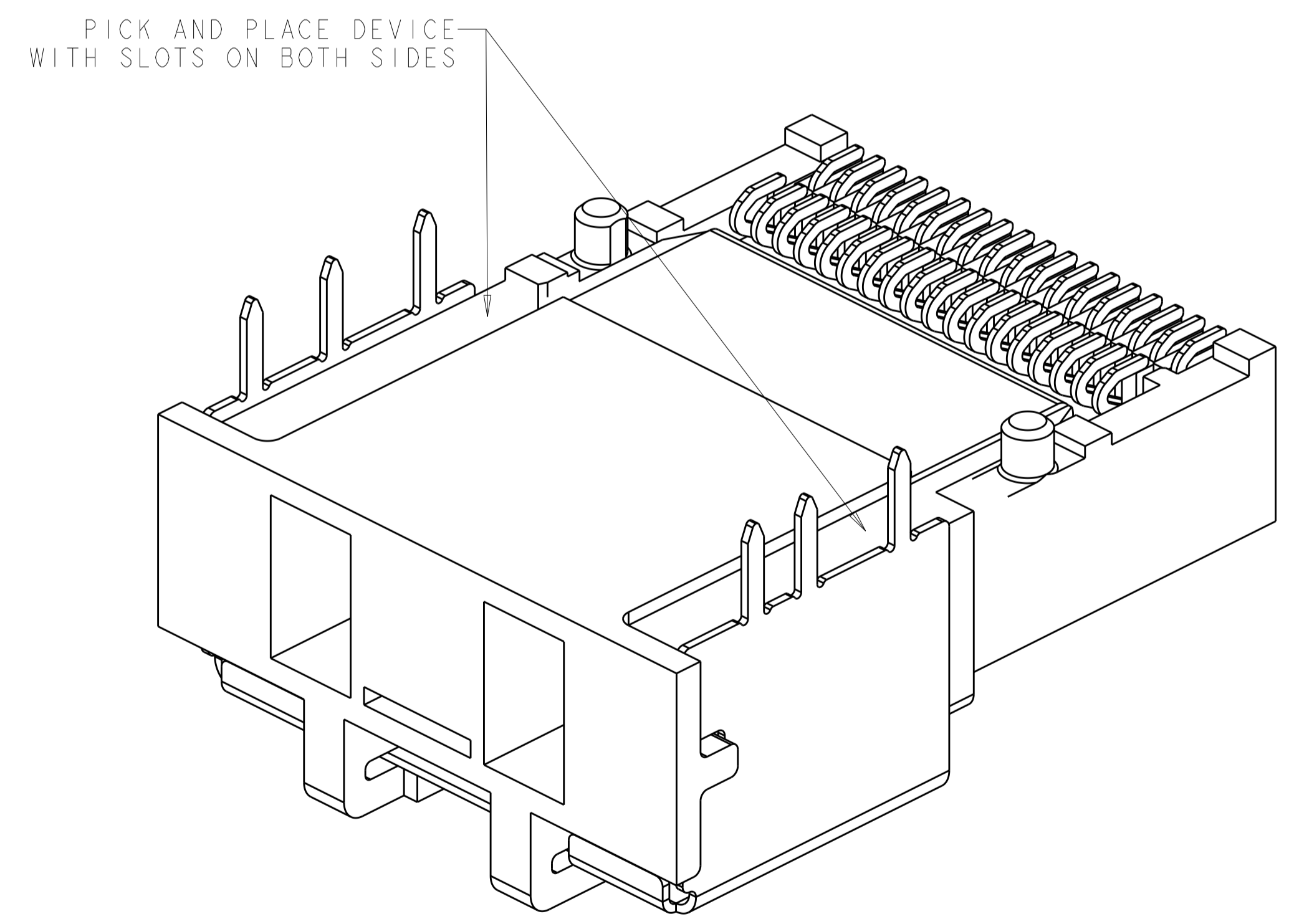
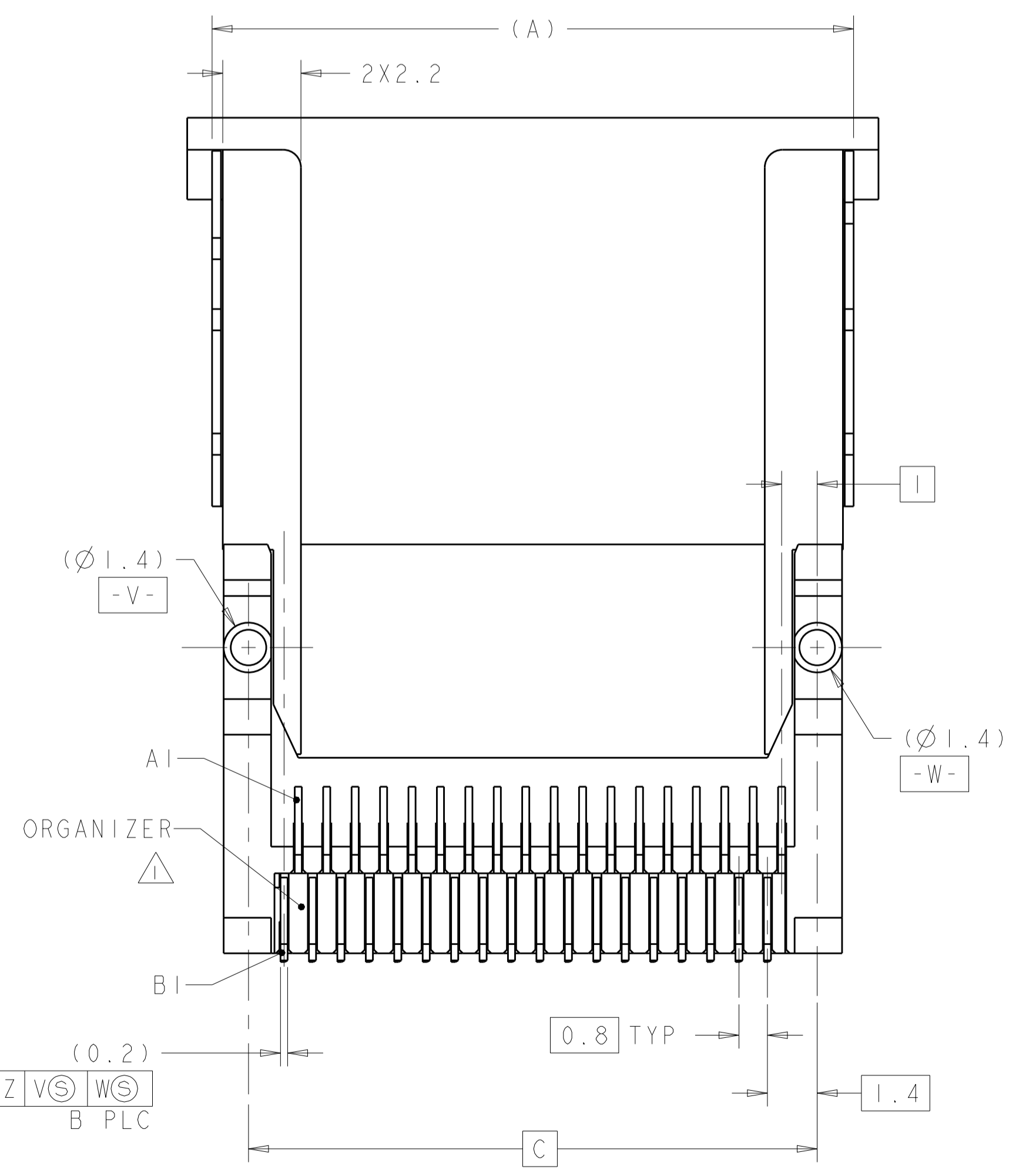
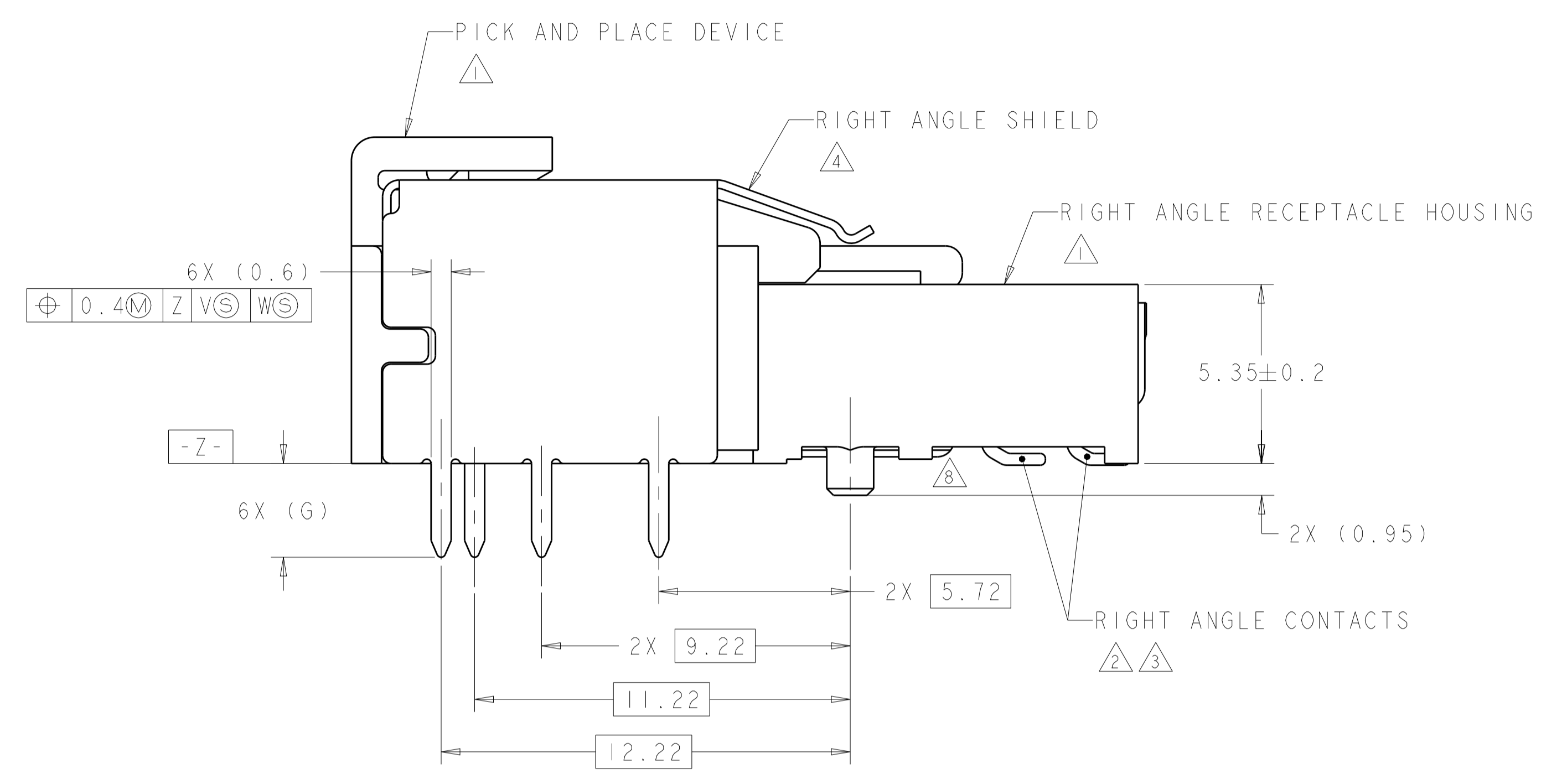
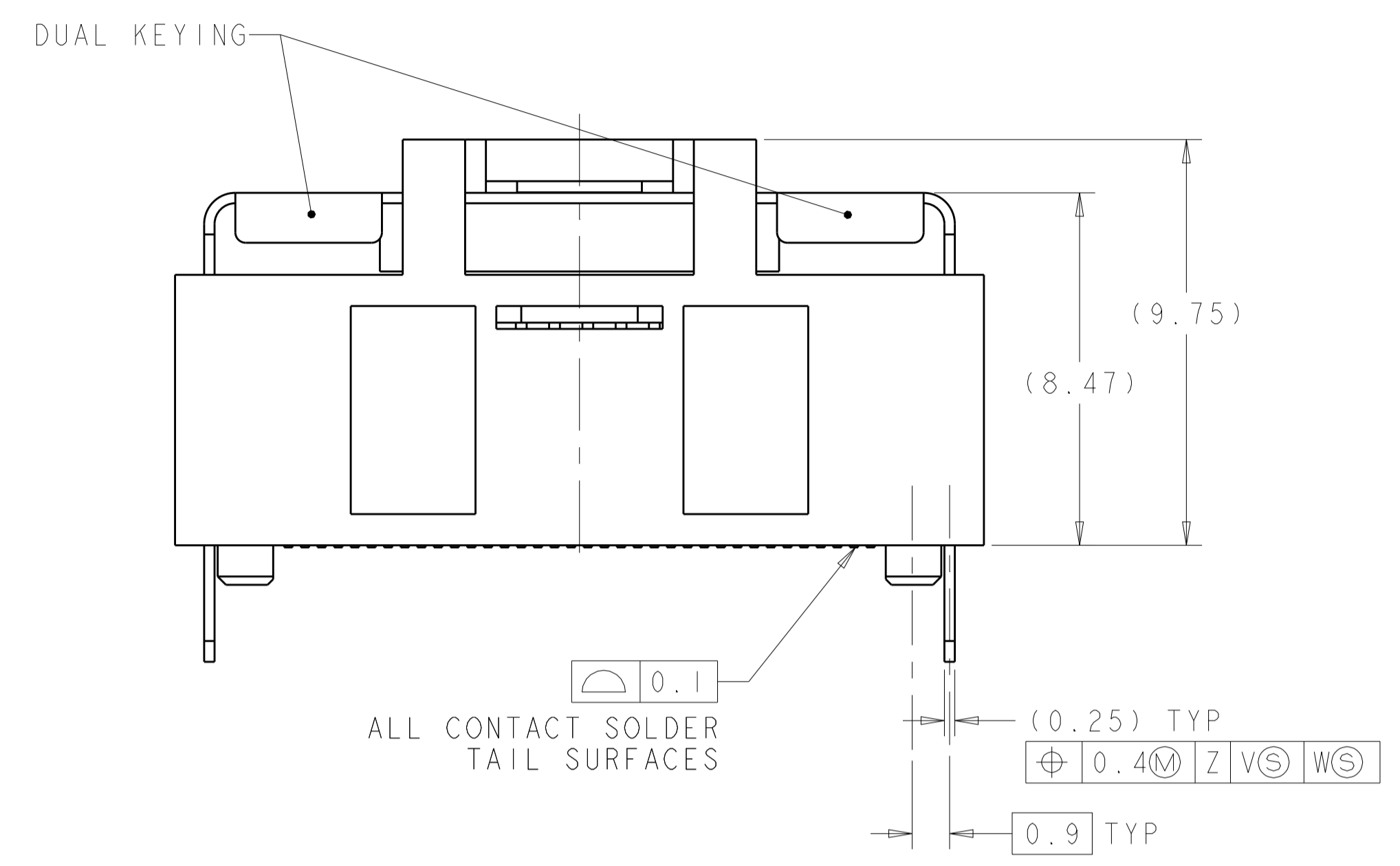
LOC		DIST		REVISIONS			
GP	00	P	LTN	DESCRIPTION	DATE	DMN	APVD
		-		SEE SHEET 1			



THIS DRAWING IS A CONTROLLED DOCUMENT.		DMN M.E. CONNER 18JUL2005	TE Connectivity
DIMENSIONS: mm		CHK R.R. HENRY 18JUL2005	
TOLERANCES UNLESS OTHERWISE SPECIFIED:		APVD R.R. HENRY 18JUL2005	NAME EVERCLEAR Mini-SAS RIGHT ANGLE INTERNAL RECEPTACLE ASSEMBLY WITH DUAL KEYED SHELL
0 PLC ±		PRODUCT SPEC	
1 PLC ±		108-2234	SIZE CAGE CODE DRAWING NO RESTRICTED TO A100779C=1888019
2 PLC ±		APPLICATION SPEC	
3 PLC ±		WEIGHT	SCALE 8:1 SHEET 2 OF 4 REV B4
4 PLC ±		CUSTOMER DRAWING	
ANGLES		FINISH	
MATERIAL SEE NOTES		SEE TABLE	

LOC		DIST		REVISIONS			
GP	00	P	LTN	DESCRIPTION	DATE	DMN	APVD
		-		SEE SHEET 1			

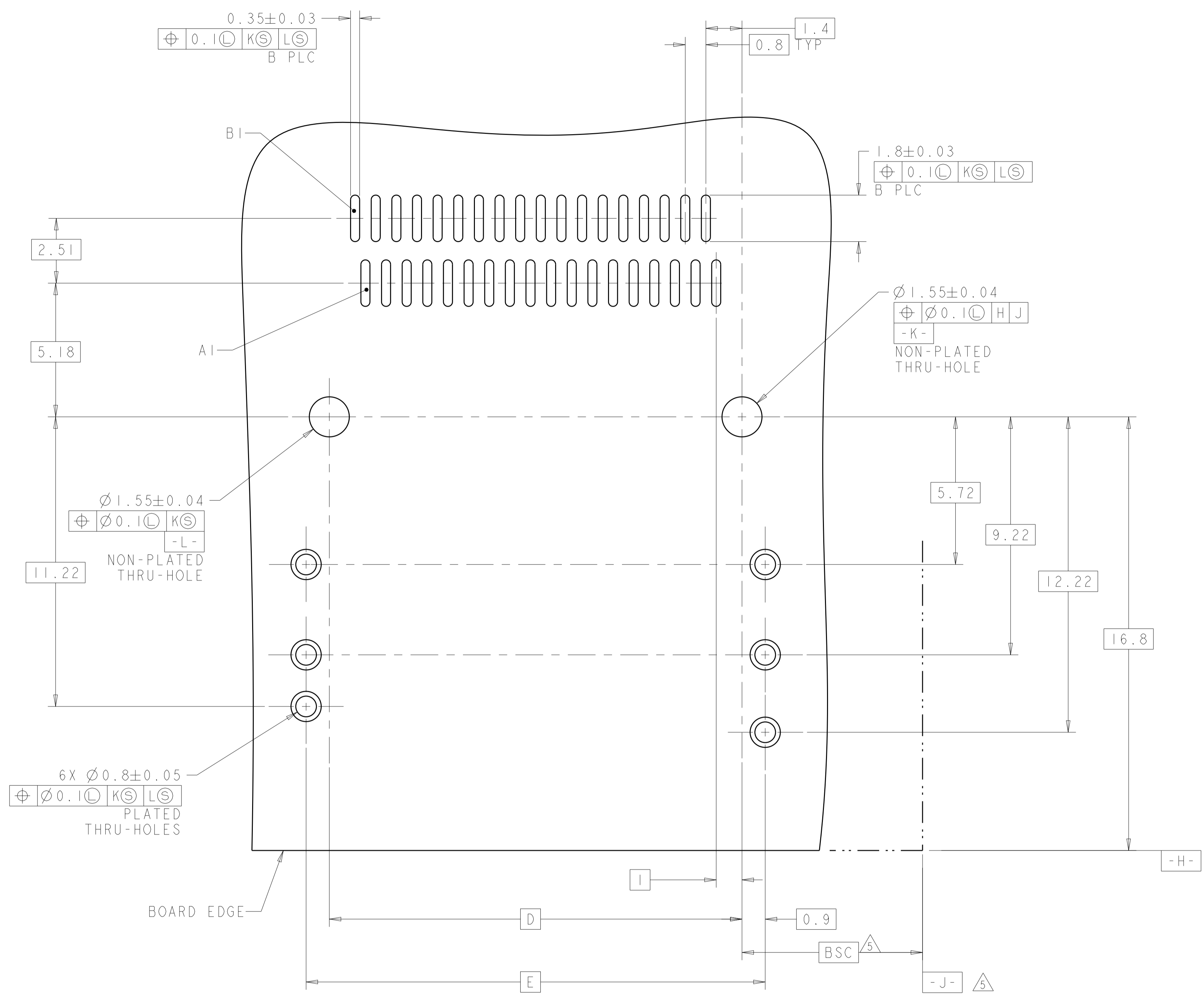
1-1888019-4 AS SHOWN



1-1888019-4
SCALE 8:1

THIS DRAWING IS A CONTROLLED DOCUMENT.		DMN: M.E. CONNER 18JUL2005	TE Connectivity
DIMENSIONS: mm		CHK: R.R. HENRY 18JUL2005	
TOLERANCES UNLESS OTHERWISE SPECIFIED:		APVD: R.R. HENRY 18JUL2005	
0 PLC ± 1 PLC ± 2 PLC ± 3 PLC ± 4 PLC ± ANGLES ±		NAME: EVERCLEAR Mini-SAS RIGHT ANGLE INTERNAL RECEPTACLE ASSEMBLY WITH DUAL KEYED SHELL PRODUCT SPEC: 108-2234 APPLICATION SPEC:	
MATERIAL: SEE NOTES	FINISH: SEE TABLE	WEIGHT: -	SIZE: A1 CAGE CODE: 100779 DRAWING NO: C=1888019 CUSTOMER DRAWING
		SCALE: 8:1	SHEET: 3 OF 4 REV: B4

LOC	DIST	REVISIONS					
GP	00	P.	LTN	DESCRIPTION	DATE	DMN	APVD
		-		SEE SHEET 1			



RECOMMENDED PCB LAYOUT
 SCALE 10:1

THIS DRAWING IS A CONTROLLED DOCUMENT.		DMN M.E. CONNER 18JUL2005	TE Connectivity
DIMENSIONS: mm		CHK R.R. HENRY 18JUL2005	
TOLERANCES UNLESS OTHERWISE SPECIFIED:		APVD R.R. HENRY 18JUL2005	NAME
0 PLC ±	1 PLC ±	2 PLC ±	EVERCLEAR Mini-SAS RIGHT ANGLE INTERNAL RECEPTACLE ASSEMBLY WITH DUAL KEYED SHELL
3 PLC ±	4 PLC ±	5 PLC ±	PRODUCT SPEC 108-2234
ANGLES ±	FINISH ±	WEIGHT -	APPLICATION SPEC
MATERIAL SEE NOTES	FINISH SEE TABLE	SIZE CAGE CODE DRAWING NO	RESTRICTED TO
CUSTOMER DRAWING		A100779C=1888019	SCALE 8:1 SHEET 4 OF 4 REV B4

X-ON Electronics

Largest Supplier of Electrical and Electronic Components

Click to view similar products for [I/O Connectors](#) category:

Click to view products by [TE Connectivity](#) manufacturer:

Other Similar products are found below :

[571763P](#) [72.250.1628.2](#) [72.250.2428.2](#) [74720-0505](#) [76.350.0729.0](#) [76871-1403](#) [FCN-244F080-G/1](#) [FCN-260A9920](#) [MP-5T180MUNNA-005](#)
[PCR-E36PM](#) [PCS-XE26MA+](#) [G38A71314B](#) [1571250010](#) [157-22500-3](#) [MS3471L14-19P L/C](#) [91-569786-35H](#) [172501-4002](#) [172501-6002](#)
[FCN-260C008-A/L0](#) [FCN-260C024-AL0](#) [FCN-261Z008](#) [2000314-1](#) [200331-1](#) [PCR-E36FC+](#) [PCS-E28FS+](#) [PCS-XE26SLFD+](#) [PCS-](#)
[XE26SLFDT+](#) [G730VID08BDC24](#) [U90B2054081210](#) [UE86K842720321](#) [38113800006](#) [DP3AR020WQ1R200](#) [Z4.102.0680.0](#) [500-1040](#)
[500-1052](#) [500-1054](#) [ZP-4008-66L](#) [0709821002](#) [10-565995-597N](#) [DX40-20P\(55\)](#) [5554841-1](#) [MS3474W18-8P-LC*](#) [U90B3054061110](#) [U65-](#)
[E04-4020](#) [ZPF000000000097891](#) [557-262M2-06C](#) [747360449](#) [10099439-003C-TRLF](#) [10137239-0021LF](#) [E9320-001-01](#)