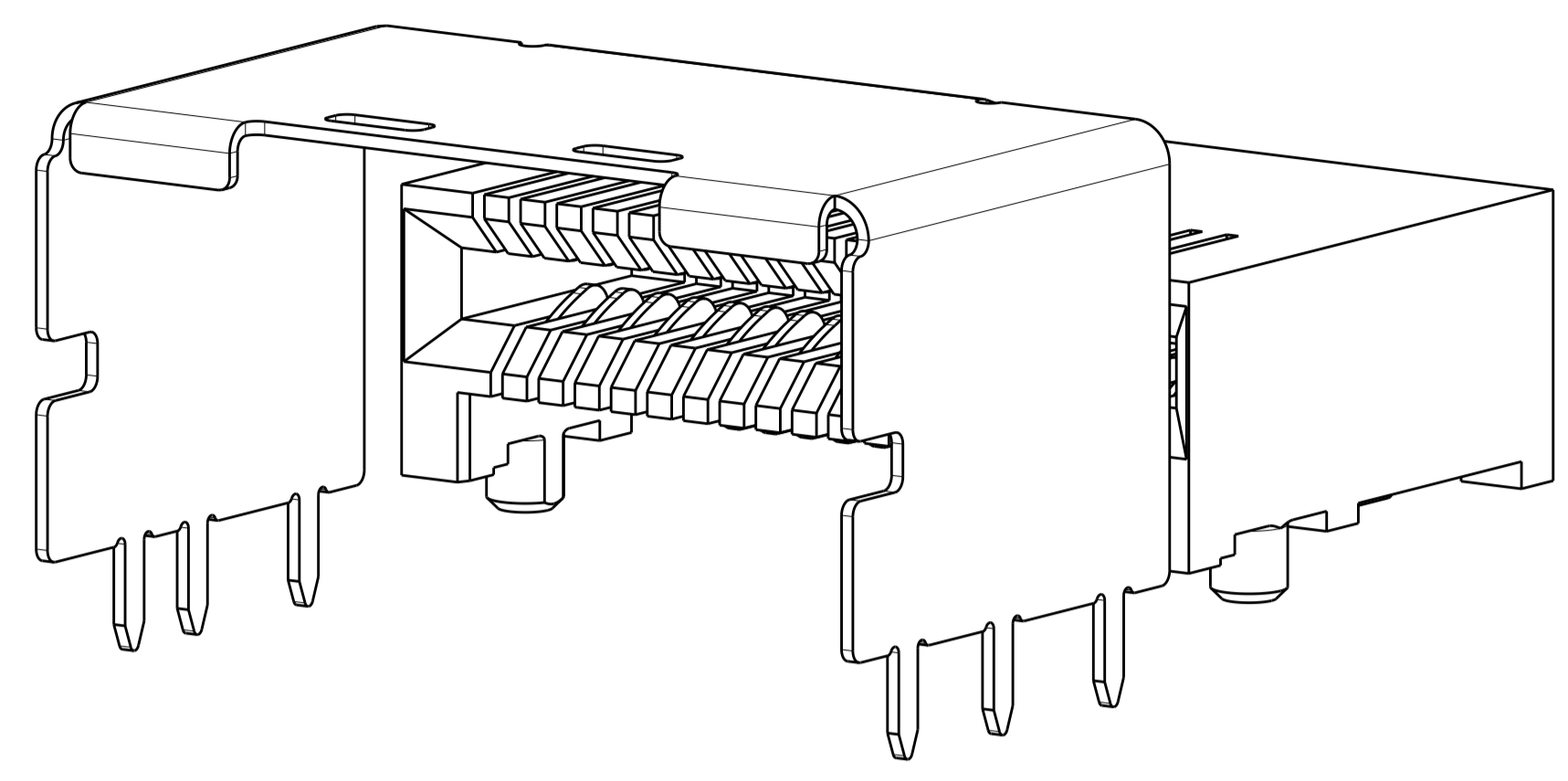
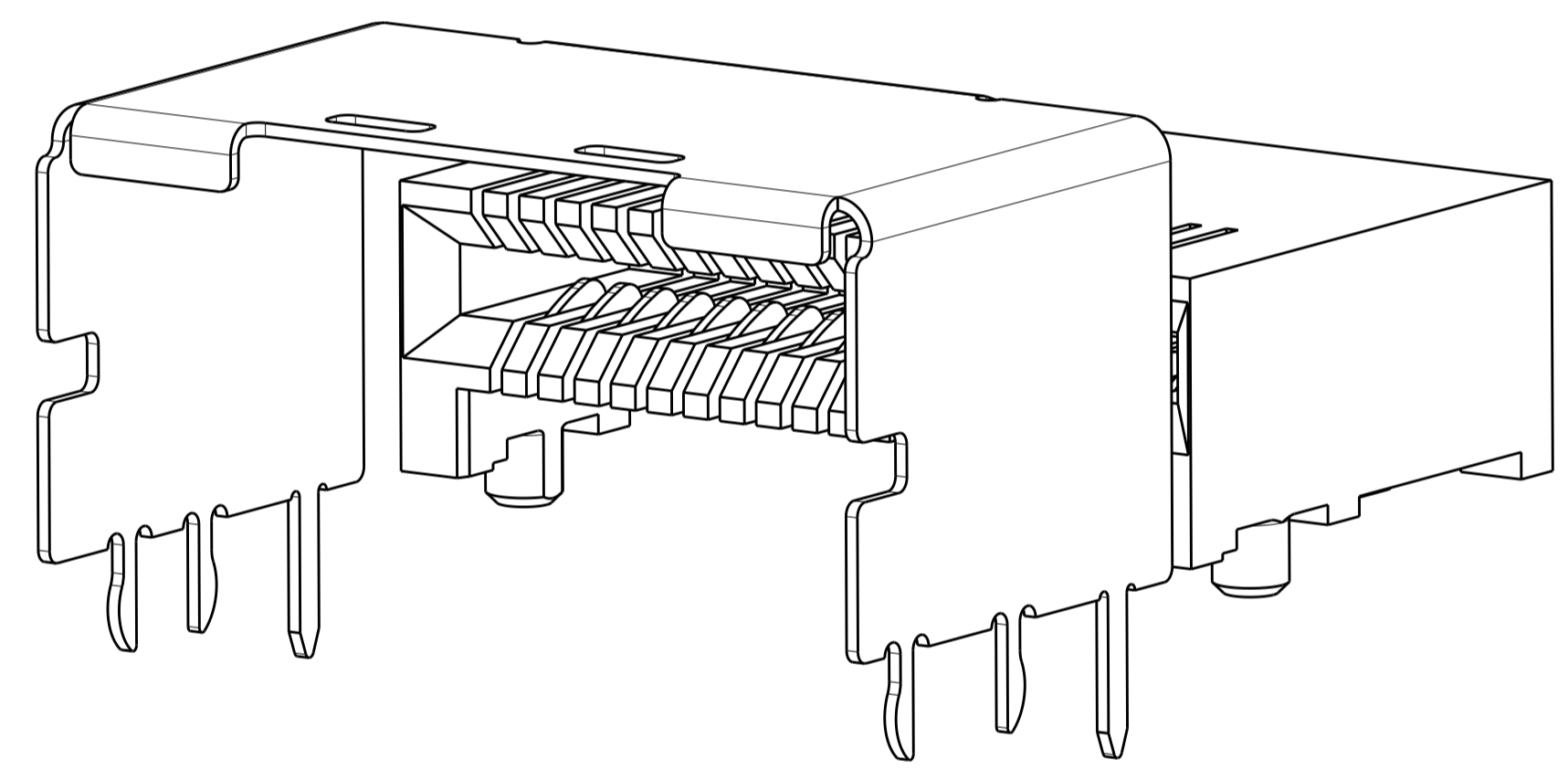


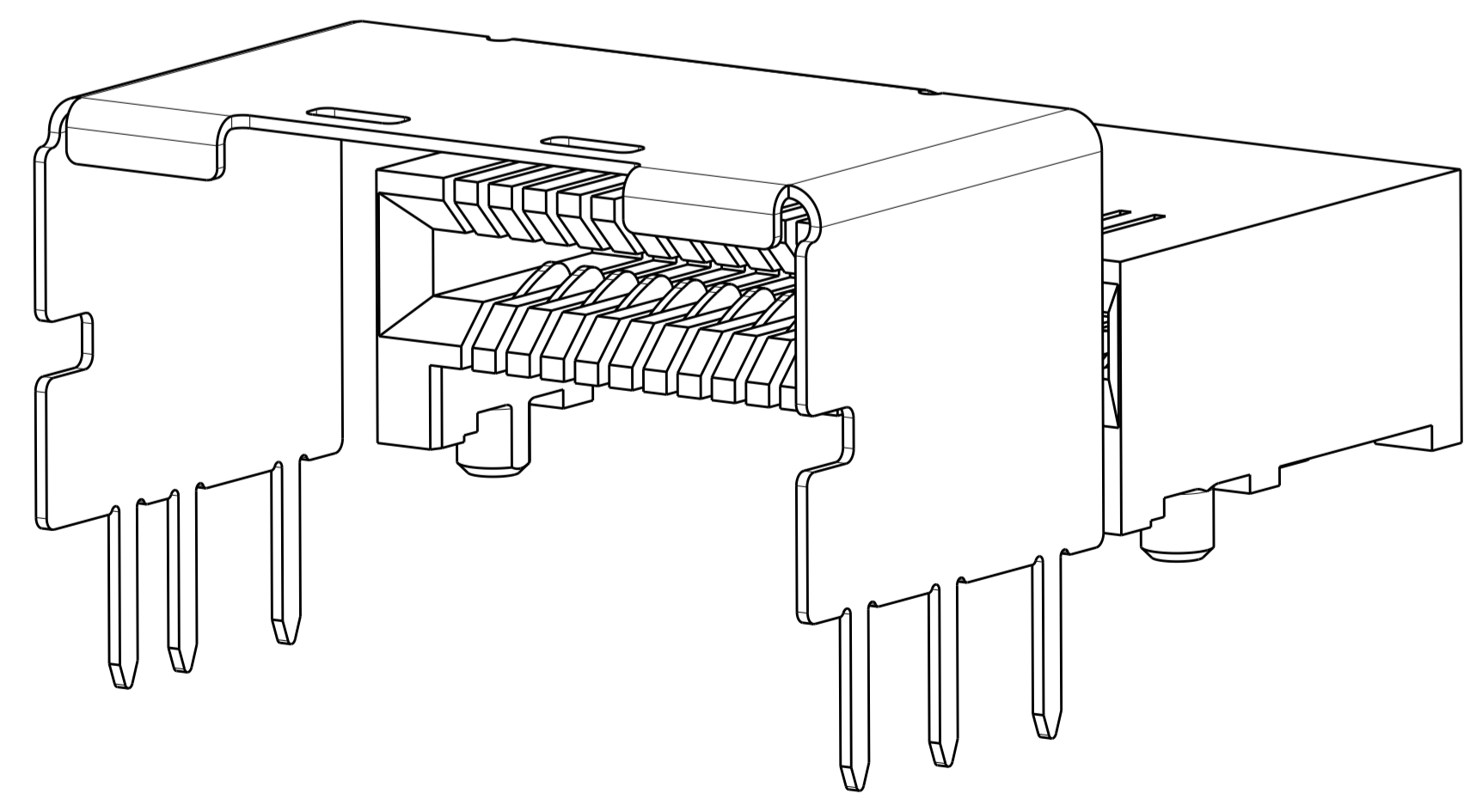
LOC		DIST		REVISONS			
P	LTN	DESCRIPTION	DATE	DWN	APVD		
B2		REVISED PER ECO-11-004835	11MAR2011	RK	HMR		
B3		REVISED PER ECO-19-002570	26DEC2018	JY	SH		
B4		REVISED PER ECO-20-004397	26MAR2020	TX	DZ		



1888019-2  
 SHOWN WITHOUT PICK AND PLACE DEVICE  
 SCALE 8:1

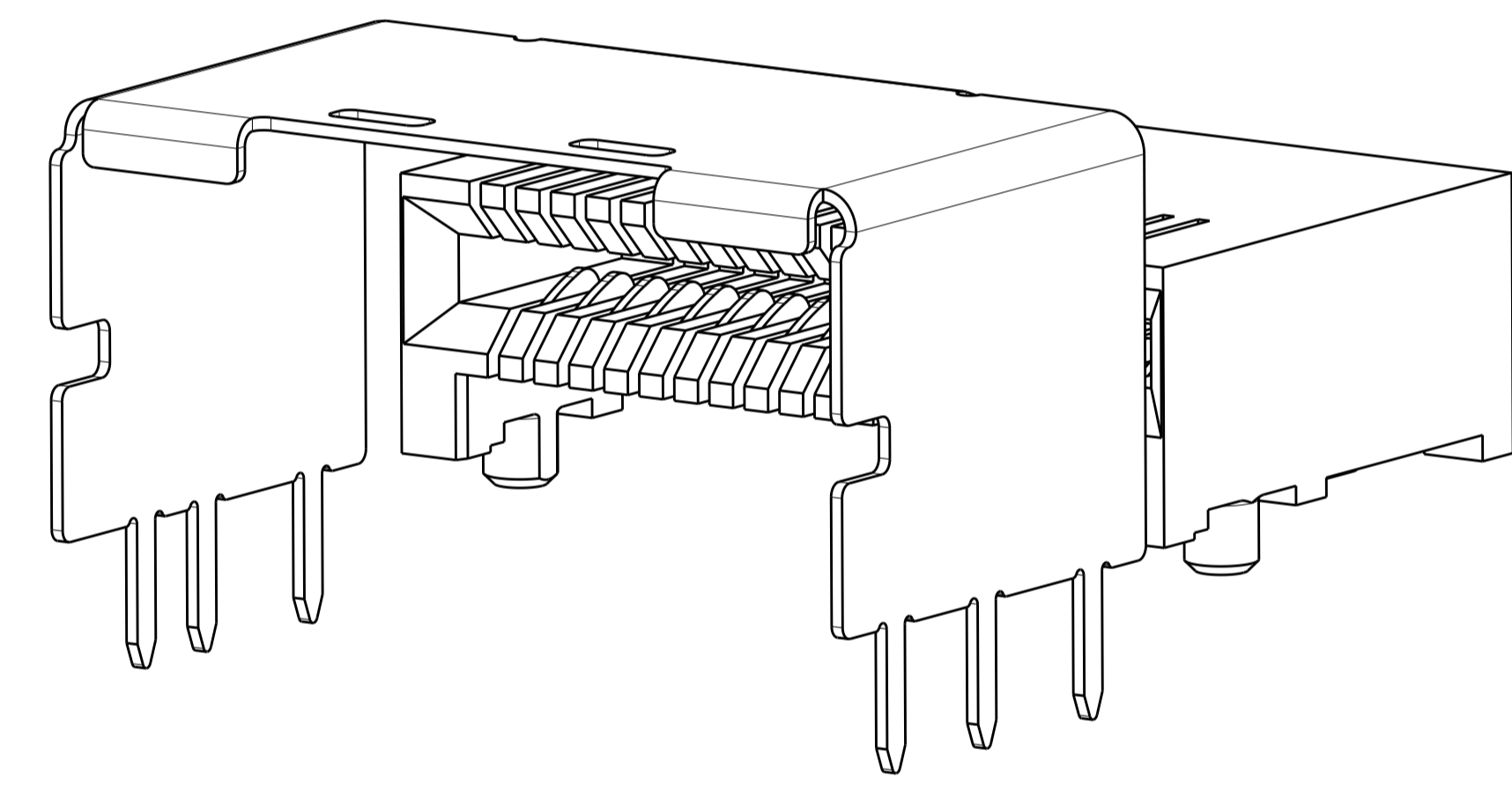


1888019-4  
 SHOWN WITHOUT PICK AND PLACE DEVICE  
 SCALE 8:1



1888019-8  
 SHOWN WITHOUT PICK AND PLACE DEVICE  
 SCALE 8:1

- 1 MATERIAL: LCP, BLACK, UL94 V0.
- 2 MATERIAL: PHOSPHOR BRONZE PER ASTM B 103.
- 3 FINISH: 0.76µm MIN GOLD PLATE PER ASTM B 488, APPLIES TO INTERFACE AREA AND 2.03µm MIN TIN PLATE SOLDER TAILS, ALL OVER 3.81µm MIN NICKEL PLATE PER QQ-N-290.
- 4 MATERIAL: NICKEL-SILVER PER ASTM B 122.
- 5 DATUM AND BASIC DIMENSION ESTABLISHED BY CUSTOMER.
- 6 REFER TO CUSTOMER DRAWING 1761987 FOR CONNECTOR DETAILS.
- 7 PACKAGED IN TAPE AND REEL PER EIA-481.
- 8 FINISH: 0.38µm MIN GOLD PLATE PER ASTM B 488, APPLIES TO INTERFACE AREA AND 2.03µm MIN TIN PLATE SOLDER TAILS, ALL OVER 3.81µm MIN NICKEL PLATE PER QQ-N-290.
- 9 CUSTOMIZED PACKAGE SPEC FOR 1-1888019-3 AND 1-1888019-4



1888019-6, 1-1888019-3 AND 1-1888019-4  
 SHOWN WITHOUT PICK AND PLACE DEVICE  
 SCALE 8:1

8	THRU HOLE	3.5	17.8	16	16	36	18.05	36	1-1888019-2
	THRU HOLE	2.8	17.8	16	16	36	18.05	36	1-1888019-1
	PRESS FIT	-	17.8	16	16	36	18.05	36	1-1888019-0
3	THRU HOLE	2	17.8	16	16	36	18.05	36	1888019-9
	THRU HOLE	2.8	17.8	16	16	36	18.05	36	1-1888019-4 9
	THRU HOLE	2.8	17.8	16	16	36	18.05	36	1-1888019-3 9
	THRU HOLE	3.5	17.8	16	16	36	18.05	36	1888019-8
	THRU HOLE	2.8	17.8	16	16	36	18.05	36	1888019-6
	PRESS FIT	-	17.8	16	16	36	18.05	36	1888019-4
	THRU HOLE	2	17.8	16	16	36	18.05	36	1888019-2
FINISH	SHELL TYPE	G	E	D	C	B	A	POSN	PART NUMBER

THIS DRAWING IS A CONTROLLED DOCUMENT. DWN M.E. CONNER 18JUL2005  
 CHK R.R. HENRY 18JUL2005  
 APVD R.R. HENRY 18JUL2005

**STE** TE Connectivity

NAME EVERCLEAR Mini-SAS RIGHT ANGLE INTERNAL RECEPTACLE ASSEMBLY WITH DUAL KEYED SHELL

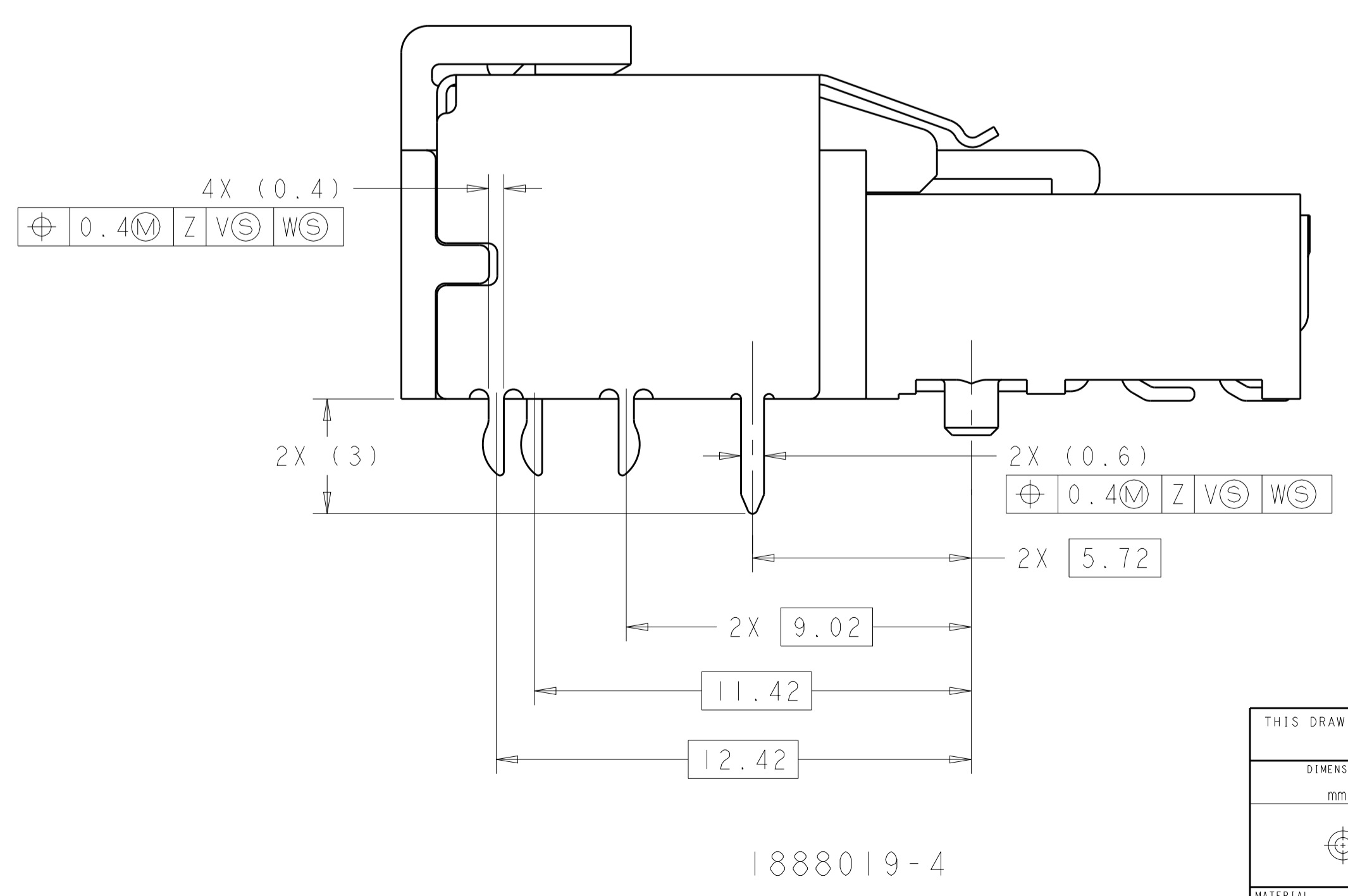
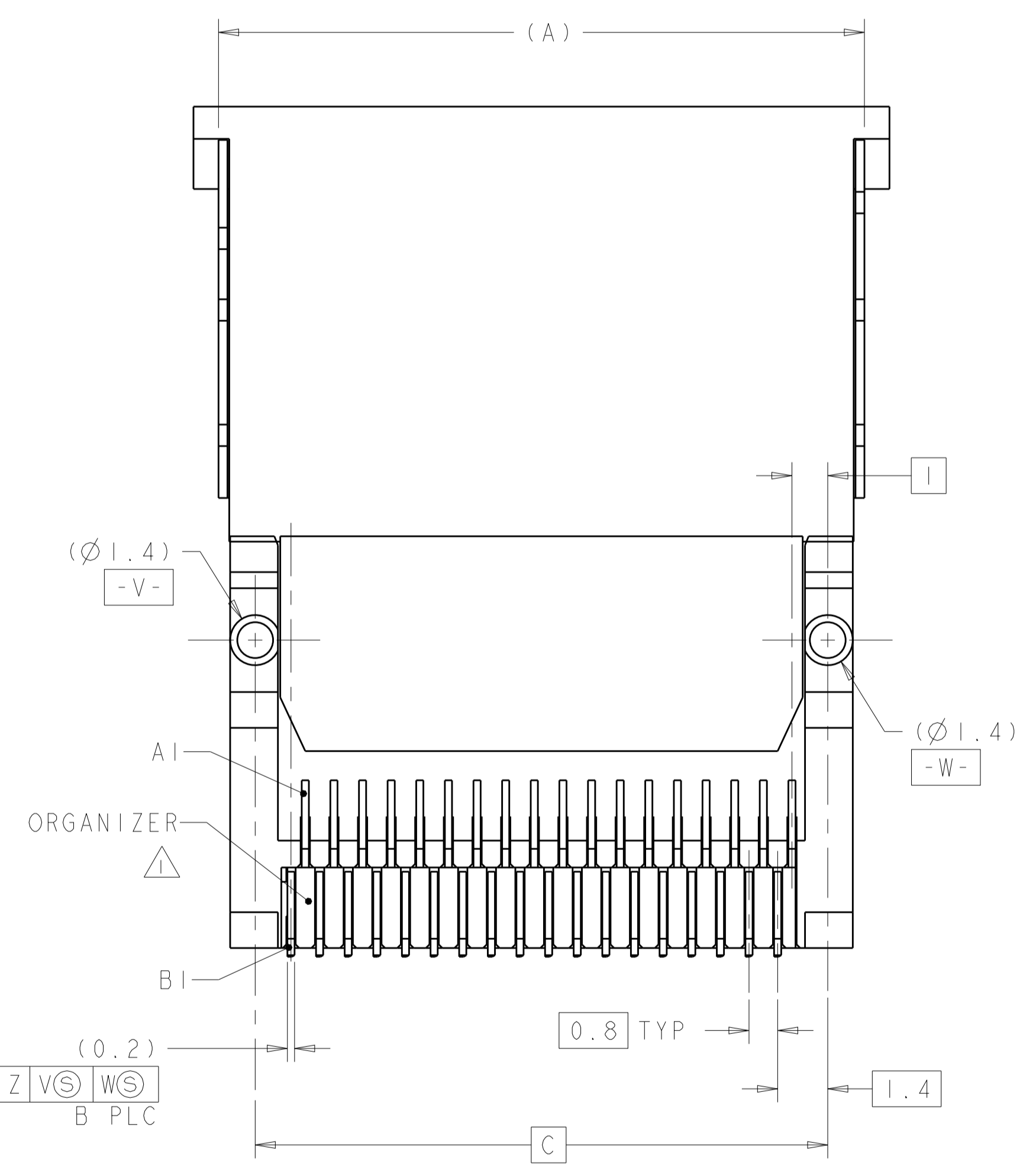
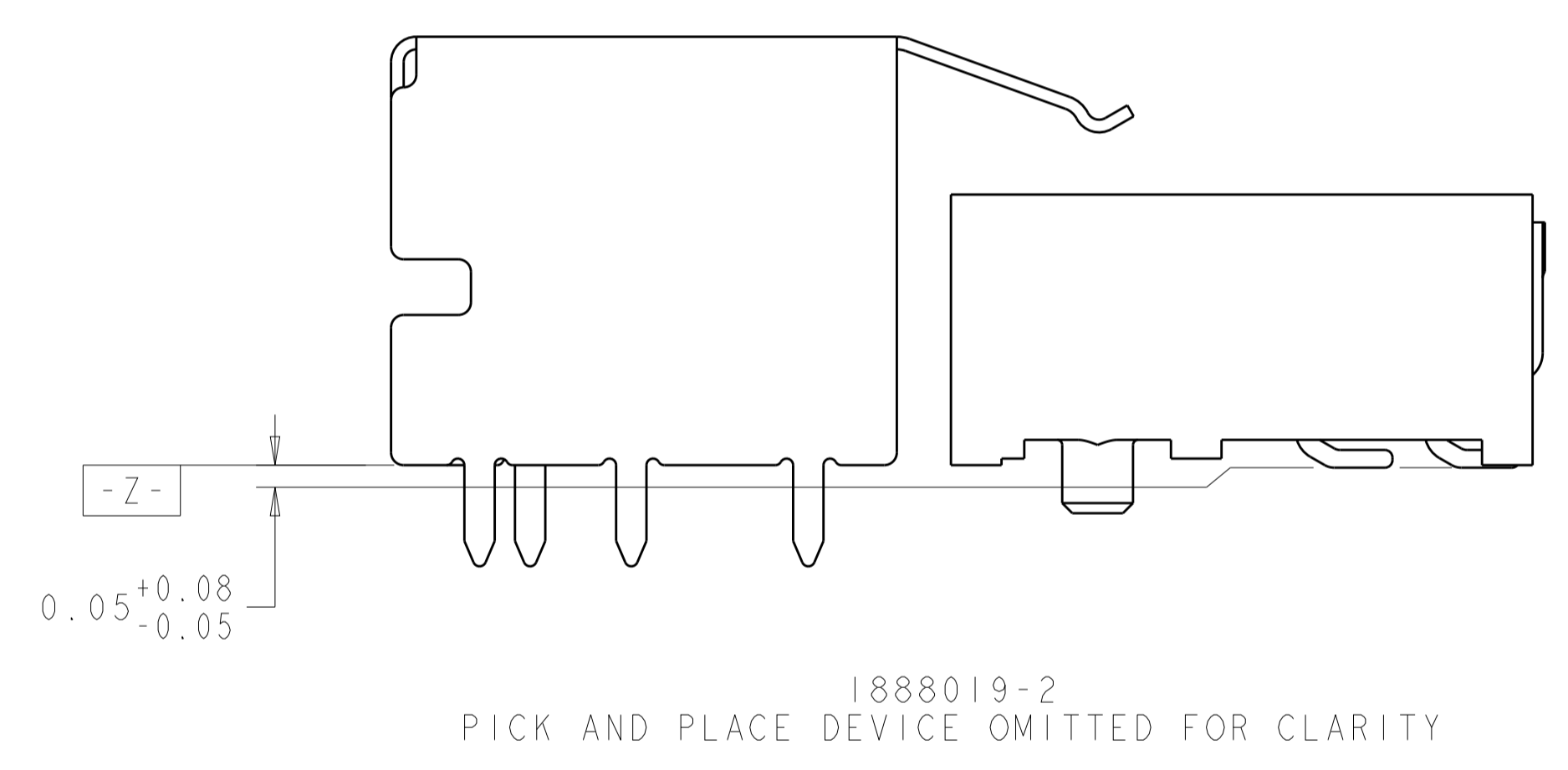
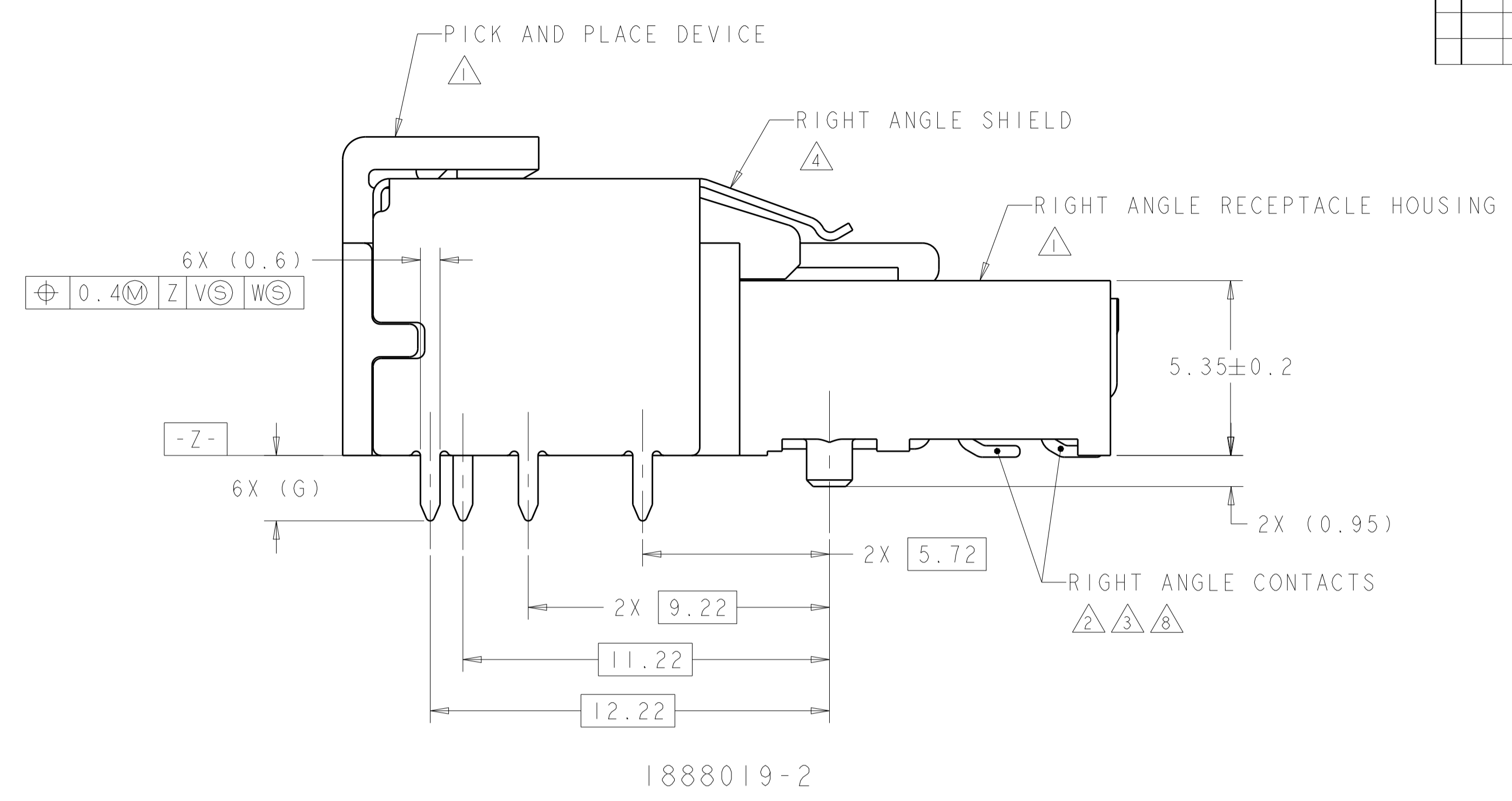
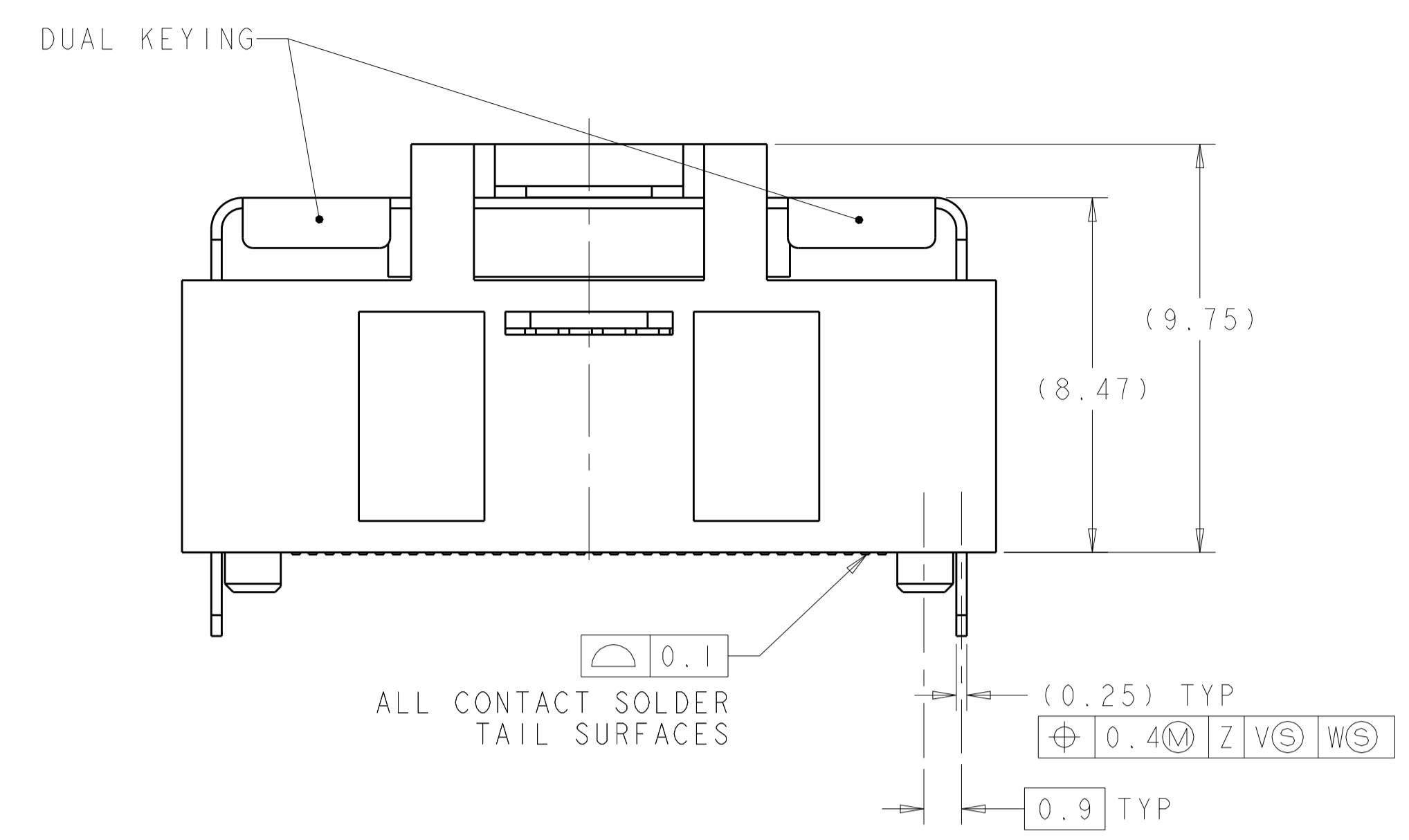
PRODUCT SPEC 108-2234  
 APPLICATION SPEC

SIZE A1 CAGE CODE 00779 DRAWING NO. 1888019  
 WEIGHT CUSTOMER DRAWING SCALE 8:1 SHEET 1 OF 4 REV B4

DIMENSIONS: mm  
 TOLERANCES UNLESS OTHERWISE SPECIFIED:  
 0 PLC ±  
 1 PLC ±  
 2 PLC ±  
 3 PLC ±  
 4 PLC ±  
 ANGLES ±

MATERIAL SEE NOTES FINISH SEE TABLE

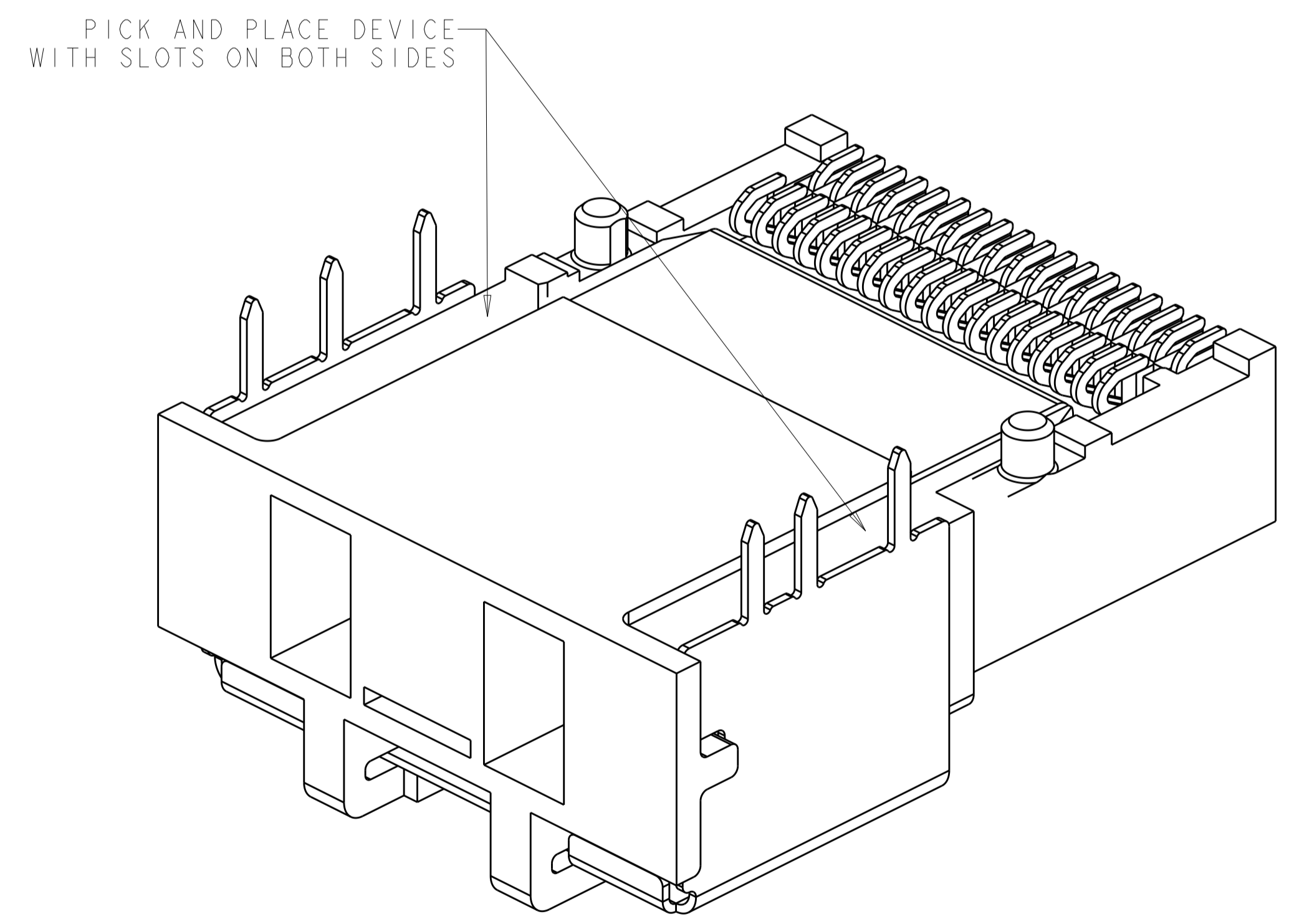
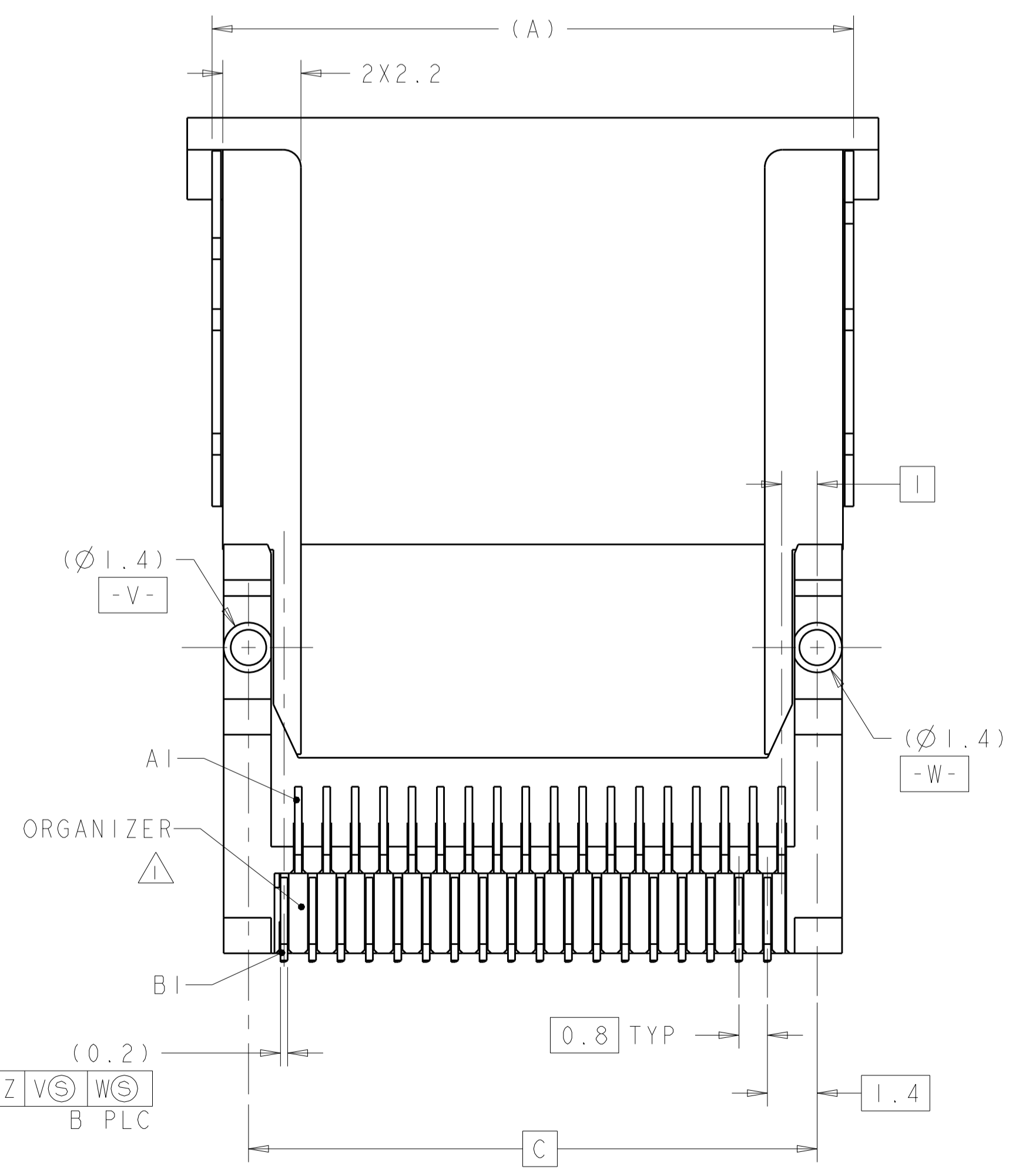
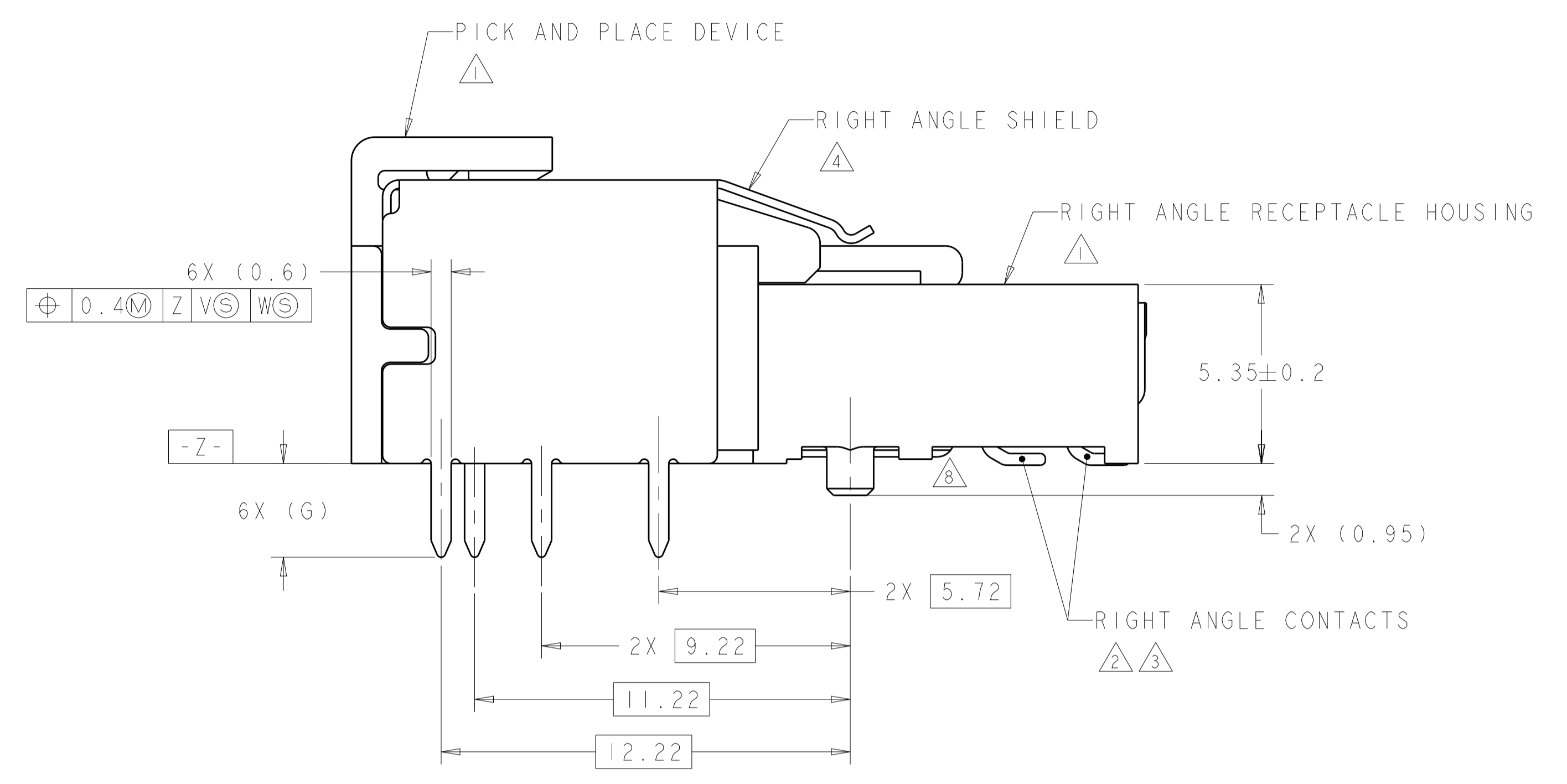
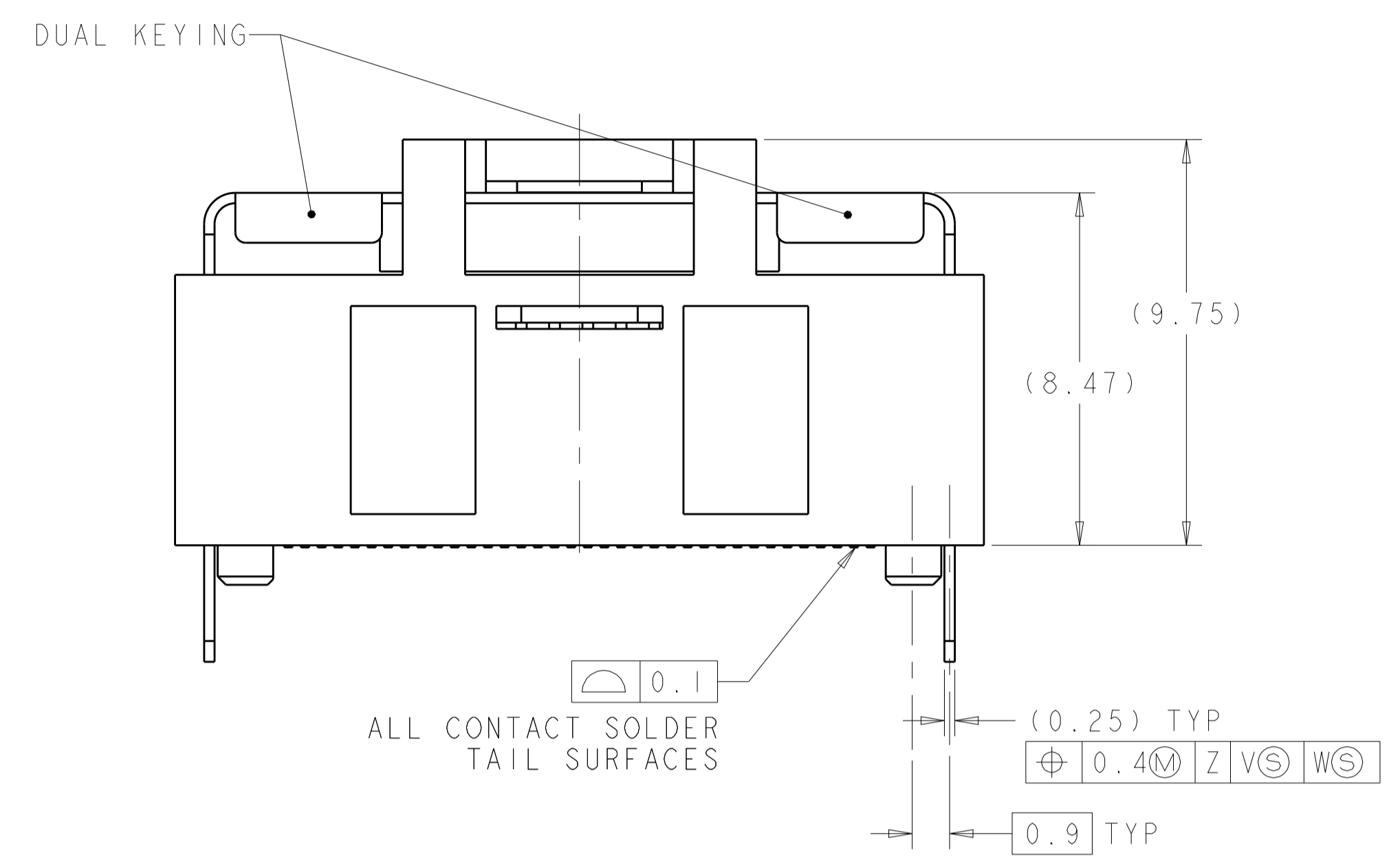
LOC	DIST	REVISIONS			
GP	00	REV	DATE	BY	APPD
		-	SEE SHEET 1		



THIS DRAWING IS A CONTROLLED DOCUMENT.		OWN: M.E. CONNER 18JUL2005	 TE Connectivity
DIMENSIONS: mm		CHK: R.R. HENRY 18JUL2005	
TOLERANCES UNLESS OTHERWISE SPECIFIED:		APPD: R.R. HENRY 18JUL2005	
0 PLC ± 1 PLC ± 2 PLC ± 3 PLC ± 4 PLC ± ANGLES ±		NAME: EVERCLEAR Mini-SAS RIGHT ANGLE INTERNAL RECEPTACLE ASSEMBLY WITH DUAL KEYED SHELL	
MATERIAL: SEE NOTES	FINISH: SEE TABLE	PRODUCT SPEC: 108-2234	RESTRICTED TO:
CUSTOMER DRAWING		APPLICATION SPEC:	SIZE: A1
		WEIGHT:	CAGE CODE: 1888019
		SCALE: 8:1	SHEET 2 OF 4
			REV: B4

LOC		DIST		REVISIONS			
GP	00	P	LTN	DESCRIPTION	DATE	DMN	APVD
		-		SEE SHEET 1			

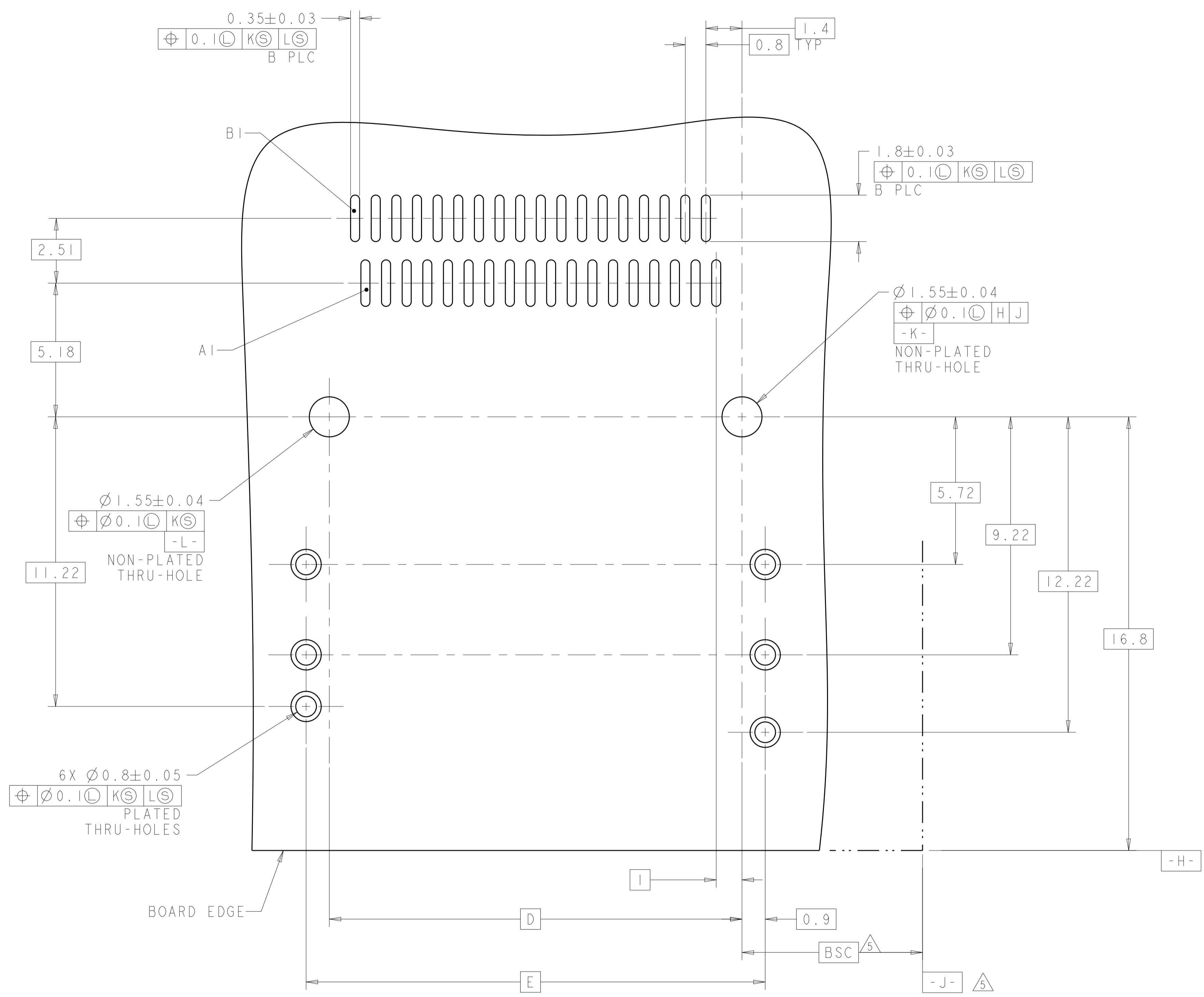
1-1888019-4 AS SHOWN



1-1888019-4  
 SCALE 8:1

THIS DRAWING IS A CONTROLLED DOCUMENT.		DMN: M. E. CONNER 18JUL2005	TE Connectivity NAME: EVERCLEAR Mini-SAS RIGHT ANGLE INTERNAL RECEPTACLE ASSEMBLY WITH DUAL KEYED SHELL PRODUCT SPEC: 108-2234 APPLICATION SPEC: SIZE: A1 CAGE CODE: 00779 DRAWING NO: C=1888019 RESTRICTED TO: CUSTOMER DRAWING
DIMENSIONS: mm		CHK: R. R. HENRY 18JUL2005	
TOLERANCES UNLESS OTHERWISE SPECIFIED: 0 PLC ±: 1 PLC ±: 2 PLC ±: 3 PLC ±: 4 PLC ±: ANGLES ±: MATERIAL: SEE NOTES FINISH: SEE TABLE		APVD: R. R. HENRY 18JUL2005	
WEIGHT: SCALE: 8:1 SHEET: 3 OF 4 REV: B4			

LOC	DIST	REVISIONS					
GP	00	P.	LTN	DESCRIPTION	DATE	DWN	APVD
		-		SEE SHEET 1			



RECOMMENDED PCB LAYOUT  
 SCALE 10:1

THIS DRAWING IS A CONTROLLED DOCUMENT.		DWN M. E. CONNER 18JUL2005	TE Connectivity
DIMENSIONS: mm		CHK R. R. HENRY 18JUL2005	
TOLERANCES UNLESS OTHERWISE SPECIFIED:		APVD R. R. HENRY 18JUL2005	NAME EVERCLEAR Mini-SAS RIGHT ANGLE INTERNAL RECEPTACLE ASSEMBLY WITH DUAL KEYED SHELL
0 PLC ± 2 PLC ± 3 PLC ± 4 PLC ± ANGLES ±		PRODUCT SPEC 108-2234 APPLICATION SPEC	
MATERIAL SEE NOTES		FINISH SEE TABLE	SIZE CAGE CODE DRAWING NO A100779C=1888019
CUSTOMER DRAWING		SCALE 8:1	SHEET 4 OF 4 REV B4

## X-ON Electronics

Largest Supplier of Electrical and Electronic Components

*Click to view similar products for [I/O Connectors](#) category:*

*Click to view products by [TE Connectivity](#) manufacturer:*

Other Similar products are found below :

[571763P](#) [58098-0628](#) [72.250.1628.2](#) [72.250.2428.2](#) [74720-0505](#) [76.350.0729.0](#) [76871-1403](#) [FCN-244F080-G/1](#) [FCN-260A9920](#) [PCR-E36PM](#) [PCS-XE26MA+](#) [G38A71314B](#) [1571250010](#) [157-22500-3](#) [MS3471L14-19P L/C](#) [172501-4002](#) [172501-6002](#) [FCN-260C008-A/L0](#) [FCN-260C024-AL0](#) [FCN-261Z008](#) [2000314-1](#) [200331-1](#) [PCR-E36FC+](#) [PCS-E28FS+](#) [PCS-XE26SLFD+](#) [PCS-XE26SLFDT+](#) [G730VID08BDC24](#) [U90B2054081210](#) [38113800006](#) [DP3AR020WQ1R200](#) [Z4.102.0680.0](#) [500-1040](#) [500-1052](#) [500-1054](#) [ZP-4008-66L](#) [0709821002](#) [DX40-20P\(55\)](#) [5554841-1](#) [MS3474W18-8P-LC\\*](#) [U90B3054061110](#) [U65-E04-4020](#) [ZPF000000000097891](#) [747360449](#) [10099439-003C-TRLF](#) [10137239-0021LF](#) [E9320-001-01](#) [10137239-0011LF](#) [70289-001LF](#) [70.060.1028.0](#) [109029-ZZ](#)