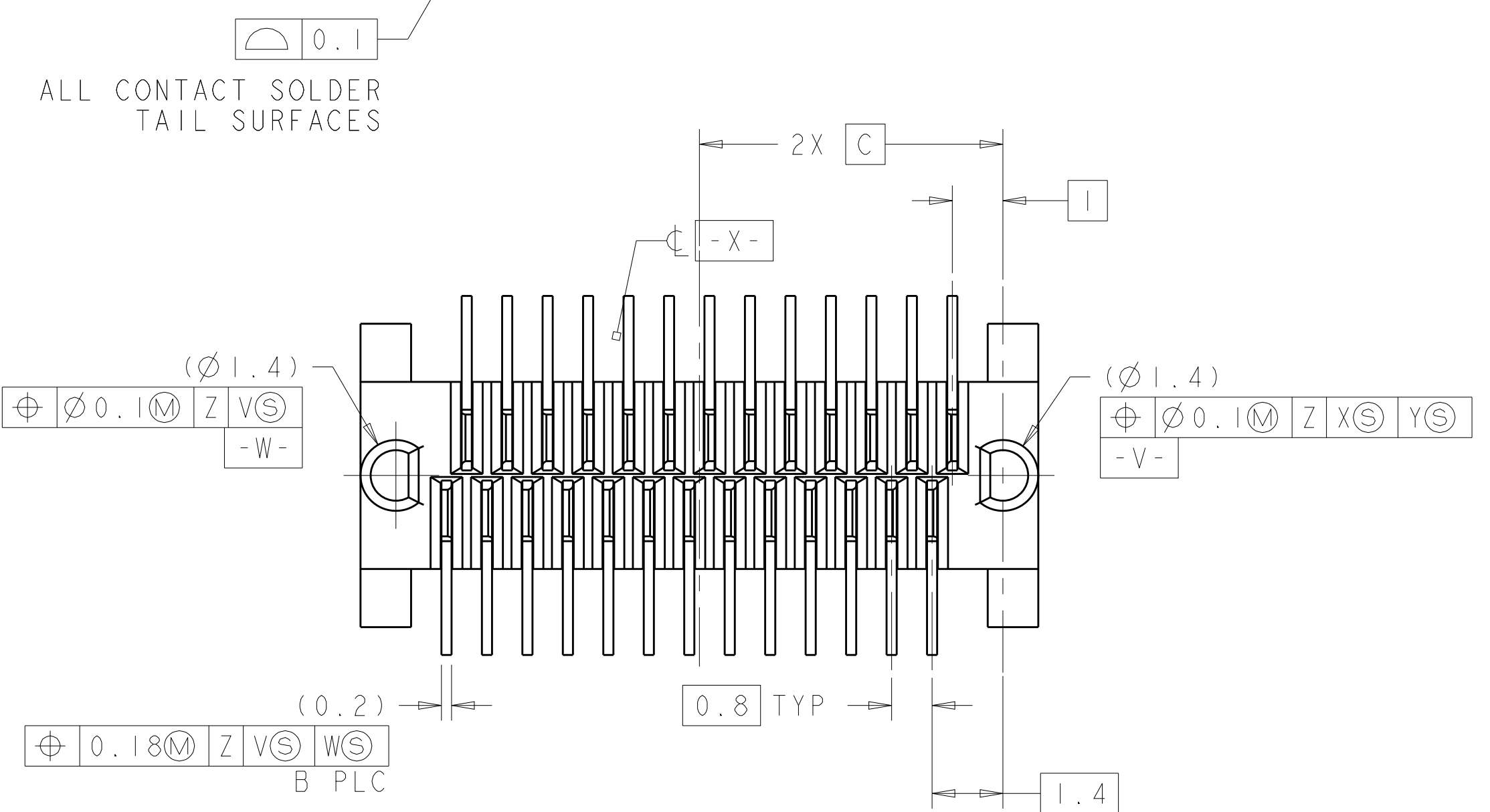
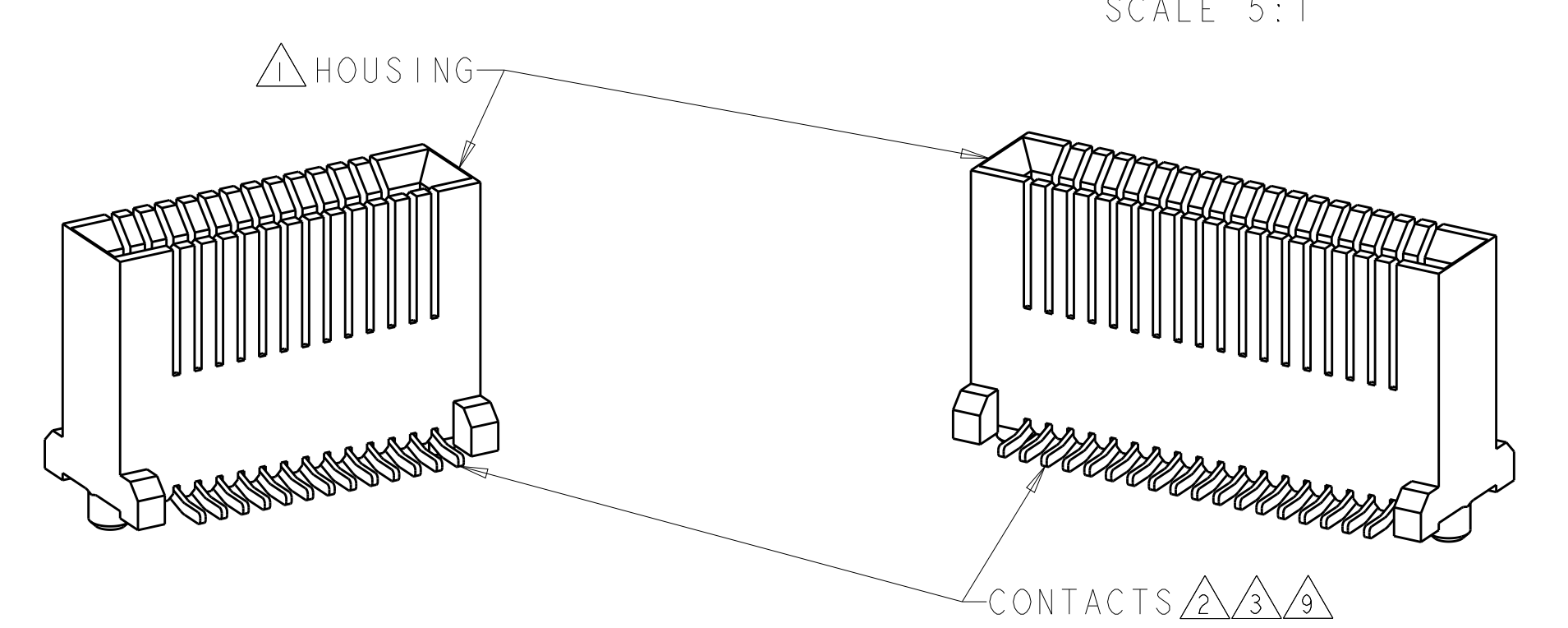
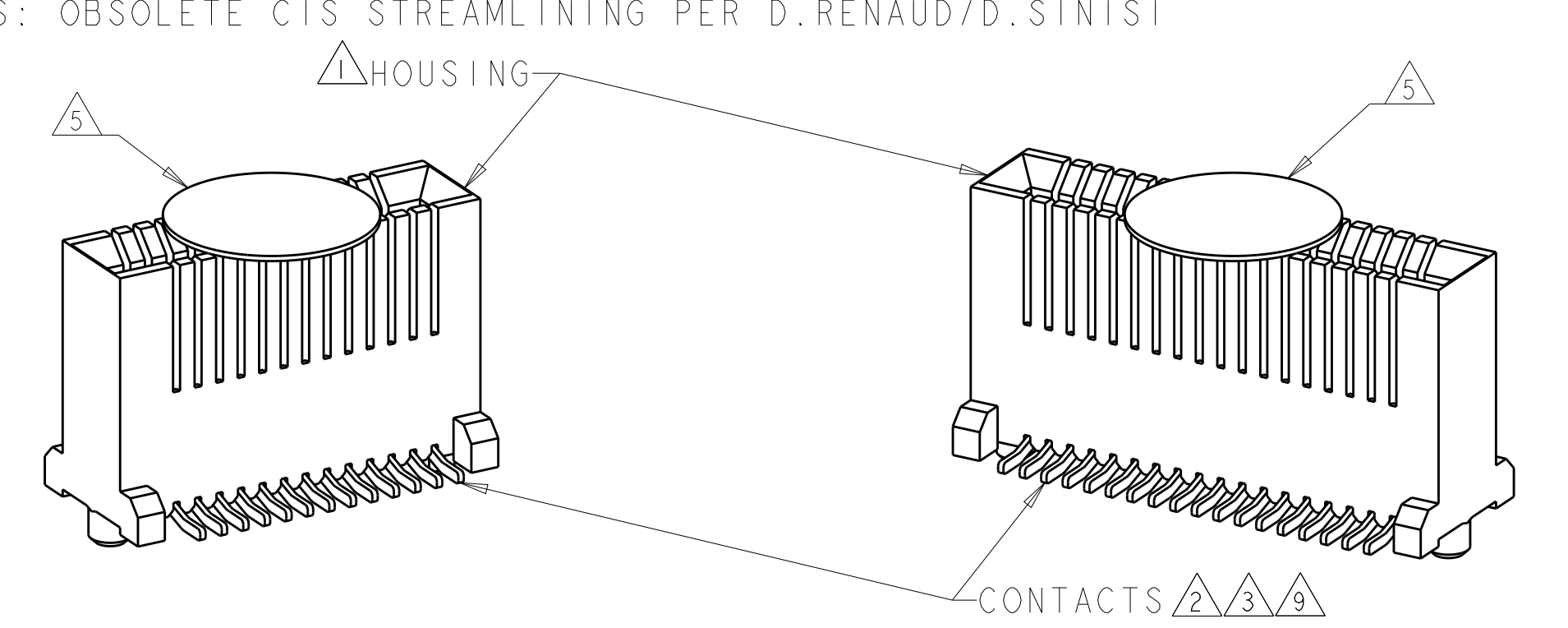
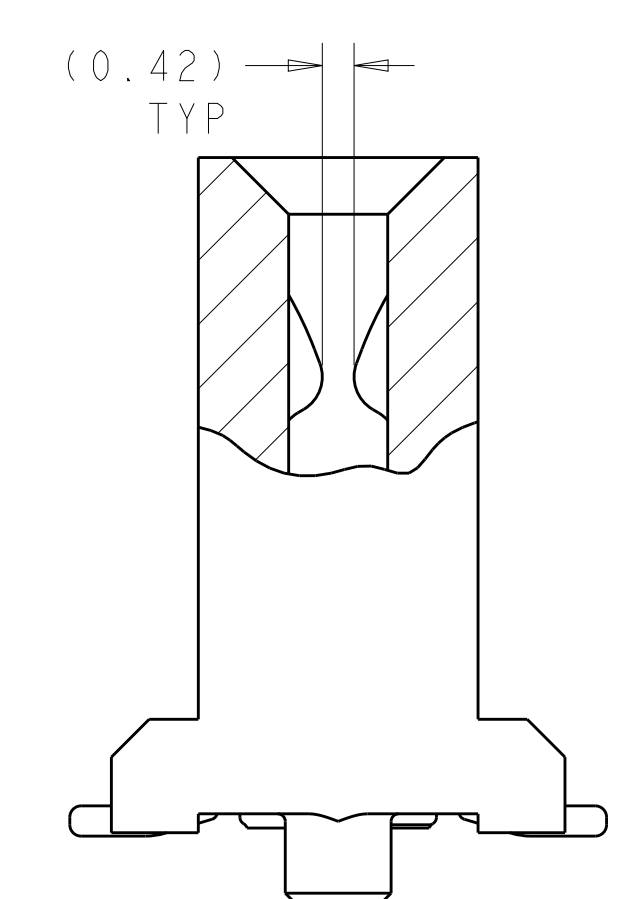
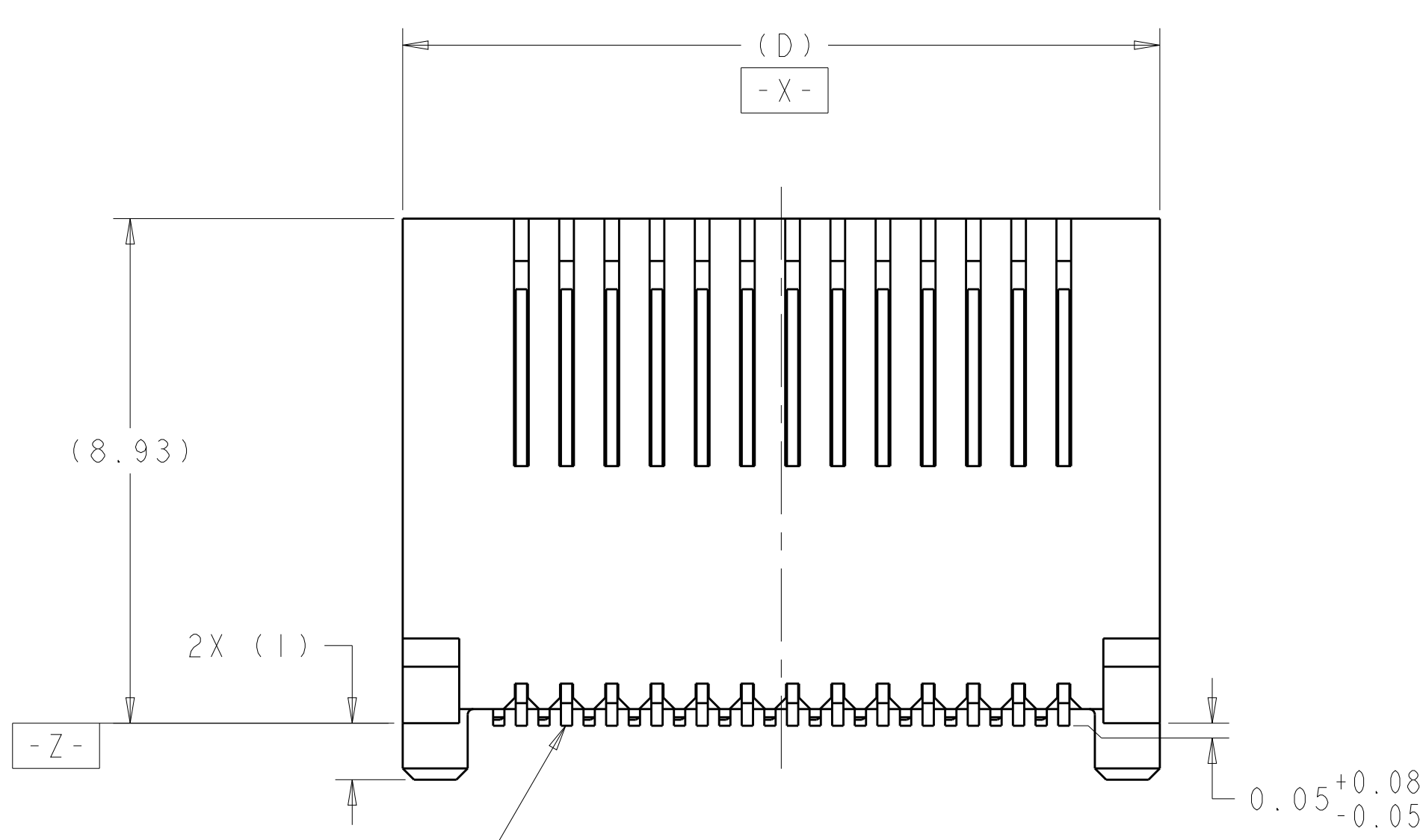
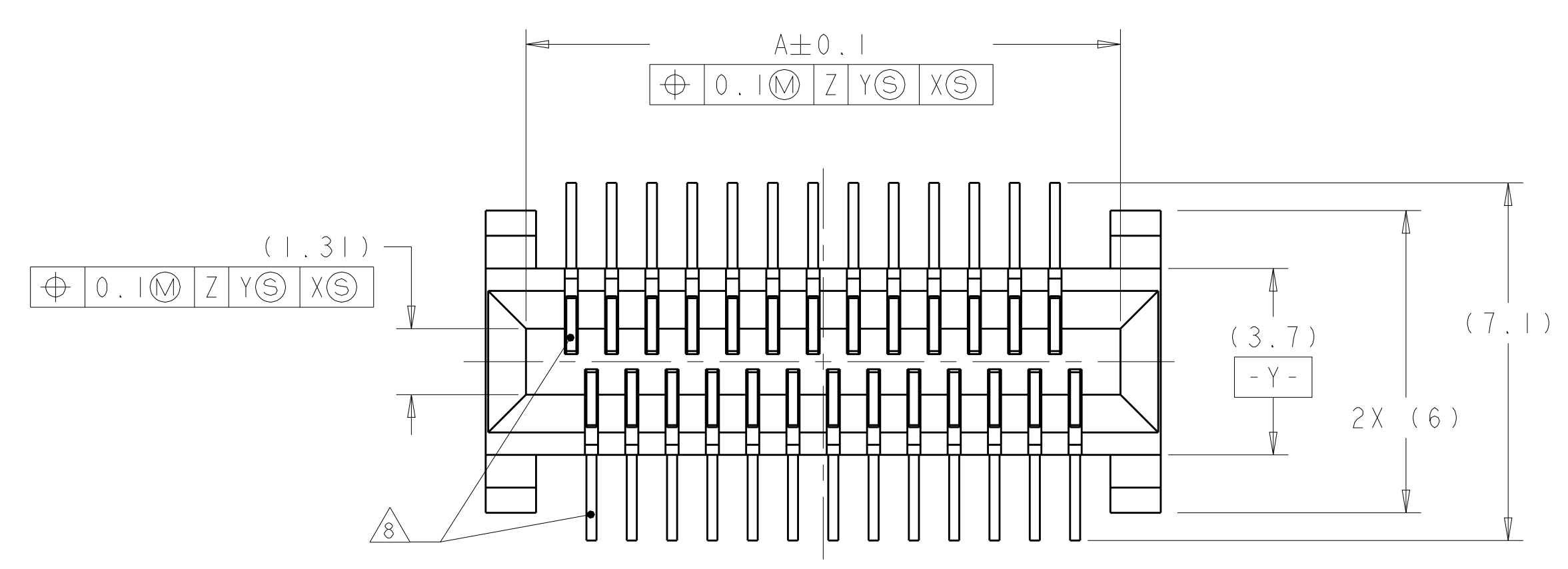


LOC	DIST	REVISIONS					
GP	00	P	LTN	DESCRIPTION	DATE	DWN	APVD
		A1		REVISED PER ECO-09-025699	11-DEC-2009	KK	AEG
		A2		REVISED PER ECO-12-010437	28SEP2012	CJV	DLG
		B		REVISED PER ECO-15-018557	30DEC2015	TX	SH

- 1 MATERIAL: LCP, BLACK.
- 2 MATERIAL: PHOSPHOR BRONZE PER ASTM B 103.
- 3 FINISH: 0.76µm MIN GOLD PLATE PER ASTM B 488, APPLIES TO INTERFACE AREA AND 2.03µm MIN TIN PLATE SOLDER TAILS, ALL OVER 3.81µm MIN NICKEL PLATE PER QQ-N-290.
- 4 DATUM AND BASIC DIMENSION ESTABLISHED BY CUSTOMER.
- 5 WITH KAPTON PLACEMENT DOT INSTALLED.
- 6 PACKAGED IN TUBES.
- 7 PACKAGED IN TAPE AND REEL.
- 8 CONNECTOR PIN IDENTIFIERS: SYMETRICAL VERTICAL CONNECTORS CAN BE APPLIED TO BOARD IN EITHER ORIENTATION.
- 9 FINISH: 0.38µm MIN GOLD PLATE PER ASTM B 488, APPLIES TO INTERFACE AREA AND 2.03µm MIN TIN PLATE SOLDER TAILS, ALL OVER 3.81µm MIN NICKEL PLATE PER QQ-N-290.
- 10 OBSOLETE PARTS: OBSOLETE CIS STREAMLINING PER D.RENAUD/D.SINISI



OBSOLETE		7	-	-	-	-	-	-	1888020-6	5	1888020-8	
OBSOLETE		7	-	-	-	-	-	-	1888020-5	5	1888020-7	
OBSOLETE	9	6	36	16	17.4	8	36	15.8	36	-	1888020-6	
OBSOLETE		6	26	12	13.4	6	26	11.8	26	-	1888020-5	
OBSOLETE		7	-	-	-	-	-	-	-	1888020-2	5	1-1888020-0
OBSOLETE		7	-	-	-	-	-	-	-	1888020-2	5	1888020-4
OBSOLETE	3	7	-	-	-	-	-	-	-	1888020-1	5	1888020-3
OBSOLETE		6	36	16	17.4	8	36	15.8	36	-	1888020-2	
OBSOLETE		6	26	12	13.4	6	26	11.8	26	-	1888020-1	
FINISH	PACKAGING	N	E	D	C	B	A	POSN	MADE FROM		PART NUMBER	

THIS DRAWING IS A CONTROLLED DOCUMENT. DIMENSIONING AND TOLERANCING PER ASME Y14.5M-2009.

OWN: M.E. COWHER 01JUL05
 CHK: R.R. HENRY 01JUL05
 APVD: R.R. HENRY 01JUL05

NAME: EVERCLEAR Mini-SAS VERTICAL RECEPTACLE CONNECTOR ASSEMBLY, SURFACE MOUNT

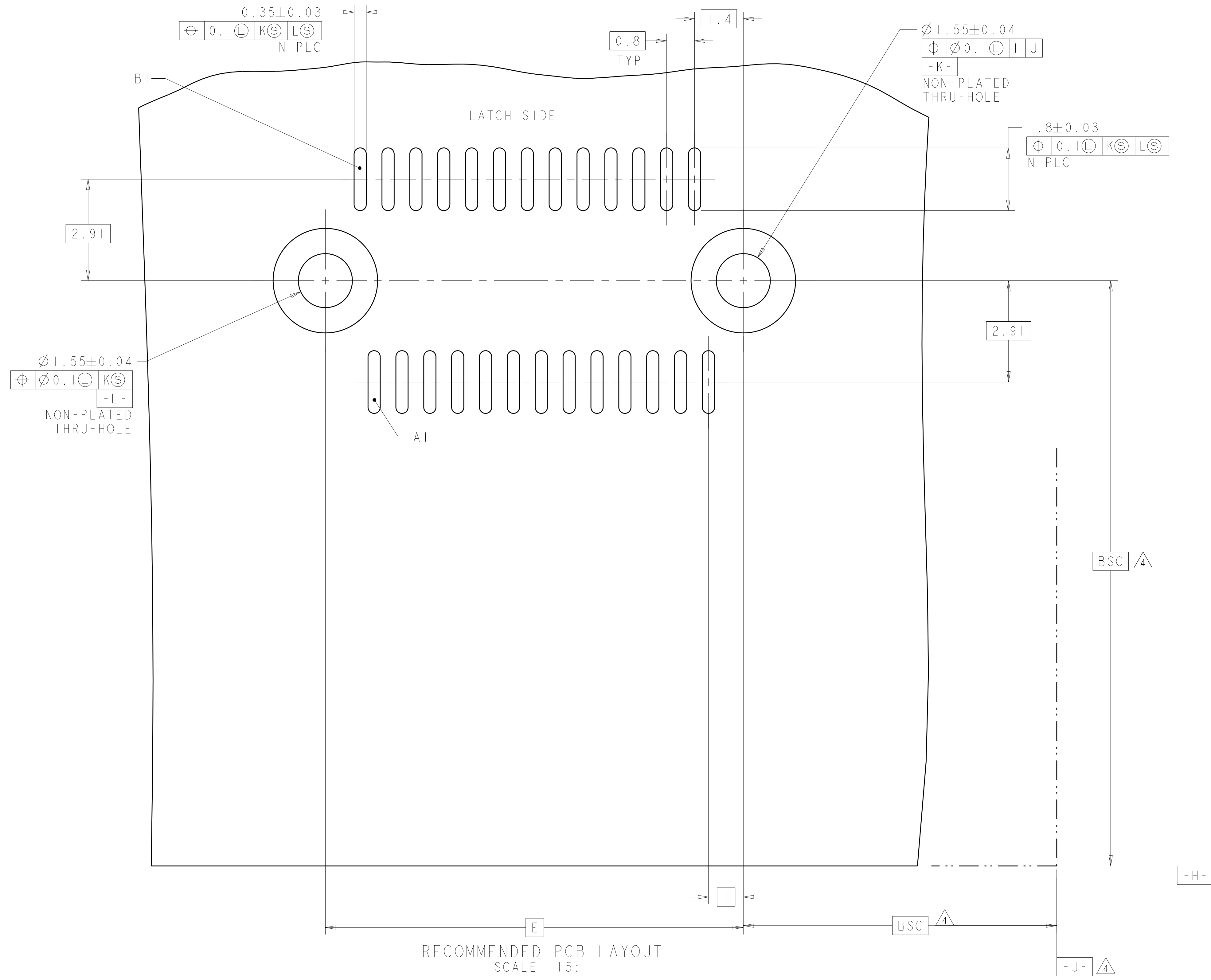
PRODUCT SPEC: 108-2234
 APPLICATION SPEC:

SIZE: A1
 CAGE CODE: 100779
 DRAWING NO: 1888020

SCALE: 10:1
 SHEET: 1 OF 2
 REV: B

STE TE Connectivity

LOC	DIST	REVISIONS			
P	LTN	DESCRIPTION	DATE	DWN	APVD
-	-	SEE SHEET 1	-	-	-



RECOMMENDED PCB LAYOUT
 SCALE 15:1

THIS DRAWING IS A CONTROLLED DOCUMENT. DIMENSIONING AND TOLERANCING PER ASME Y14.5M-2009		DWN: M. E. COWHER 01 JUL 05 CHK: R. R. HENRY 01 JUL 05	TE Connectivity
DIMENSIONS: mm		APVD: R. R. HENRY 01 JUL 05	
TOLERANCES UNLESS OTHERWISE SPECIFIED: 0 PLC ± 1 PLC ± 2 PLC ± 3 PLC ± 4 PLC ± ANGLES ±		NAME: EVERCLEAR Mini-SAS VERTICAL RECEPTACLE CONNECTOR ASSEMBLY, SURFACE MOUNT PRODUCT SPEC: 108-2234 APPLICATION SPEC: -	RESTRICTED TO:
MATERIAL: SEE NOTES		WEIGHT: -	SIZE: A100779
FINISH: SEE TABLE		CUSTOMER DRAWING	SCALE: 10:1 SHEET 2 OF 2 REV B

X-ON Electronics

Largest Supplier of Electrical and Electronic Components

Click to view similar products for [I/O Connectors](#) category:

Click to view products by [TE Connectivity](#) manufacturer:

Other Similar products are found below :

[571763P](#) [58098-0628](#) [72.250.1628.2](#) [72.250.2428.2](#) [74720-0505](#) [76.350.0729.0](#) [76871-1403](#) [FCN-244F080-G/1](#) [FCN-260A9920](#) [PCR-E36PM](#) [PCS-XE26MA+](#) [G38A71314B](#) [1571250010](#) [157-22500-3](#) [MS3471L14-19P L/C](#) [172501-4002](#) [172501-6002](#) [FCN-260C008-A/L0](#) [FCN-260C024-AL0](#) [FCN-261Z008](#) [2000314-1](#) [200331-1](#) [PCR-E36FC+](#) [PCS-E28FS+](#) [PCS-XE26SLFD+](#) [PCS-XE26SLFDT+](#) [G730VID08BDC24](#) [U90B2054081210](#) [38113800006](#) [DP3AR020WQ1R200](#) [Z4.102.0680.0](#) [500-1040](#) [500-1052](#) [500-1054](#) [ZP-4008-66L](#) [0709821002](#) [DX40-20P\(55\)](#) [5554841-1](#) [MS3474W18-8P-LC*](#) [U90B3054061110](#) [U65-E04-4020](#) [ZPF000000000097891](#) [747360449](#) [10099439-003C-TRLF](#) [10137239-0021LF](#) [E9320-001-01](#) [10137239-0011LF](#) [70289-001LF](#) [70.060.1028.0](#) [109029-ZZ](#)