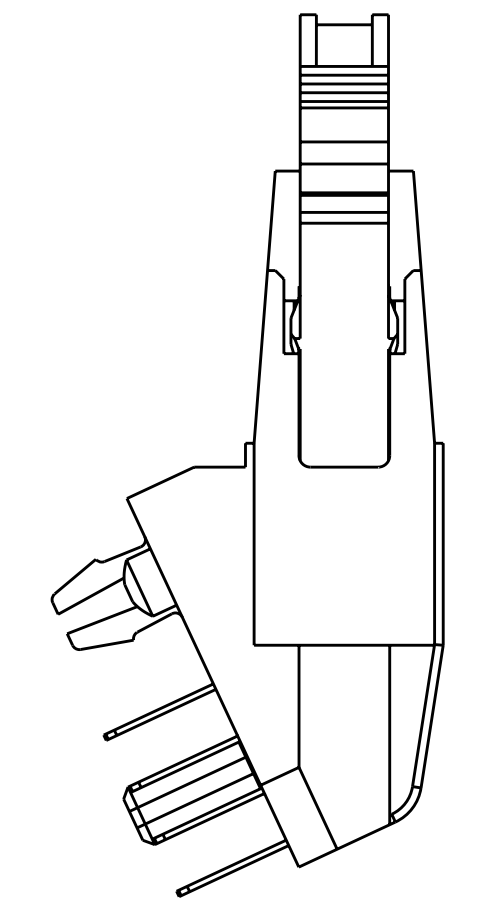
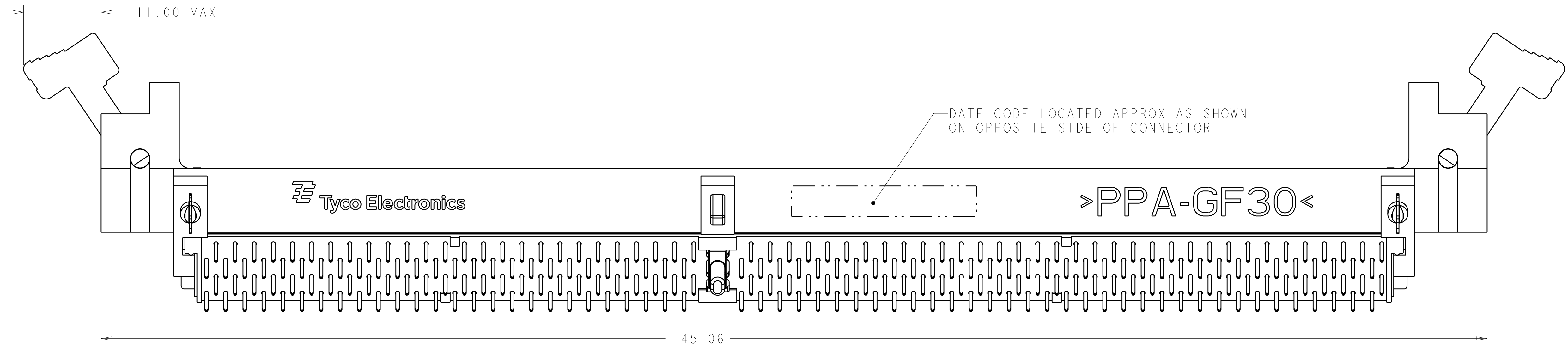
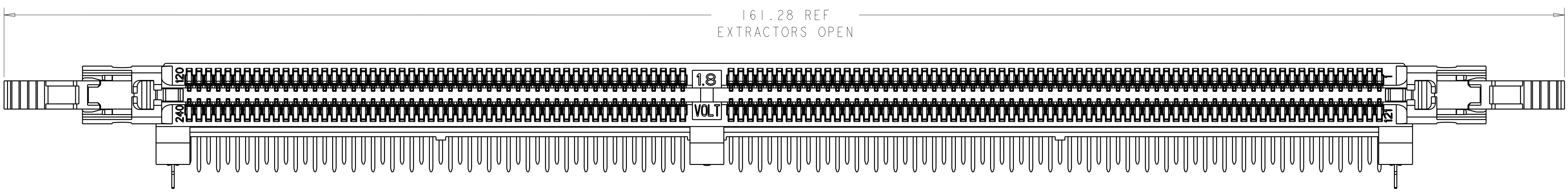
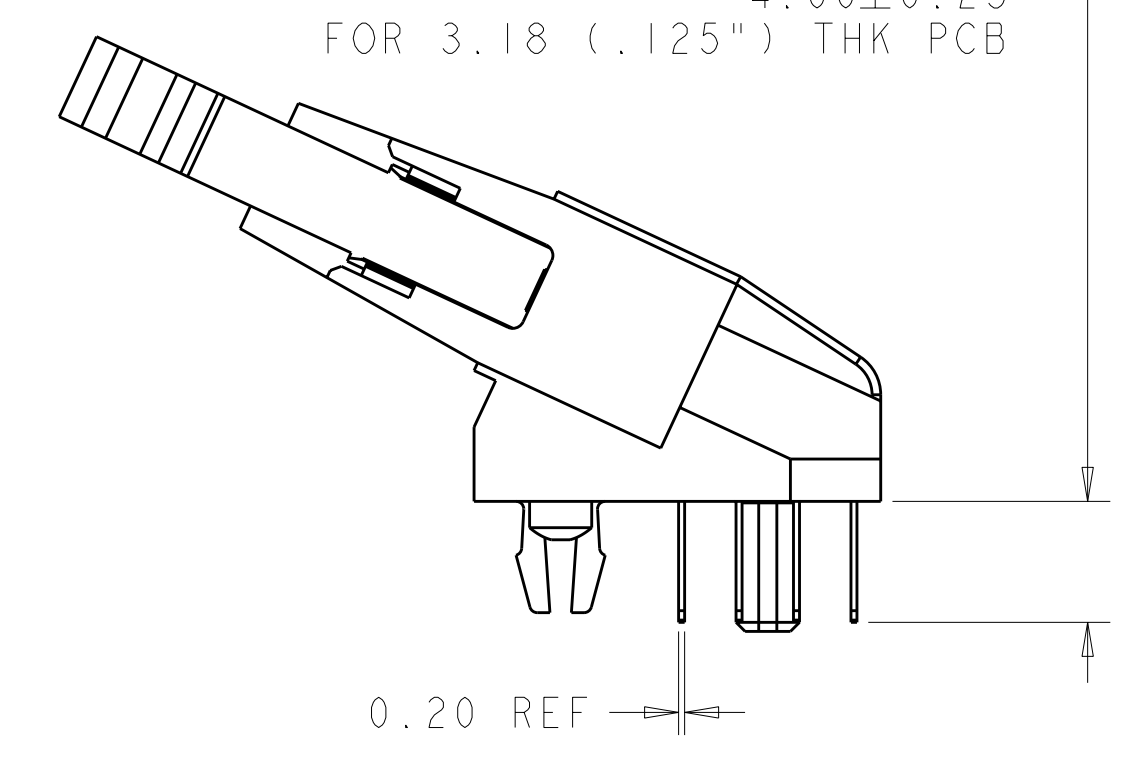
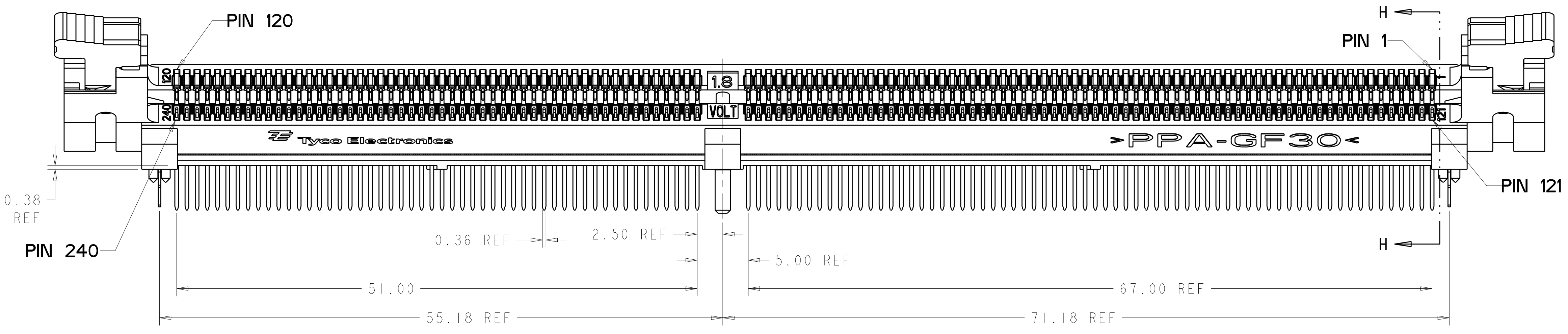


LOC	DIST	REV	DATE	BY	APPD
ES	00	A2	12JUL10	D.S.	S.Y.



TAIL LENGTHS

- 2.67±0.25 FOR 1.60 (.063") THK PCB
- 3.18±0.25 FOR 2.36 (.093") THK PCB
- 4.00±0.25 FOR 3.18 (.125") THK PCB



1 MATERIALS:  
 HOUSING: HIGH TEMPERATURE THERMOPLASTIC, BLACK, UL94 V-0  
 EXTRACTOR: HIGH TEMPERATURE THERMOPLASTIC, NATURAL (OFF WHITE)  
 CONTACTS: COPPER ALLOY  
 RETENTION BARB: COPPER ALLOY

2 INTERFACE FINISH:  
 0.00076 MIN THK GOLD OVER 0.00127 MIN THK NICKEL.  
 0.00038 MIN THK GOLD OVER 0.00127 MIN THK NICKEL.

3 SOLDER TAIL FINISH:  
 0.00300 MIN THK MATTE LEAD FREE PLATING OVER 0.00127 MIN THK NICKEL.

4 RIGHT HOLE IS GLOBAL D-E ORIGIN FOR ALL POSITIONAL TOLERANCES.  
 LEFT AND RIGHT NON-PLATED THRU HOLES ESTABLISH [-E-].

5 FINISHED HOLE SIZE. Ø0.15 MAXIMUM ANNULAR RING.

6 DATUM [-F-] IS CONNECTOR SIDE SURFACE OF PCB.

7 PORE BLOCKER APPLIED TO CONTACT INTERFACE.

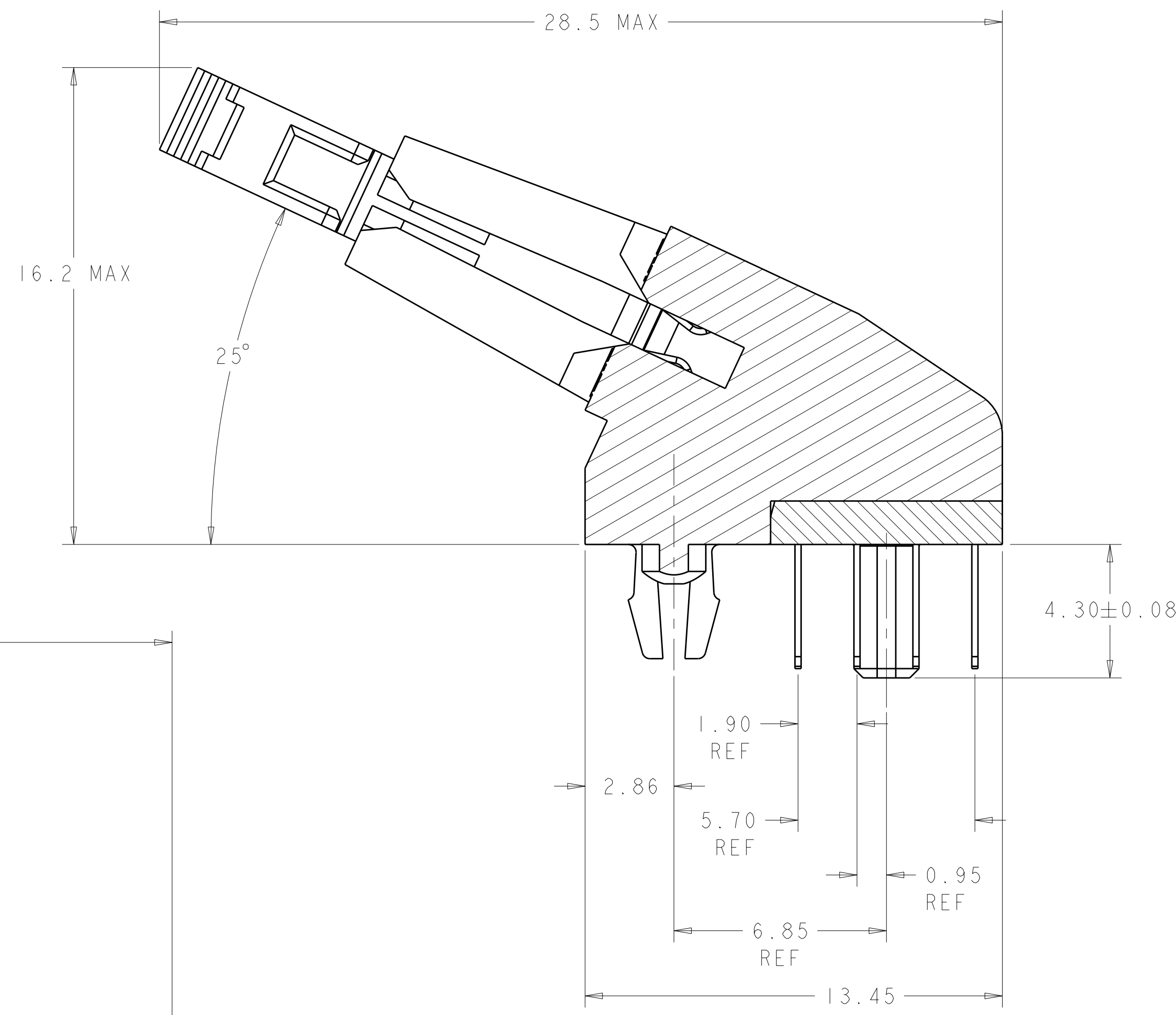
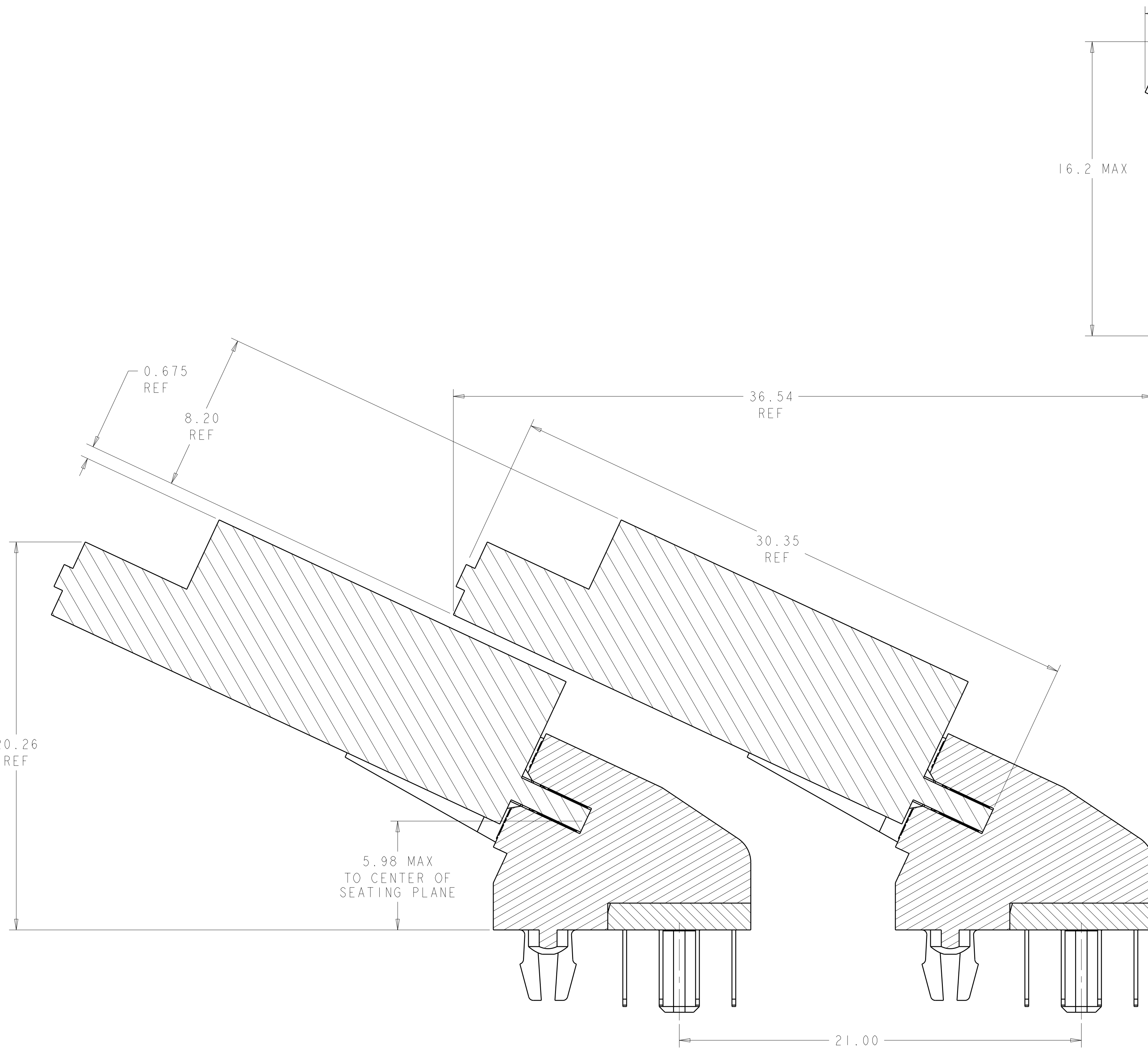
CONTACT GOLD INTERFACE	TAIL LENGTH	PART NUMBER
0.00038 MIN	4.00	1888029-6
0.00038 MIN	3.18	1888029-5
0.00038 MIN	2.67	1888029-4
0.00076 MIN	4.00	1888029-3
0.00076 MIN	3.18	1888029-2
0.00076 MIN	2.67	1888029-1

DIMENSIONS: mm 		TOLERANCES UNLESS OTHERWISE SPECIFIED: 9 PLC ±.25 2 PLC ±.15 3 PLC ±.013 4 PLC ±. ANGLES ±#1		DWN: D. RINGLER 12JUL2005 CHK: M. YEOMANS 18JUL2005 APVD:		Tyco Electronics Corporation SH/CN GuiPing RD 668#	
MATERIAL:		FINISH:		PRODUCT SPEC: 108-2168 APPLICATION SPEC: 114-13130 WEIGHT:		NAME: SOCKET ASSEMBLY 25 DEGREE FB DIMM 240 POSITION SIZE: A11 CAGE CODE: 00779 DRAWING NO: C=1888029	
CUSTOMER DRAWING				SCALE: 1:1		SHEET 1 OF 3 REV A2	

LOC	DIST	REV	DATE	BY	CHK	APPV
ES	00					

REVISIONS		DATE	BY	APPV
-	SEE SHEET 1	-	-	-



SECTION **HH**  
 SCALE 8:1

MINIMUM RECOMMENDED ROW TO ROW SPACING

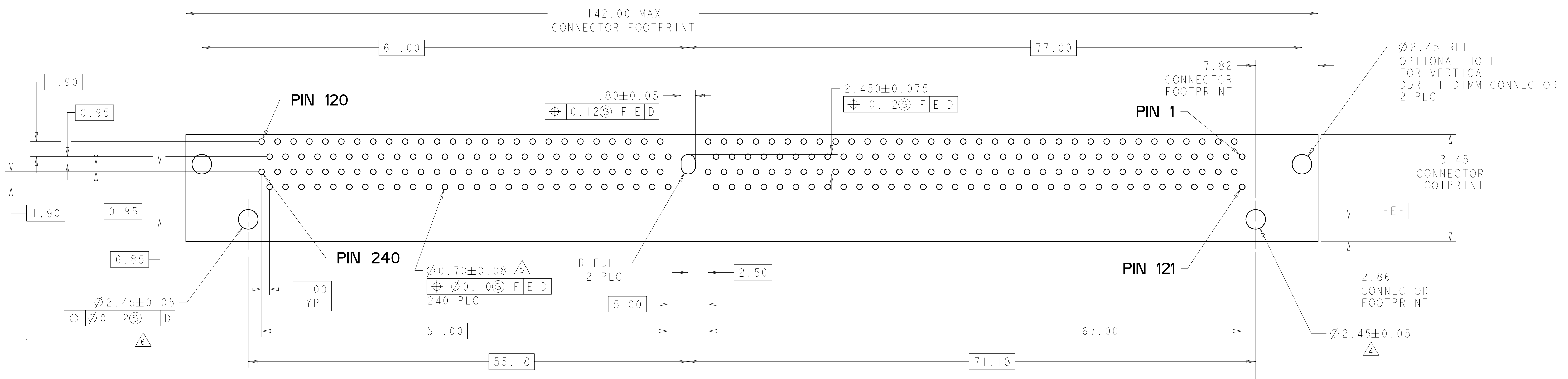
SCALE 8:1

<small>THIS DRAWING IS UNPUBLISHED. RELEASED FOR PUBLICATION. ALL RIGHTS RESERVED. THIS IS SUBJECT TO CHANGE WITHOUT NOTICE AND WITHOUT OBLIGATION. SHOULD BE CONTACTED FOR THE LATEST REVISION.</small>		DWN: D. RINGLER 12 JUL 2005 CHK: M. YEOMANS 18 JUL 2005 APPV: -	Tyco Electronics Tyco Electronics Corporation SH/CN GuiPing RD 668#
DIMENSIONS: mm 	TOLERANCES UNLESS OTHERWISE SPECIFIED: 9 PLC ± 1 PLC ±0.25 2 PLC ±0.15 3 PLC ±0.13 4 PLC ± ANGLES ±° FINISH ±#1	PRODUCT SPEC: 108-2168 APPLICATION SPEC: 114-13130 WEIGHT: - CUSTOMER DRAWING	NAME: SOCKET ASSEMBLY 25 DEGREE FB DIMM 240 POSITION SIZE: A1 CAGE CODE: 00779 DRAWING NO: C=1888029 RESTRICTED TO: - SCALE: 1:1 SHEET 2 OF 3 REV A2

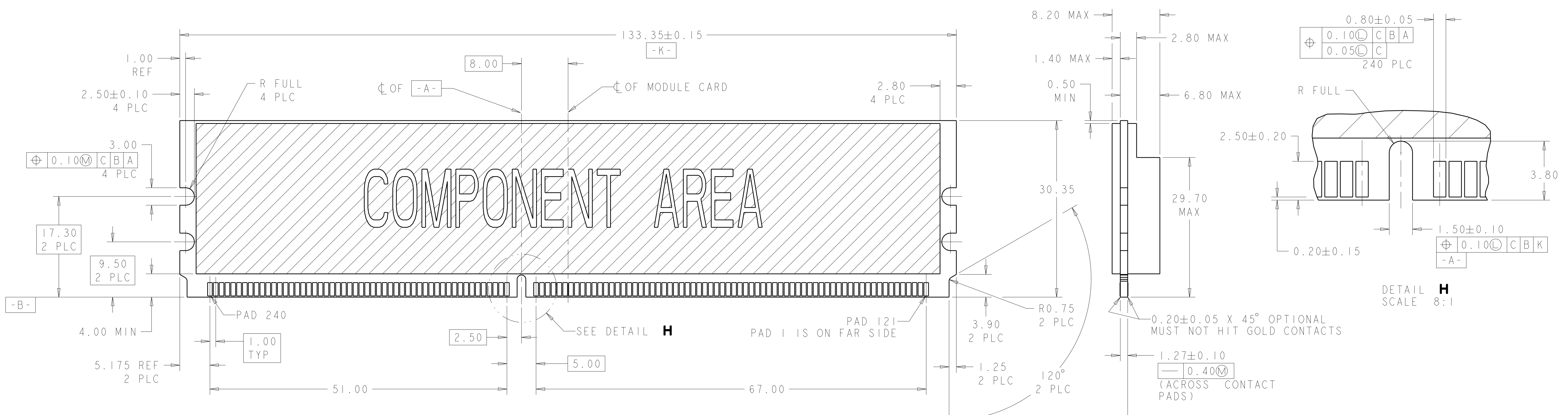
LOC	DIST	REV	DATE	BY	APPD
ES	00				

REVISIONS		DATE	BY	APPD
-	SEE SHEET 1	-	-	-



RECOMMENDED PCB HOLE LAYOUT  
 VIEWED FROM CONNECTOR SIDE  
 SCALE 4:1



RECOMMENDED MODULE LAYOUT  
 SCALE 3:1

<small>THIS DRAWING IS UNPUBLISHED. RELEASED FOR PUBLICATION BY TYCO ELECTRONICS CORPORATION, ALL RIGHTS RESERVED.</small>		DWN: D. RINGLER 12 JUL 2005 CHK: M. YEOMANS 18 JUL 2005	Tyco Electronics Tyco Electronics Corporation SH/CN GuiPing RD 668#
DIMENSIONS: mm 	TOLERANCES UNLESS OTHERWISE SPECIFIED: 9 PLC ±0.25 1 PLC ±0.15 5 PLC ±0.13 4 PLC ±0.10 ANGLES ±1°	NAME: SOCKET ASSEMBLY 25 DEGREE FB DIMM 240 POSITION PRODUCT SPEC: 108-2168 APPLICATION SPEC: 114-13130	SIZE: A1 CAGE CODE: 00779 DRAWING NO: C=1888029 RESTRICTED TO: -
MATERIAL: -	FINISH: -	WEIGHT: -	SCALE: 1:1 SHEET 3 OF 3 REV A2

## X-ON Electronics

Largest Supplier of Electrical and Electronic Components

*Click to view similar products for te connectivity manufacturer:*

Other Similar products are found below :

[570416-000](#) [CLTEQ-M81CE-SSRELAY-4-20V](#) [4-1633138-8](#) [D38999/24FJ4AN](#) [4-1195131-0](#) [650069-000](#) [SMD100-2](#) [2EDL4CM](#)  
[DTS20W19-11PD-3028](#) [DTS20W19-11PD-3028-LC](#) [DTS20W19-32SD-3028-LC](#) [DTS20W19-32SD-3028](#) [NC6-P104-06](#) [TXR64AB90-](#)  
[3616AI](#) [DTS26F21-41HE](#) [DTS26F21-41AE](#) [DTS26F21-41PE-LC](#) [DTS26F21-11SE-3028-LC](#) [D38999/24WF32JE](#) [D38999/24WF32SE-LC](#)  
[DTS24W19-32HE](#) [5-2027513-8](#) [D38999/20JB35HA](#) [D38999/24WJ20PA](#) [164-8033-08](#) [D38999/24FF32JE](#) [D38999/24FF32SE-LC](#)  
[D38999/24WF32JB](#) [D38999/24WG11HA](#) [D38999/24WG11HN](#) [MS27467T21F11H](#) [DJT16E21-11HA](#) [DTS24F19-32HE](#) [1-532955-3](#)  
[DTS20W19-32SA-3028-LC](#) [DTS24F19-11SC-3028-LC](#) [DTS24F19-11SC-3028](#) [DJT14E13-98HB](#) [D38999/20WC8BB](#) [1-330599-5](#)  
[DTS24F21-41HN-LC](#) [DTS24F21-41HN](#) [DTS24F21-41AN](#) [DTS24F21-39HN](#) [DTS24F21-41PN-LC](#) [AFD50-10-6SN-1A-LC](#) [DBAS 70-7-0](#)  
[SN 090-1A SCC](#) [DJT10F17-26HC](#) [DTS24W19-32HB](#) [ACT20JE99HA](#)