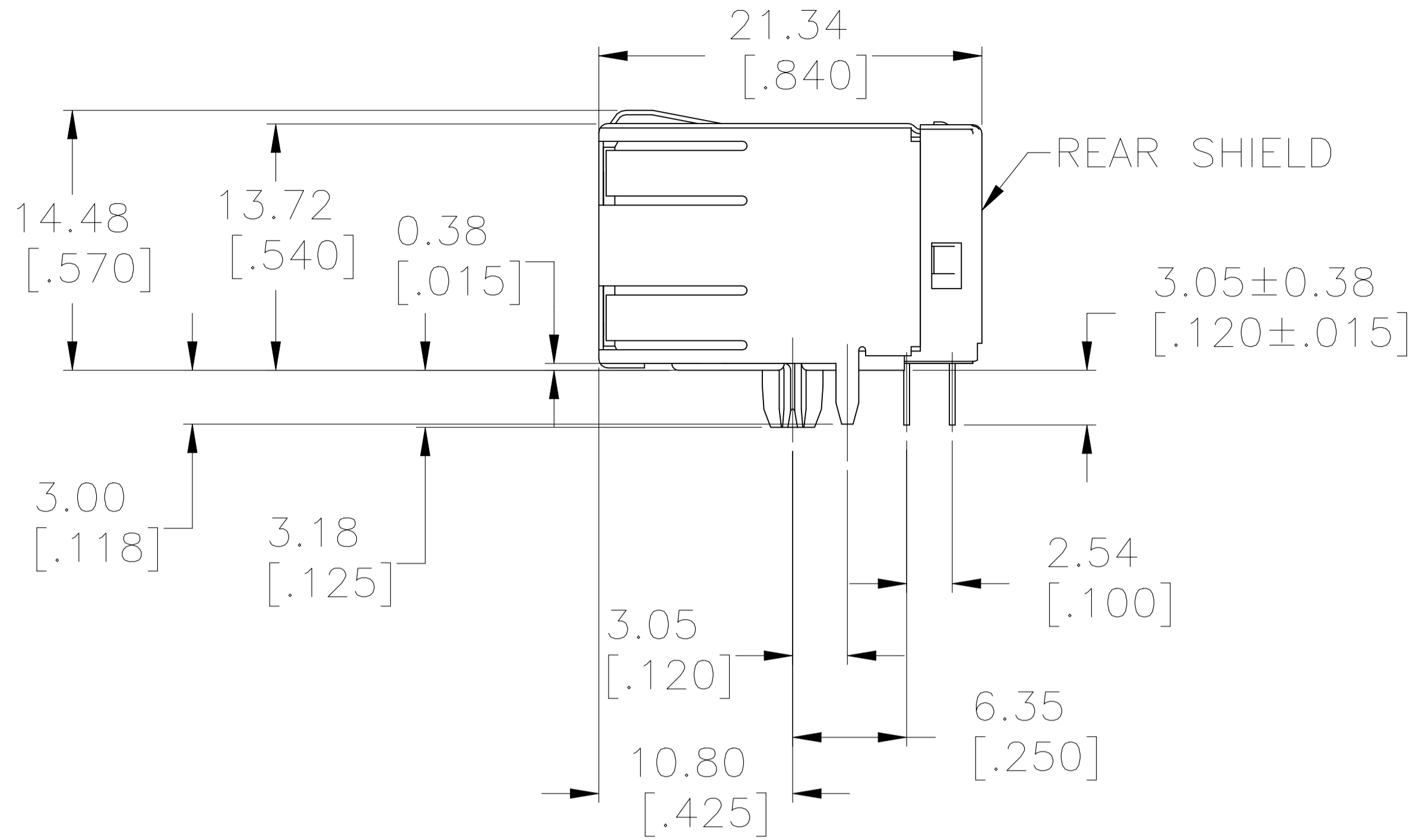
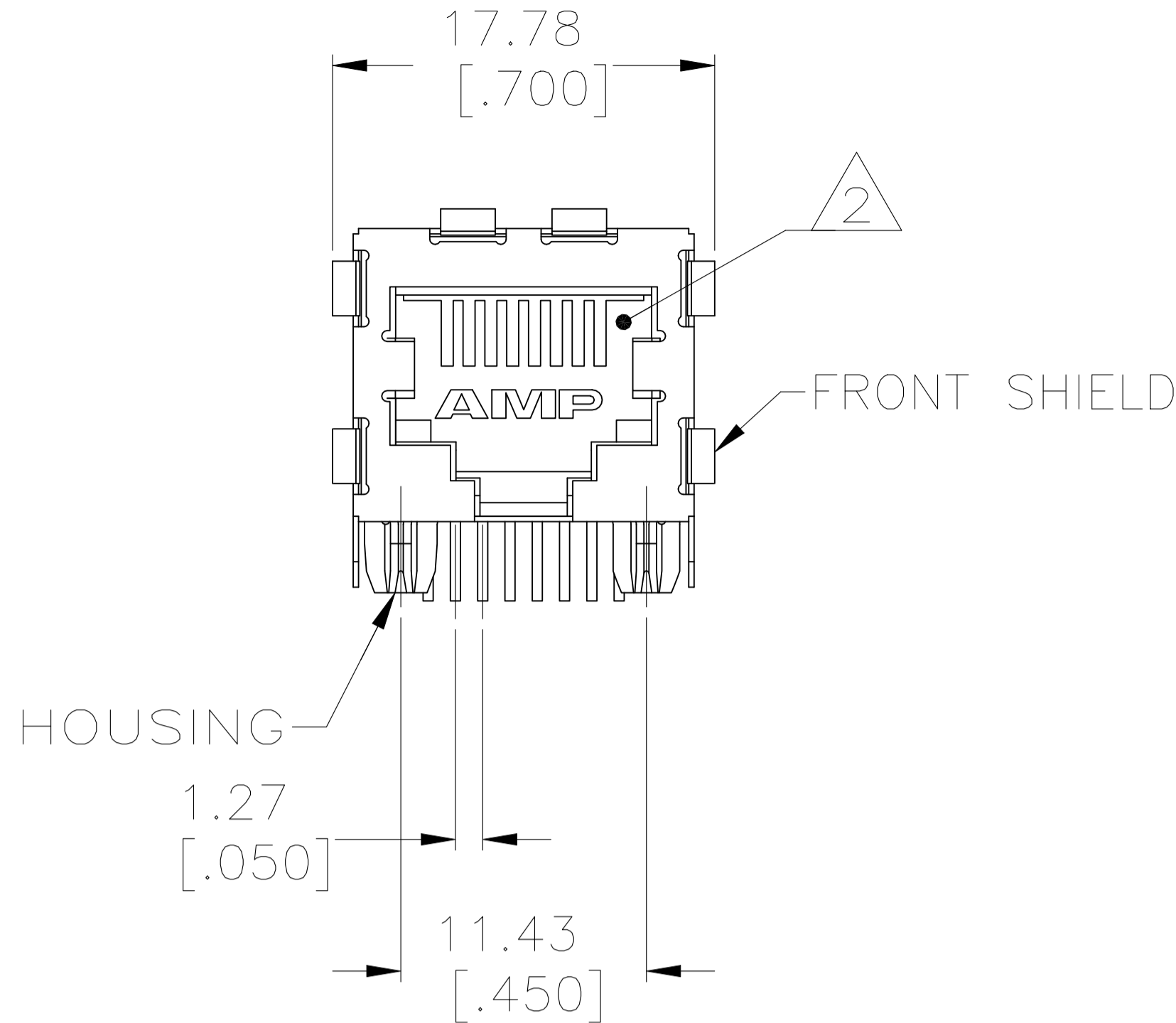
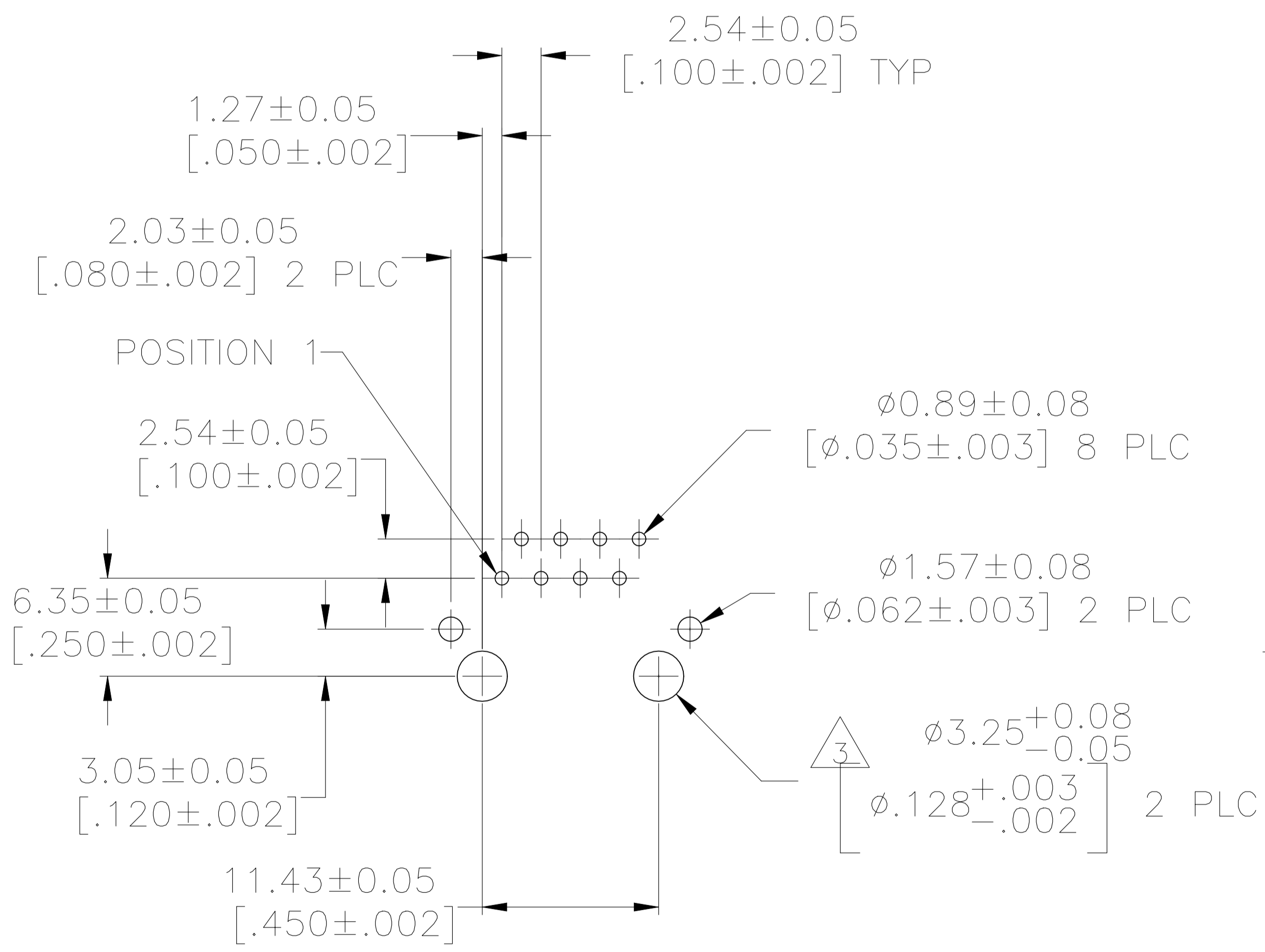


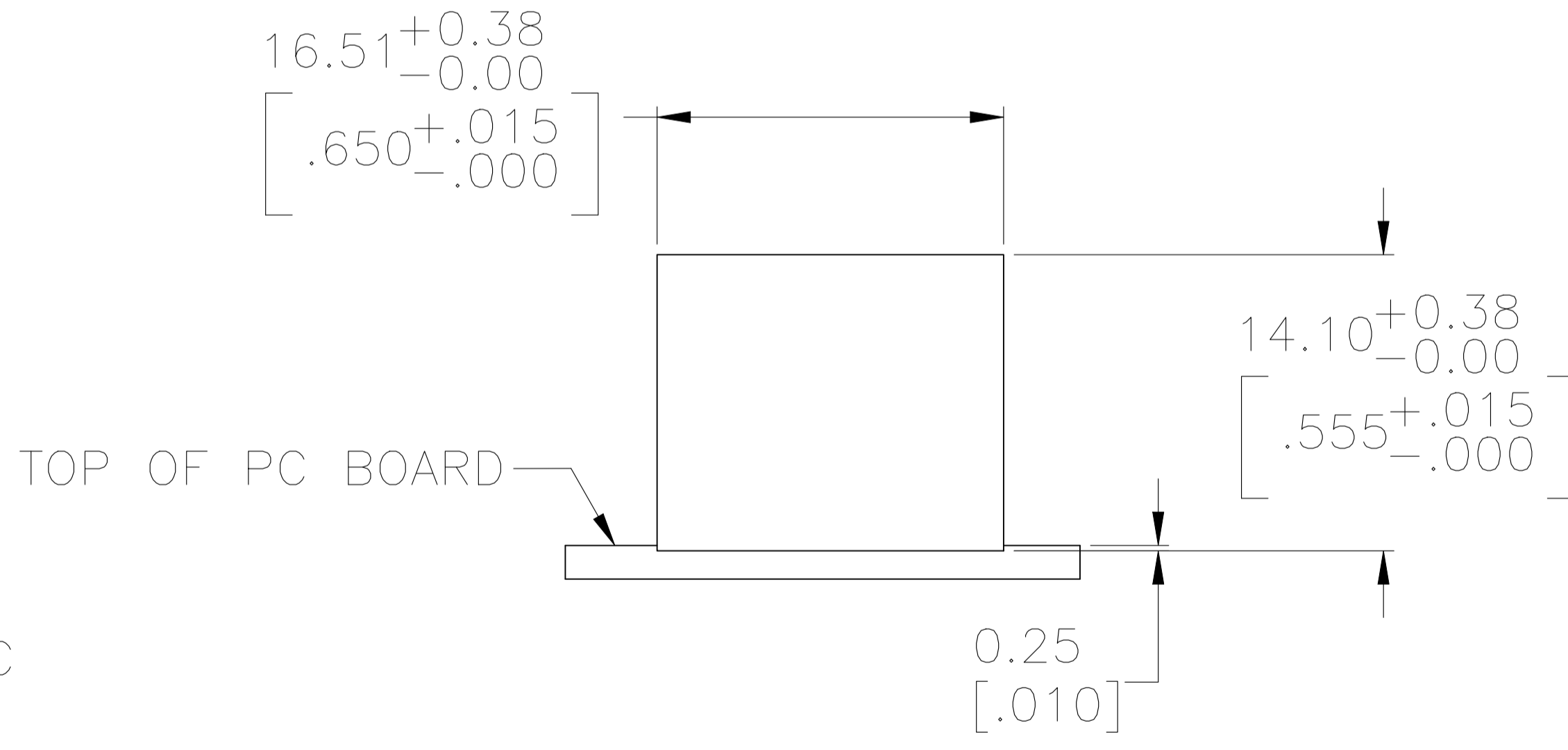
REVISIONS					
REV	DATE	DESCRIPTION	BY	CHK	APP'D
C2	13DEC2020	ECR-19-014657	RR	SZ	



- MATERIAL: HOUSING - NYLON, COLOR: BLACK, UL 94V-0.
OVERMOLDED TERMINAL ARRAY - PBT, COLOR: BROWN.
TERMINALS - 0.33[.013] THICK PHOS BRONZE PLATED WITH 1.27μm[.000050] MINIMUM THICK HARD GOLD IN LOCALIZED AREA AND 3.81μm [.000150] MINIMUM THICK TIN IN SOLDER AREA OVER 1.27μm[.000050] MINIMUM THICK NICKEL UNDERPLATE.
SHIELDS - 0.25[.010] THICK COPPER ALLOY PLATED WITH 1.27μm[.000050] MINIMUM NICKEL AND 2.03μm[.000080] MINIMUM HOT TIN DIP ON PCB GROUND TABS.
- JACK CAVITY CONFORMS TO FCC RULES AND REGULATIONS, PART 68 SUBPART F.
- USE #30 DRILL BIT OR 3.25mm DRILL BIT WHEN PRODUCING THESE PCB HOLES.
- DIELECTRIC WITHSTANDING VOLTAGE BETWEEN SHIELD AND TERMINAL IS 1500 VAC



RECOMMENDED PC BOARD LAYOUT COMPONENT SIDE



RECOMMENDED PC BOARD LAYOUT COMPONENT SIDE

1888068-1
PART NUMBER

THIS DRAWING IS A CONTROLLED DOCUMENT.		DWG: R.GRZYBOWSKI 27JUL05	1888068-1	
DIMENSIONS: mm [INCHES]		CHK: J.WESTMAN 27JUL05	PART NUMBER	
TOLERANCES UNLESS OTHERWISE SPECIFIED:		APVD: J.WESTMAN 27JUL05	TE Connectivity	
0 PLC ± -	1 PLC ± -	NAME: J.WESTMAN	MODULAR JACK ASY, SINGLE PORT, 8 P, SHIELDED, REVERSE PANEL GROUND TABS, CAT 5e	
2 PLC ± 0.25[.01]	3 PLC ± 0.13[.005]	PRODUCT SPEC: 108-1163-2	APPLICATION SPEC	
4 PLC ± -	ANGLES ± -	SIZE: 114-2048	SCALE: 4:1	
MATERIAL: SEE NOTE 1	FINISH: SEE NOTE 1	WEIGHT: 0.000000	DRAWING NO: A100779	SHEET 1 of 1
CUSTOMER DRAWING		SCALE: 4:1	REV: C2	

X-ON Electronics

Largest Supplier of Electrical and Electronic Components

Click to view similar products for [Modular Connectors / Ethernet Connectors](#) category:

Click to view products by [TE Connectivity](#) manufacturer:

Other Similar products are found below :

[8949-H88/06BLKA/SN](#) [74441-0010/BKN](#) [MP1010RX-1000](#) [MP44RX-1000](#) [PHJ-4P4C-1-V-4](#) [PHP-6P6C-5](#) [GAX-3-66](#) [GAX-8-62](#) [GDCX-PA-66-50](#) [GDCX-PN-64](#) [GDCX-PN-66](#) [GDCX-PN-66-50](#) [GDLX-A-66](#) [GDLX-N-66](#) [GDLX-S-66](#) [GDLX-S-88K](#) [GDTX-S-88-50](#) [GDX-PA-1010](#) [GLX-N-1010M-BLK](#) [GLX-S-88M-BLK](#) [GMX-N-1010](#) [GMX-S-1010](#) [GMX-S-66](#) [GMX-SMT4-N-88](#) [GPX-2-64](#) [GSGX-N-2-88](#) [GSGX-N-4-88](#) [GSX-NS2-88-3.05](#) [GSX-NS2-88-3.05-50](#) [GSX-NS-88-3.05-50](#) [PT-108A-8C-UL](#) [PT-J951-8C](#) [PTS-J531-8CS-50UL](#) [1-1775629-2](#) [A-2014-0-4](#) [GWLX-S-88-GR](#) [GWLX-S9-88-YG](#) [DC-1021-8-WH-6](#) [1300530003](#) [1324640-4](#) [RJ11FTVC2G](#) [RJ11FTVC2N](#) [RJFTVX2SA1G](#) [132764-001](#) [1413235](#) [MP88X-1000](#) [MPS88RX-5000](#) [E5288-S000K3-L](#) [E5908-15A242-L](#) [155302-001](#)