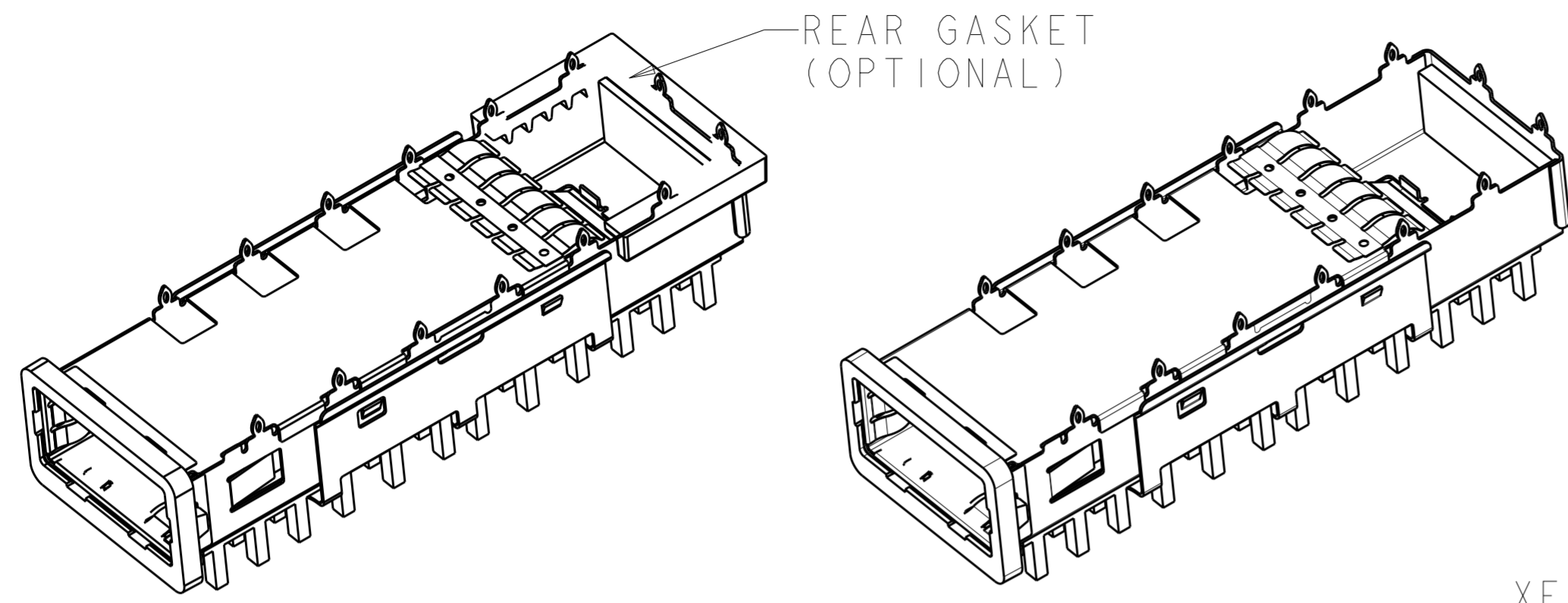


THIS DRAWING IS UNPUBLISHED. RELEASED FOR PUBLICATION 20
 © COPYRIGHT 20 BY - ALL RIGHTS RESERVED.

LOC	DIST	REVISIONS					
GP	00	P	LTR	DESCRIPTION	DATE	DWN	APVD
		C1		REVISED PER ECO-11-012169	15JUN2011	KS	MQ.W
		C2		REV PER ECR-11-021282	19OCT2011	DZ	MQ.W
		D		REVISED PER ECO-12-016753	27SEP2012	JY	AC
		D1		REVISED PER ECO-16-004629	25MAR2016	PP	SH

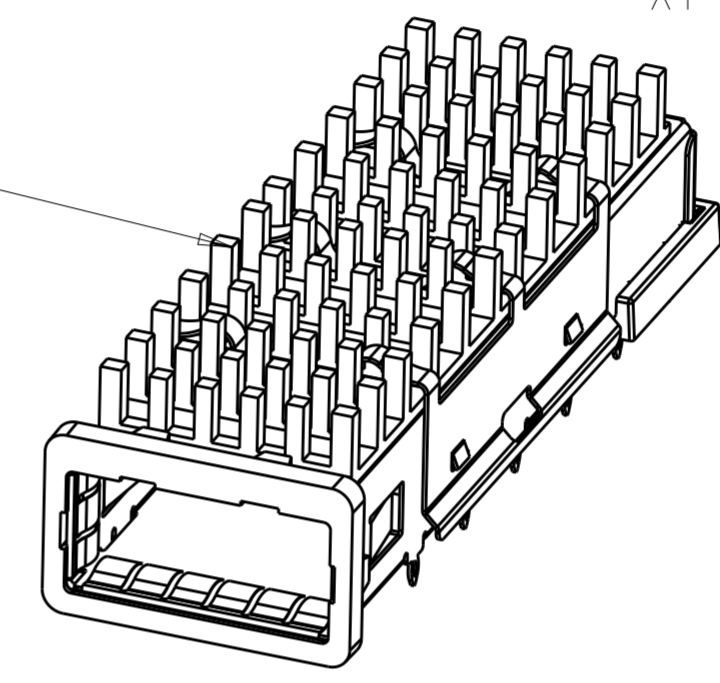


1888116-1/2/3/4
SCALE 2:1

1888116-5
SCALE 2:1

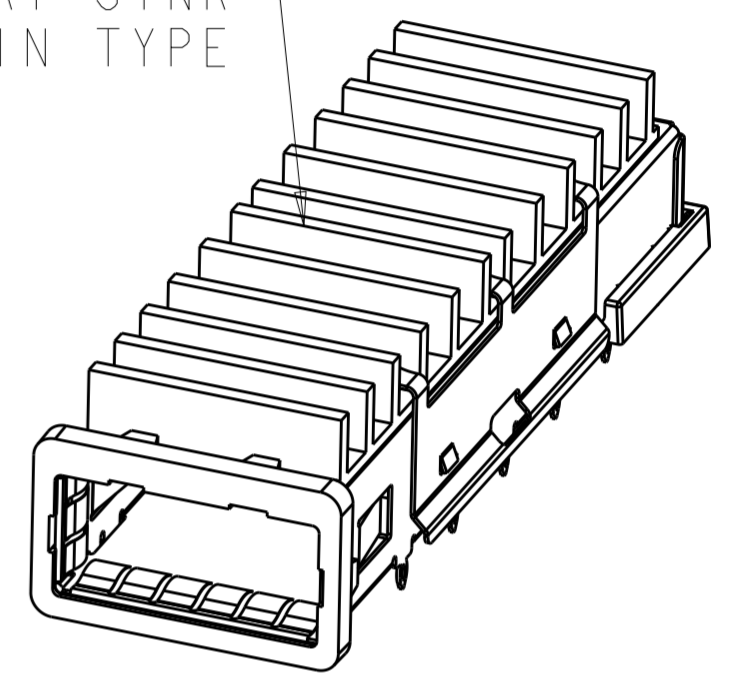
1. MATES WITH XFP MSA COMPLIANT TRANSCEIVERS.
2. SEE COMPONENT DRAWINGS FOR COMPONENT DIMENSIONS AND INFORMATION.

XFP HEAT SINK
PIN TYPE

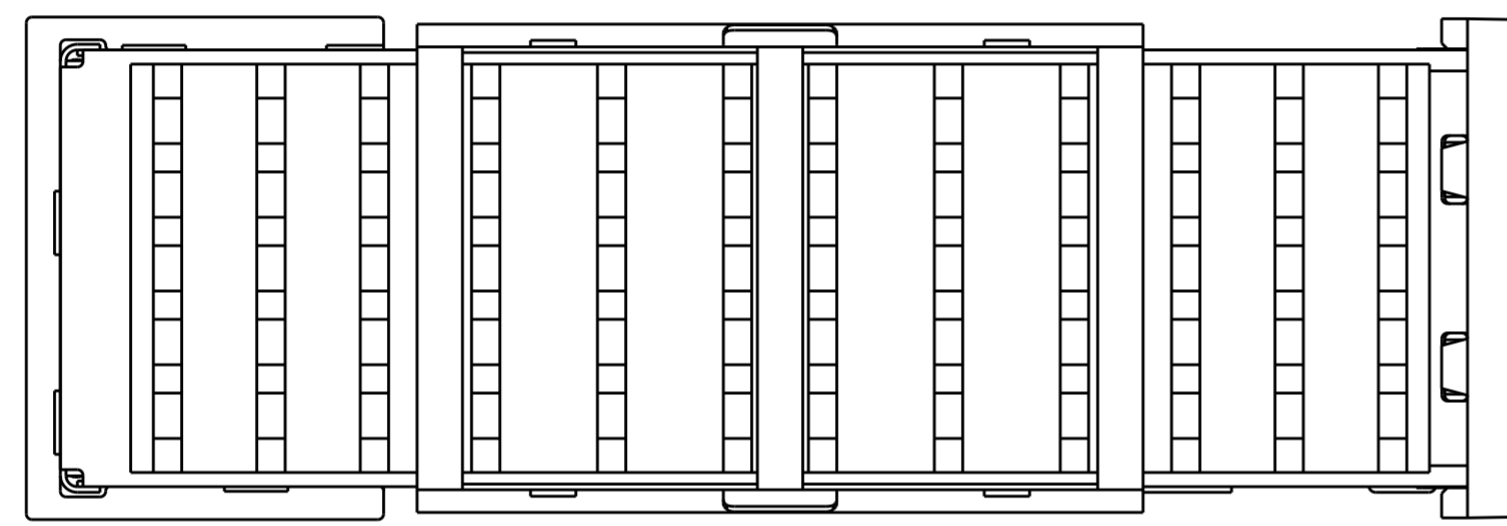


1888116-1, -2, -5
SCALE 2:1

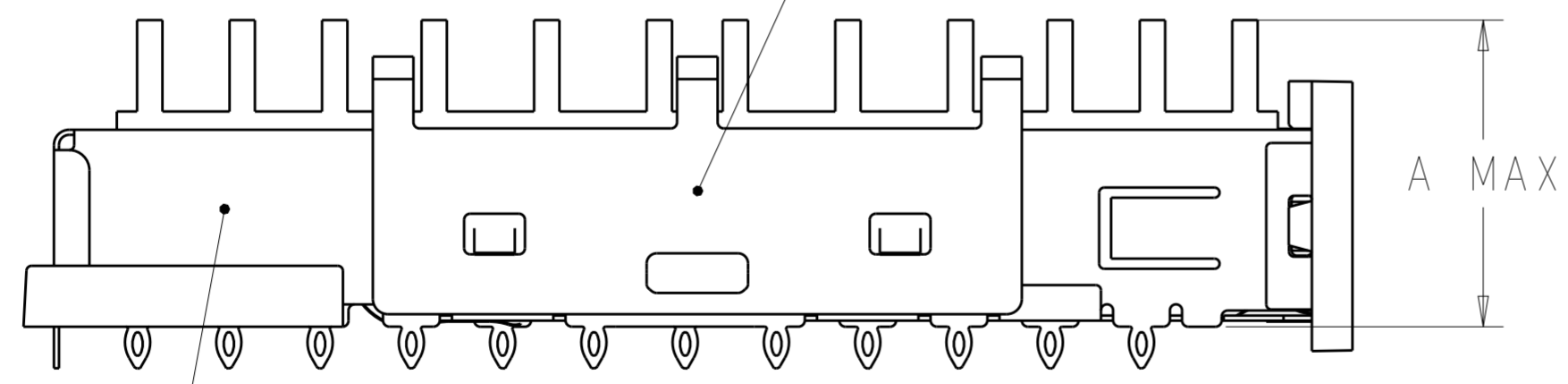
XFP HEAT SINK
FIN TYPE



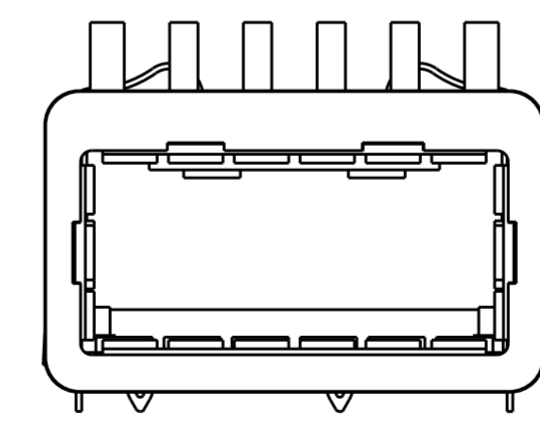
1888116-3, -4
SCALE 2:1



XFP HEAT SINK CLIP



XFP CAGE ASSEMBLY



REAR GASKET	A MAX	APPLICATION	PART NUMBER
W/O	15.8	SAN	1888116-5
W/	13.6	PCI	1888116-4
W/	15.8	SAN	1888116-3
W/	13.6	PCI	1888116-2
W/	15.8	SAN	1888116-1

THIS DRAWING IS A CONTROLLED DOCUMENT.

DIMENSIONS: mm	TOLERANCES UNLESS OTHERWISE SPECIFIED: 0 PLC ± 1 PLC ± 2 PLC ± 3 PLC ± 4 PLC ± ANGLES ± FINISH	DWN J.GERACE 28NOV05	TE Connectivity
		CHK J.KOPPENHEFFER 28NOV05	
		APVD M.WALMSLEY 28NOV05	NAME XFP KIT ASSEMBLY
		PRODUCT SPEC 108-2127	
		APPLICATION SPEC 114-13096	
MATERIAL		WEIGHT	SIZE CAGE CODE DRAWING NO RESTRICTED TO
			A200779 C-1888116
		CUSTOMER DRAWING	SCALE 4 SHEET 1 OF 1 REV D1

X-ON Electronics

Largest Supplier of Electrical and Electronic Components

Click to view similar products for [I/O Connectors](#) category:

Click to view products by [TE Connectivity](#) manufacturer:

Other Similar products are found below :

[571763P](#) [72.250.1628.2](#) [72.250.2428.2](#) [74720-0505](#) [76.350.0729.0](#) [76871-1403](#) [FCN-244F080-G/1](#) [FCN-260A9920](#) [MP-5T180MUNNA-005](#)
[PCR-E36PM](#) [PCS-XE26MA+](#) [G38A71314B](#) [1571250010](#) [157-22500-3](#) [MS3471L14-19P L/C](#) [91-569786-35H](#) [172501-4002](#) [172501-6002](#)
[FCN-260C008-A/L0](#) [FCN-260C024-AL0](#) [FCN-261Z008](#) [2000314-1](#) [200331-1](#) [PCR-E36FC+](#) [PCS-E28FS+](#) [PCS-XE26SLFD+](#) [PCS-](#)
[XE26SLFDT+](#) [G730VID08BDC24](#) [U90B2054081210](#) [UE86K842720321](#) [38113800006](#) [DP3AR020WQ1R200](#) [Z4.102.0680.0](#) [500-1040](#)
[500-1052](#) [500-1054](#) [ZP-4008-66L](#) [0709821002](#) [10-565995-597N](#) [DX40-20P\(55\)](#) [5554841-1](#) [U90B3054061110](#) [U65-E04-4020](#)
[ZPF00000000097891](#) [557-262M2-06C](#) [747360449](#) [10099439-003C-TRLF](#) [10137239-0021LF](#) [E9320-001-01](#) [10137239-0011LF](#)