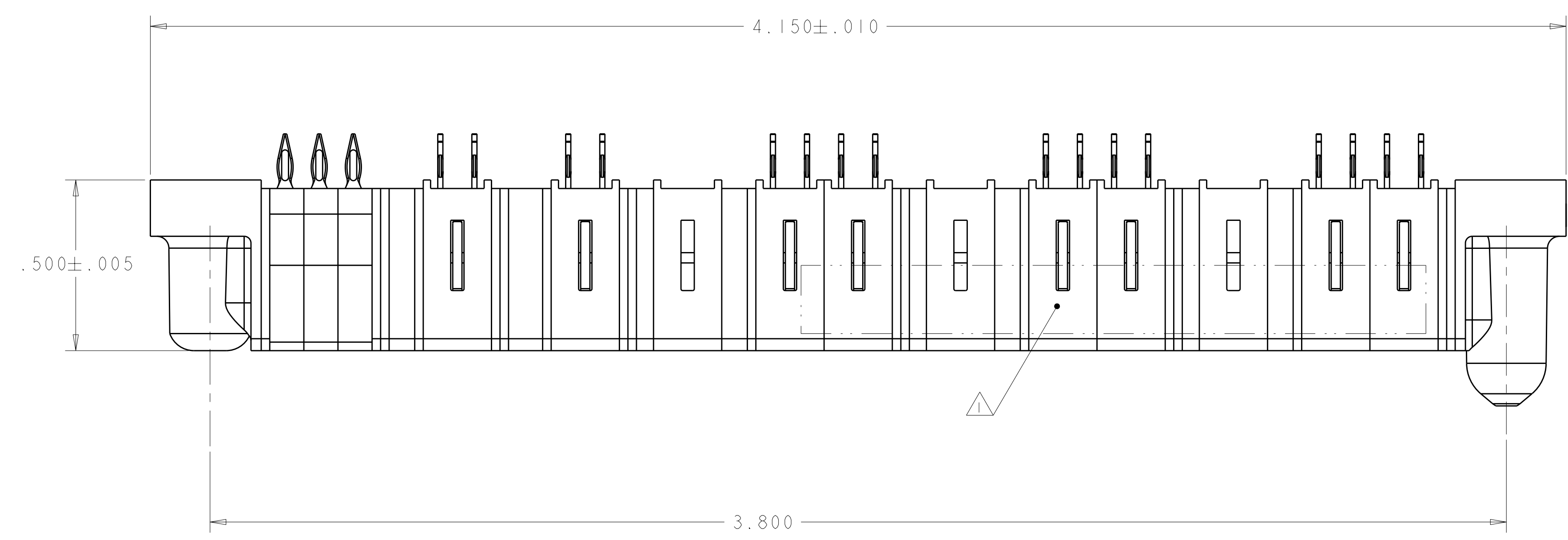
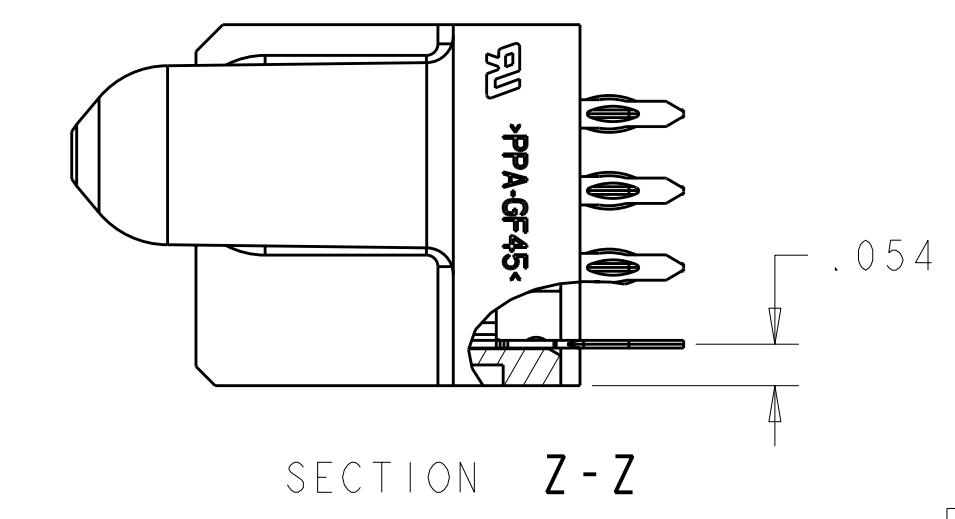
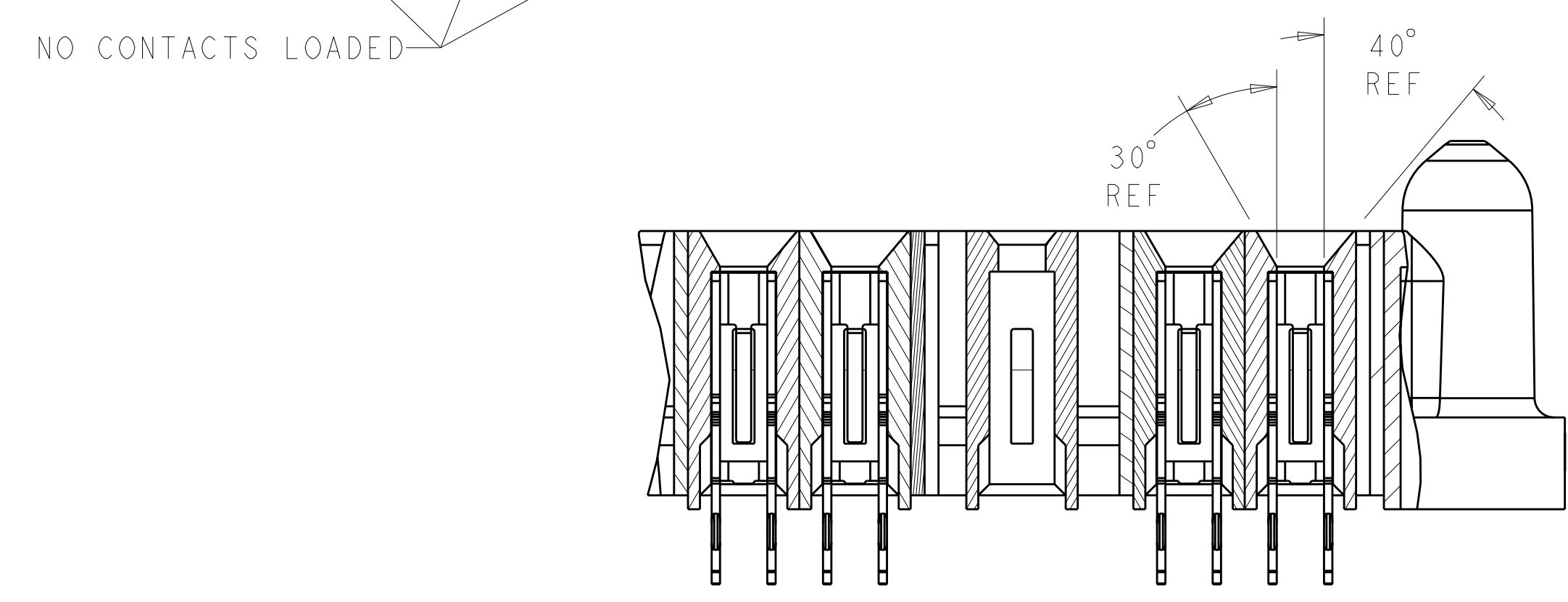
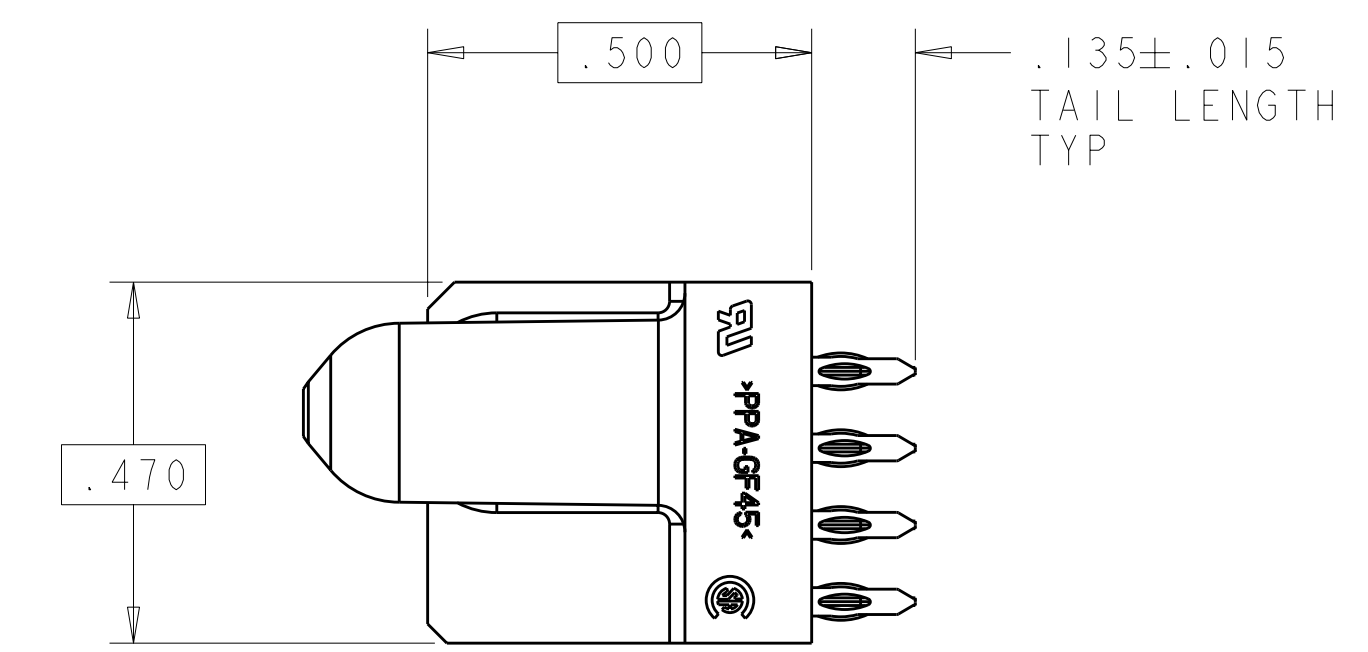
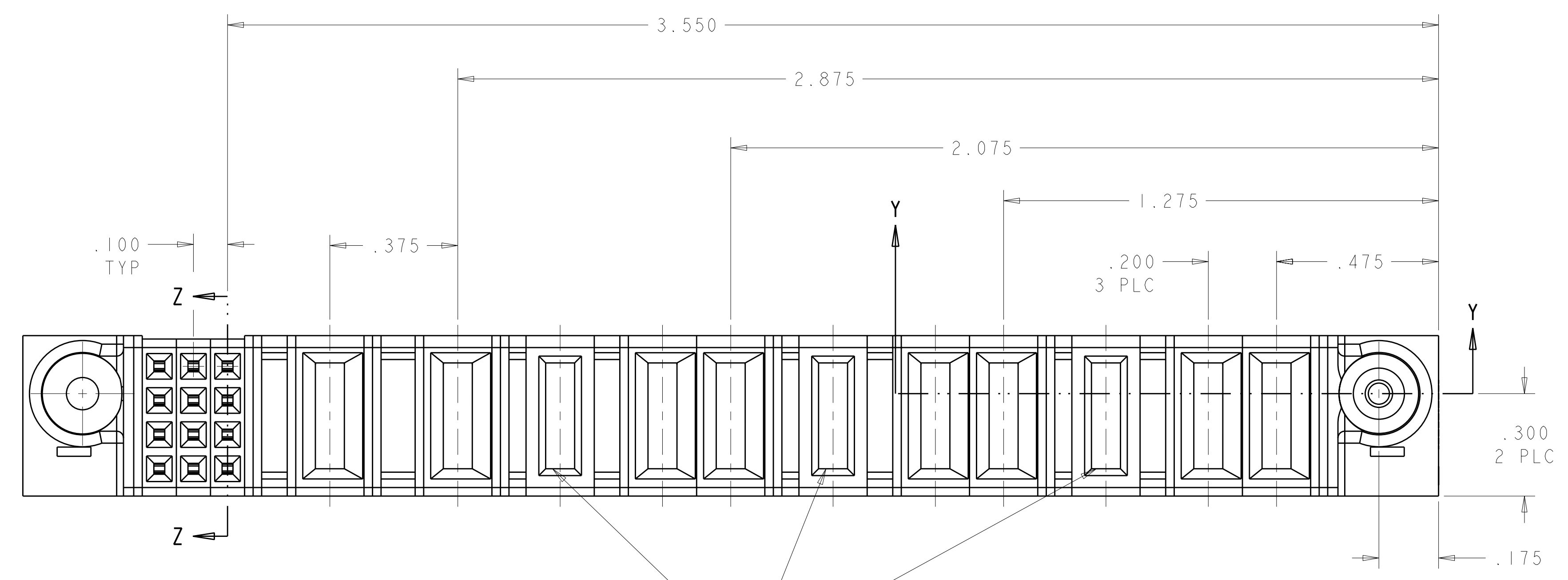


LOC	DIST	REVISIONS				
ES	00	REV	DESCRIPTION	DATE	DWN	APVD
		A	REV PER ECR-08-018624	25JUL2008	CZ	SY



- △ "AMP", PART NUMBER, AND DATE CODE TO BE MARKED IN AREA SHOWN
- △ MATERIAL: HOUSING - GLASS FILLED HIGH TEMP THERMO PLASTIC, UL94 V-0
 SIGNAL CONTACT - HIGH CONDUCTIVITY COPPER ALLOY
 POWER CONTACT - HIGH CONDUCTIVITY COPPER ALLOY
- △ CONTACT PLATING: SIGNAL CONTACTS - .000050 MIN Ni UNDER ALL
 .000030 MIN Au ON CONTACT AREA
 .000100 MIN Sn AT PCB INTERFACE
 POWER CONTACTS - .000050 MIN Ni UNDER ALL
 .000030 MIN Au ON CONTACT AREA
 .000100 MIN Sn AT PCB INTERFACE
- △ MECHANICAL CONNECTOR KEEP OUT ZONE
- △ DATUM AND BASIC DIMENSIONS ESTABLISHED BY CUSTOMER
- △ PCB - ALL HOLE DIAMETERS ARE FINISHED HOLE SIZES
- △ PCB - .0453 ± .0010 DRILLED HOLES PLATED WITH .0003 MIN Sn OVER
 .001 TO .003 CU PLATING TO ACHIEVE A .040 DIA HOLE



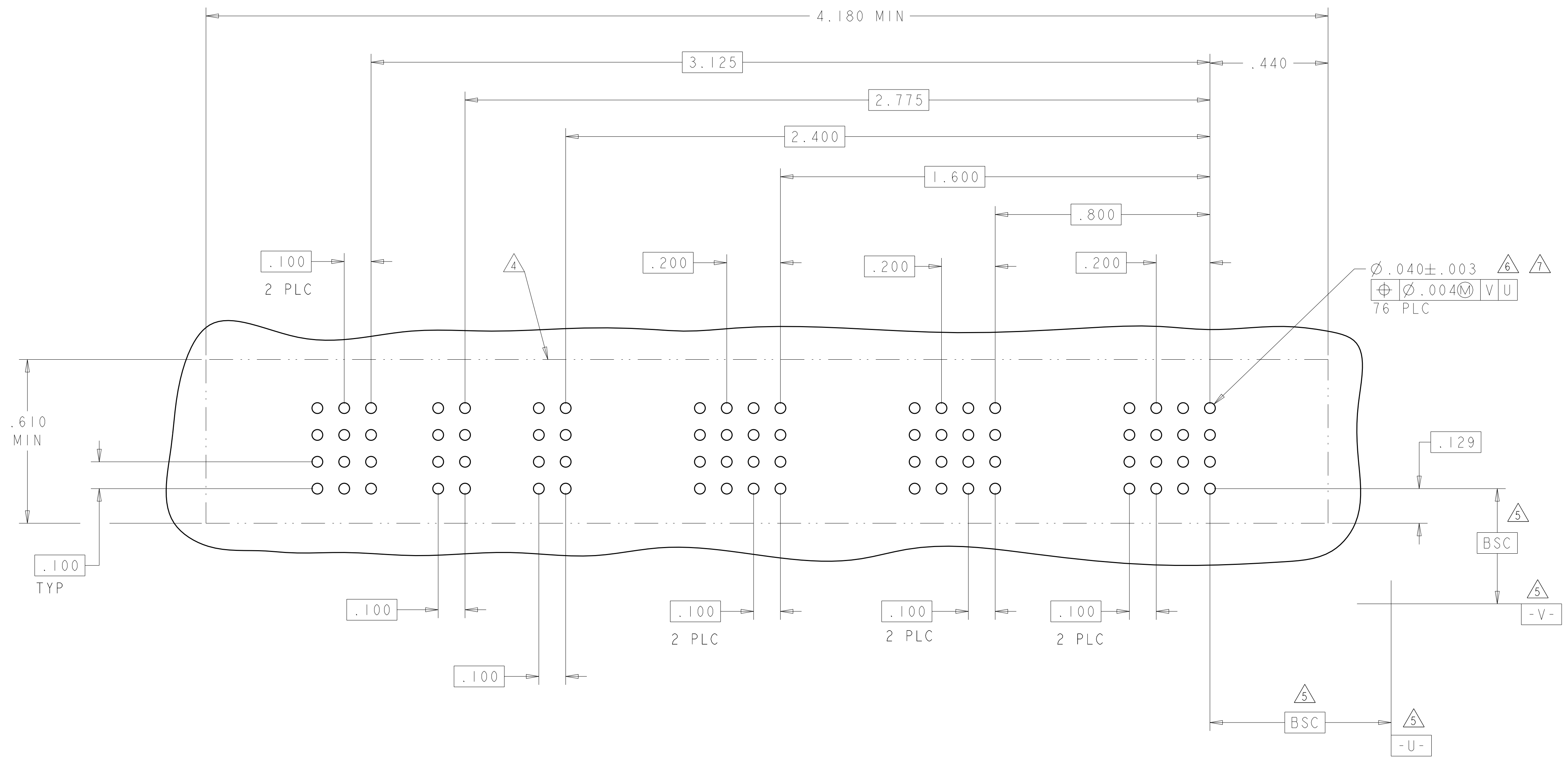
IIP + 12S	1888123-2
DESCRIPTION	PART NUMBER

DIMENSIONS: INCHES 9 PLC ±.01 8 PLC ±.01 5 PLC ±.005 4 PLC ±.0020 ANGLES #2		TOLERANCES UNLESS OTHERWISE SPECIFIED: 9 PLC ±. 8 PLC ±.01 5 PLC ±.005 4 PLC ±.0020 ANGLES #2		DWN: C. ZHOU 29FEB2008 CHK: S. ZHAO 29FEB2008 APVD: S. YAO		Tyco Electronics Tyco Electronics incorporation Shanghai, P.R.China, 200233	
MATERIAL:		FINISH:		NAME: S. YAO PRODUCT SPEC: 108-1973 APPLICATION SPEC: 114-13038		SIZE: CAGE CODE DRAWING NO: A100779C=1888123-2 RESTRICTED TO:	
CUSTOMER DRAWING				SCALE: 4:1		SHEET 1 OF 2 REV A	

LOC	DIST	REV	DATE	BY	APPD
ES	00				
REVISIONS			DESCRIPTION	DATE	BY
			SEE SHEET 1		

PART NUMBER	ROWS	SIGNAL			POWER										
		3	2	1	P11	P10	P9	P8	P7	P6	P5	P4	P3	P2	P1
1888123-2	D C B A	AP	AP	AP	GS	GS		GS	GS		GS	GS		GS	GS
		AP	AP	AP											
		AP	AP	AP											
		AP	AP	AP											
11P + 12S															

NO CONTACTS LOADED



CODE	DESCRIPTION
GS	POWER CONTACT, STD
AP	SIGNAL CONTACT
CONTACT TABLE	

DIMENSIONS: INCHES 		TOLERANCES UNLESS OTHERWISE SPECIFIED: 9 PLC ±. 1 PLC ±.01 5 PLC ±.005 4 PLC ±.0020 ANGLES #2		DWN: C. ZHOU 29FEB2008 CHK: S. ZHAO 29FEB2008 APVD: S. YAO NAME: S. YAO		Tyco Electronics Corporation Shanghai, P.R.China. 200233	
MATERIAL: - FINISH: -		PRODUCT SPEC: 108-1973 APPLICATION SPEC: 114-13038		SIZE: 114-13038 WEIGHT: -		RESTRICTED TO: -	
CUSTOMER DRAWING				SCALE: 4:1		SHEET: 2 OF 2 REV: A	

X-ON Electronics

Largest Supplier of Electrical and Electronic Components

Click to view similar products for [Power to the Board](#) category:

Click to view products by [TE Connectivity](#) manufacturer:

Other Similar products are found below :

[10131318-08512GRLF](#) [6450171-4](#) [6450552-7](#) [6600323-8](#) [6643429-1](#) [6646040-2](#) [6651939-1](#) [6766604-1](#) [120959-1](#) [1393557-2](#) [1393532-2](#)
[1393532-3](#) [1393532-4](#) [1393557-1](#) [1600812-5](#) [1-6450861-2](#) [1645595-1](#) [1743490-1](#) [1744132-7](#) [1761122-1](#) [1766169-1](#) [1766250-1](#) [18362](#)
[1892109-1](#) [1-967627-6](#) [2226808-1](#) [2-6450860-5](#) [2-6450860-6](#) [2-6450870-0](#) [93003-0502](#) [953552-1](#) [1-6450161-4](#) [1-6450850-6](#) [1645526-2](#) [1-](#)
[6600130-0](#) [1743419-1](#) [1766150-1](#) [2005243-2](#) [211110-1](#) [2-6600130-2](#) [TE34-12-16P-F0](#) [51700-10201602AALF](#) [5-6450830-6](#) [5646956-4](#)
[36662-0005](#) [40585-3000](#) [4-6450830-9](#) [4-6600333-3](#) [51142-0214](#) [10125416-4050LF](#)