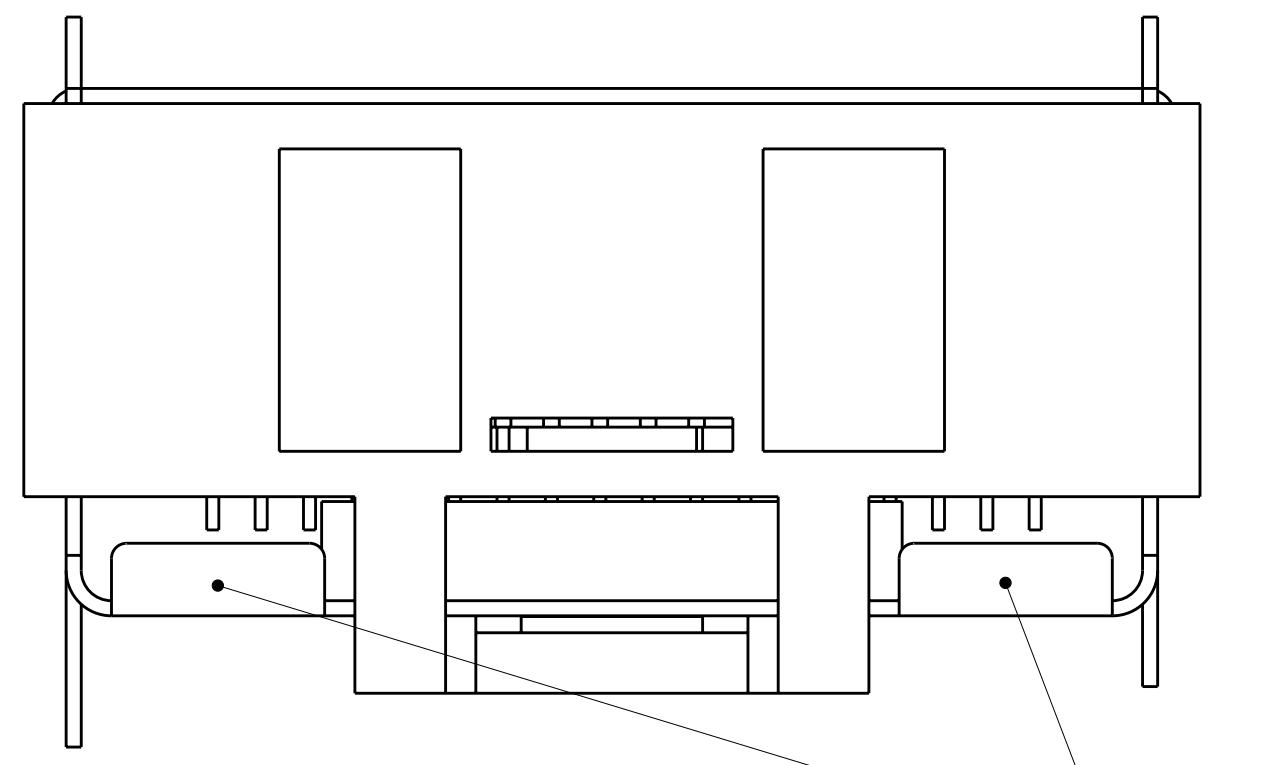
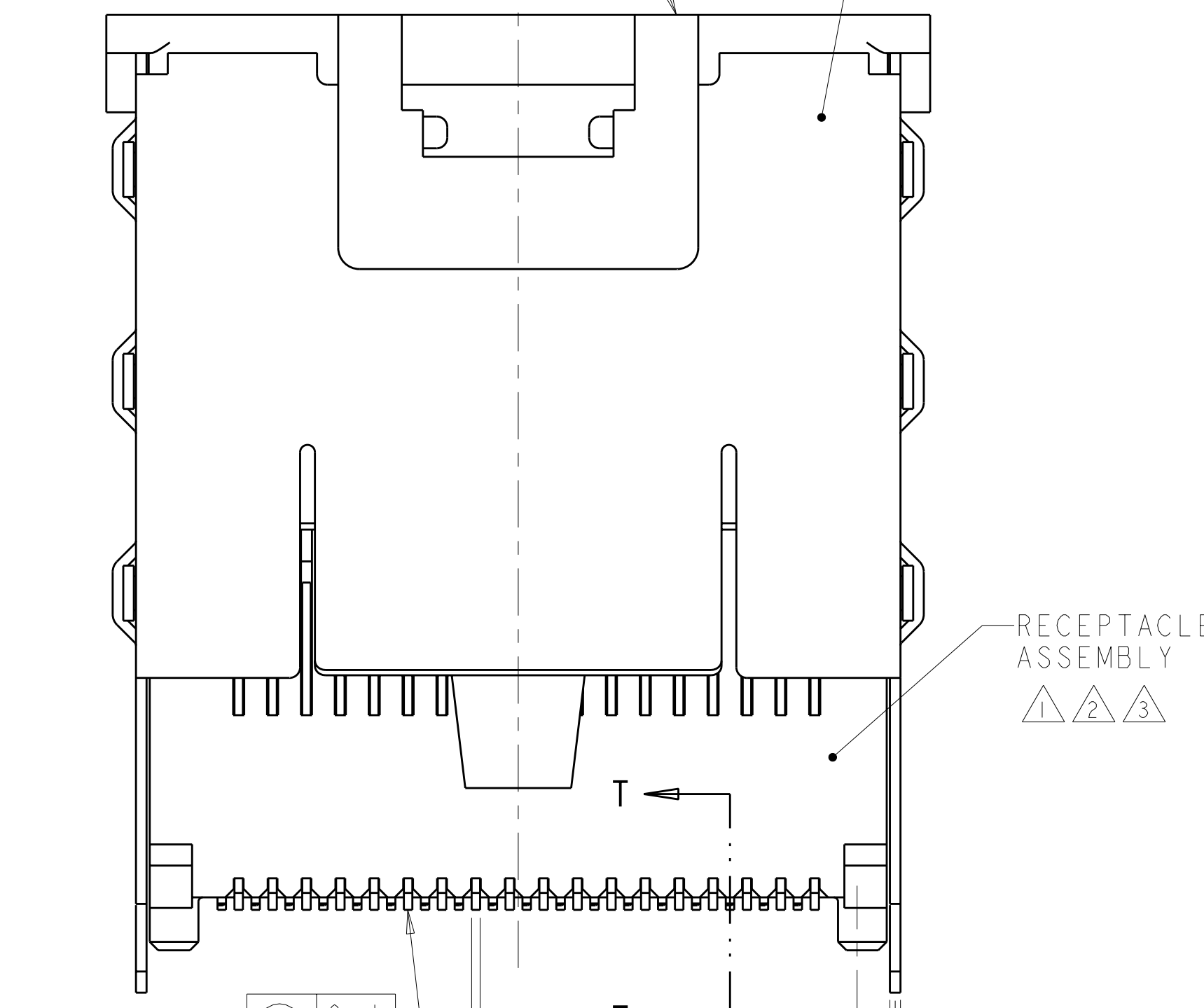


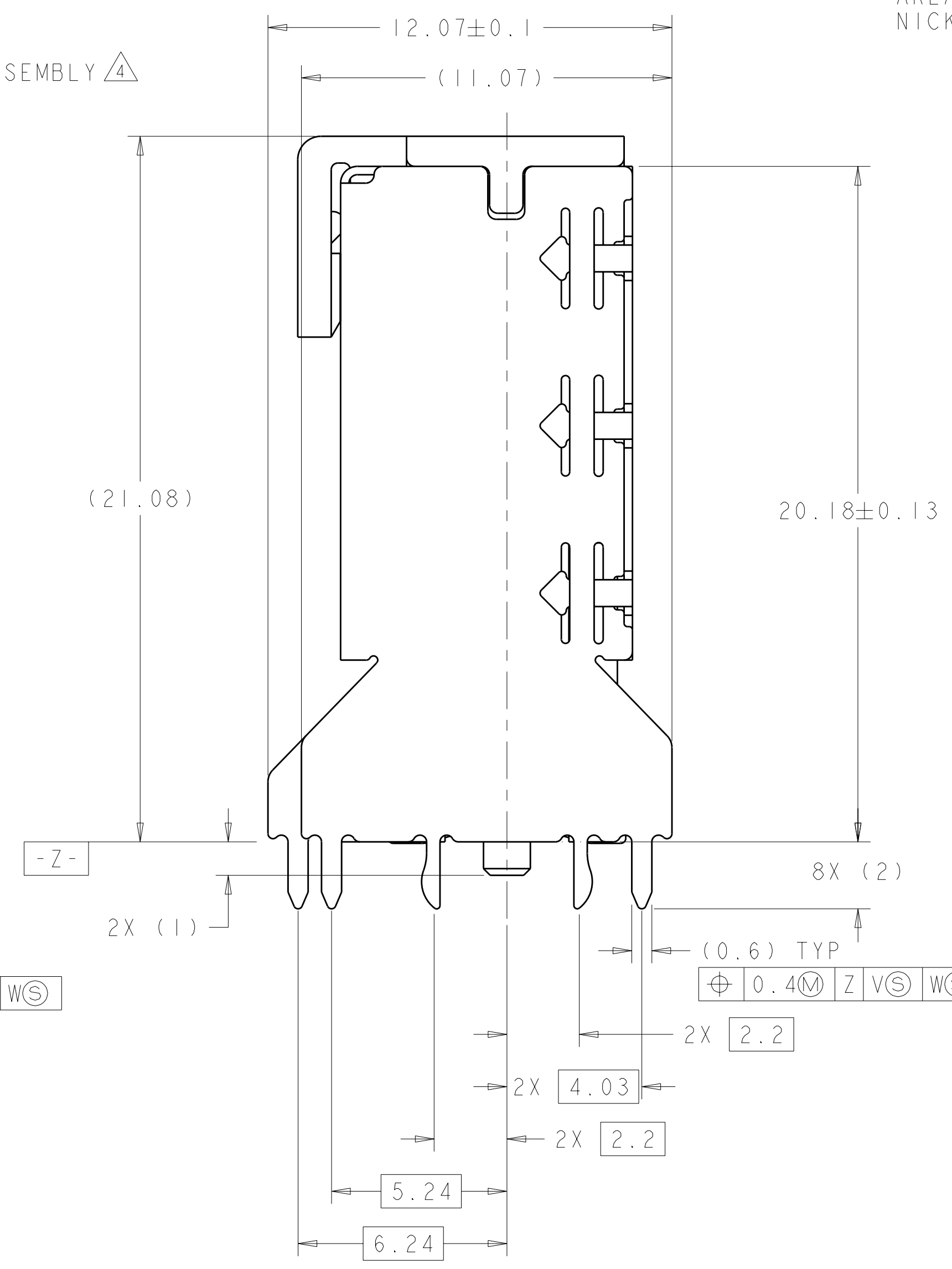
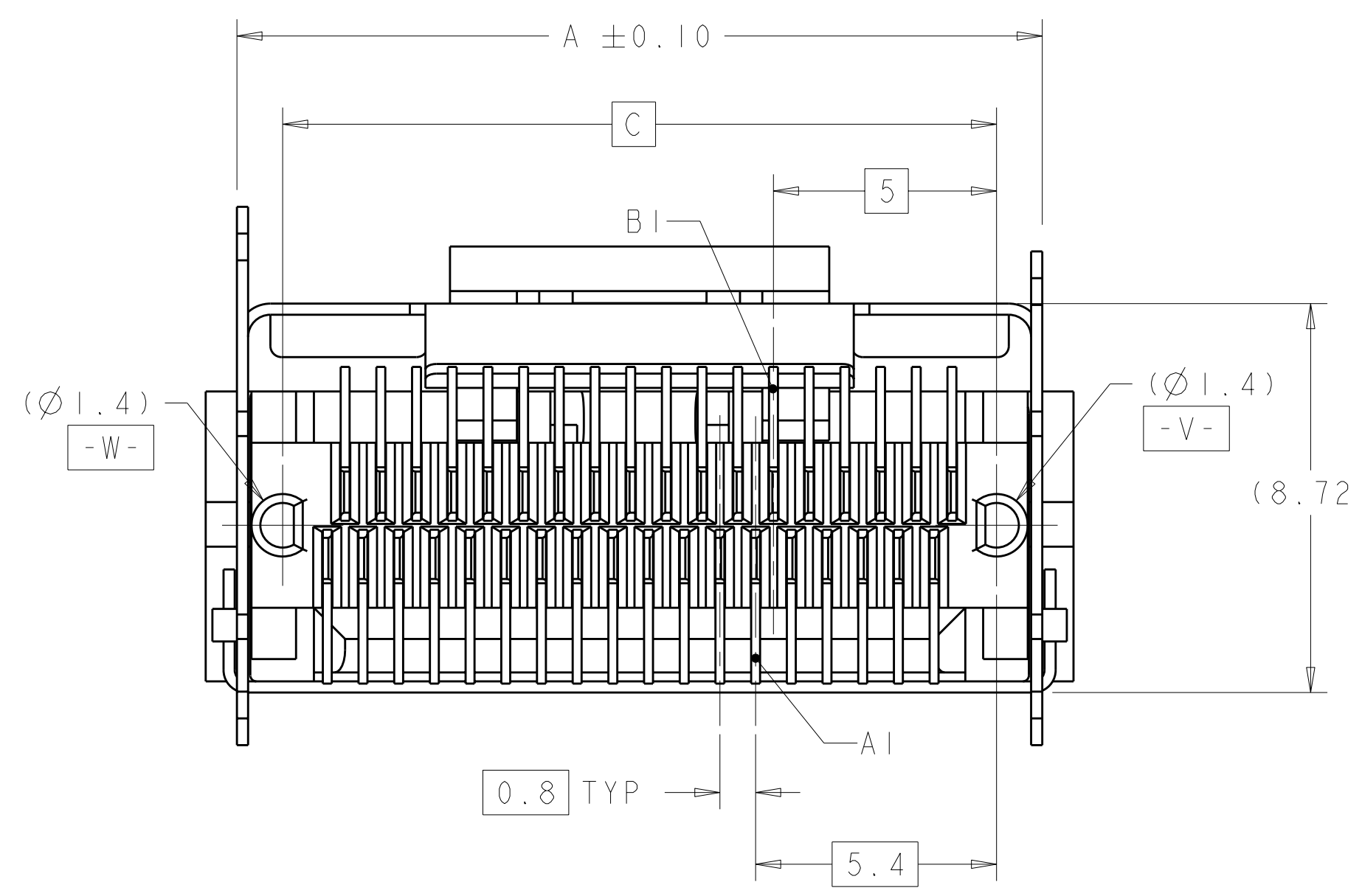
LOC		DIST		REVISIONS			
GP	00	P	LTR	DESCRIPTION	DATE	DWN	APVD
		A		RELEASED PER ECO-08-011133	14MAY2008	ZMR	DLG



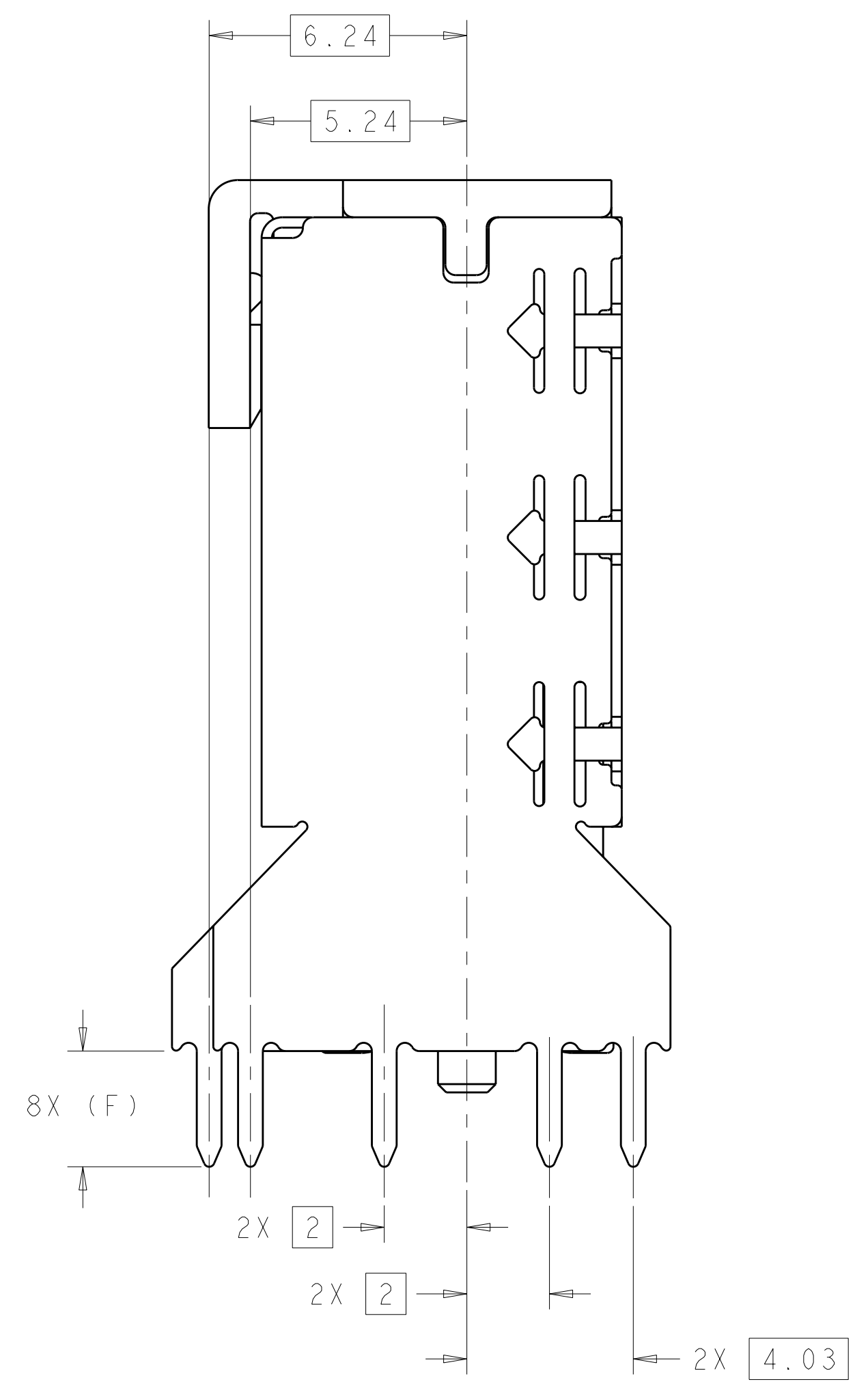
KEYING
 PICK AND PLACE DEVICE
 VERTICAL SHIELD ASSEMBLY



RECEPTACLE ASSEMBLY
 ALL CONTACT SOLDER TAIL SURFACES
 (0.1)
 (0.2)
 B PLC
 (0.25) TYP
 (0.4) M Z V S W S
 (0.9) TYP

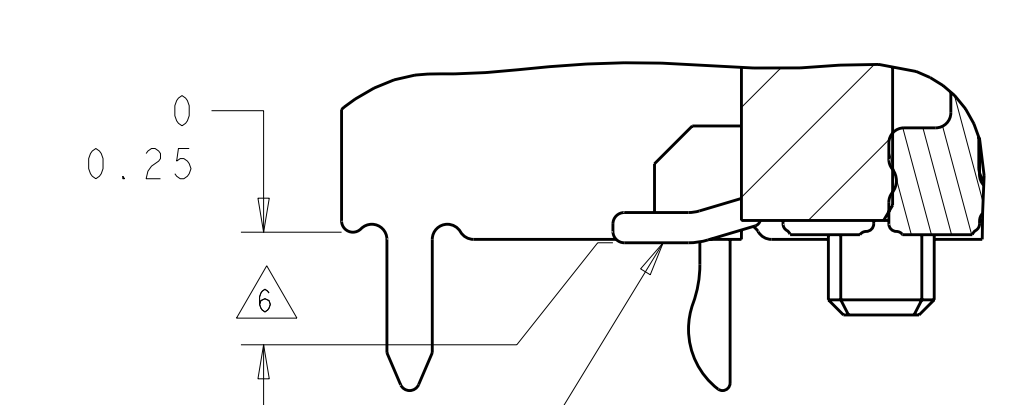


1888174-2 AS SHOWN



1888174-4 AND 1888174-6 AS SHOWN

- 1 MATERIAL: LCP, BLACK.
- 2 MATERIAL: PHOSPHOR BRONZE PER ASTM B 103.
- 3 FINISH: 0.76µm MIN GOLD PLATE PER ASTM B 488, APPLIES TO INTERFACE AREA AND 2.03µm MIN TIN PLATE SOLDER TAILS, ALL OVER 3.81µm MIN NICKEL PLATE PER QQ-N-290.
- 4 MATERIAL: NICKEL-SILVER PER ASTM B 122.
- 5 DATUM AND BASIC DIMENSION ESTABLISHED BY CUSTOMER.
- 6 CONTACT TAILS TO BE 0.25 MAX BELOW OR FLUSH WITH DATUM Z.
- 7 REFER TO CUSTOMER DRAWING 1888020 FOR CONNECTOR DETAILS.
- 8 FINISH: 0.38µm MIN GOLD PLATE PER ASTM B 488, APPLIES TO INTERFACE AREA AND 2.03µm MIN TIN PLATE SOLDER TAILS, ALL OVER 3.81µm MIN NICKEL PLATE PER QQ-N-290.



VERTICAL CONTACT
 SECTION T-T
 SCALE 10:1

FINISH	SHIELD TYPE	N	F	E	D	C	B	A	POSN	PART NUMBER
		THRU-HOLE	36	3.5	17.8	16	16	36	18.05	36
THRU-HOLE	36	2.8	17.8	16	16	36	18.05	36	1888174-8	
PRESS-FIT	36	-	17.8	16	16	36	18.05	36	1888174-7	
THRU-HOLE	36	3.5	17.8	16	16	36	18.05	36	1888174-6	
THRU-HOLE	36	2.8	17.8	16	16	36	18.05	36	1888174-4	
PRESS-FIT	36	-	17.8	16	16	36	18.05	36	1888174-2	

THIS DRAWING IS UNPUBLISHED. RELEASED FOR PUBLICATION BY TYCO ELECTRONICS CORPORATION, ALL RIGHTS RESERVED.

DATE: 200CT05
 CHK: R.R.HENRY
 APVD: R.R.HENRY
 PRODUCT SPEC: 108-2234
 APPLICATION SPEC: -
 WEIGHT: -
 CUSTOMER DRAWING

DWN: M.E. SHIRK
 CHK: R.R.HENRY
 APVD: R.R.HENRY
 PRODUCT SPEC: 108-2234
 APPLICATION SPEC: -
 WEIGHT: -
 CUSTOMER DRAWING

NAME: EVERCLEAR Mini-SAS VERTICAL INTERNAL RECEPTACLE ASSY WITH DUAL KEYED SHELL
 SIZE: A1100779
 SCALE: 8:1
 SHEET: 1 OF 2
 REV: A

X-ON Electronics

Largest Supplier of Electrical and Electronic Components

Click to view similar products for [I/O Connectors](#) category:

Click to view products by [TE Connectivity](#) manufacturer:

Other Similar products are found below :

[571763P](#) [58098-0628](#) [72.250.1628.2](#) [72.250.2428.2](#) [74720-0505](#) [76.350.0729.0](#) [76871-1403](#) [FCN-244F080-G/1](#) [FCN-260A9920](#) [PCR-E36PM](#) [PCS-XE26MA+](#) [G38A71314B](#) [1571250010](#) [157-22500-3](#) [MS3471L14-19P L/C](#) [172501-4002](#) [172501-6002](#) [FCN-260C008-A/L0](#) [FCN-260C024-AL0](#) [FCN-261Z008](#) [2000314-1](#) [200331-1](#) [PCR-E36FC+](#) [PCS-E28FS+](#) [PCS-XE26SLFD+](#) [PCS-XE26SLFDT+](#) [G730VID08BDC24](#) [U90B2054081210](#) [38113800006](#) [DP3AR020WQ1R200](#) [Z4.102.0680.0](#) [500-1040](#) [500-1052](#) [500-1054](#) [ZP-4008-66L](#) [0709821002](#) [DX40-20P\(55\)](#) [5554841-1](#) [MS3474W18-8P-LC*](#) [U90B3054061110](#) [U65-E04-4020](#) [ZPF000000000097891](#) [747360449](#) [10099439-003C-TRLF](#) [10137239-0021LF](#) [E9320-001-01](#) [10137239-0011LF](#) [70289-001LF](#) [70.060.1028.0](#) [109029-ZZ](#)