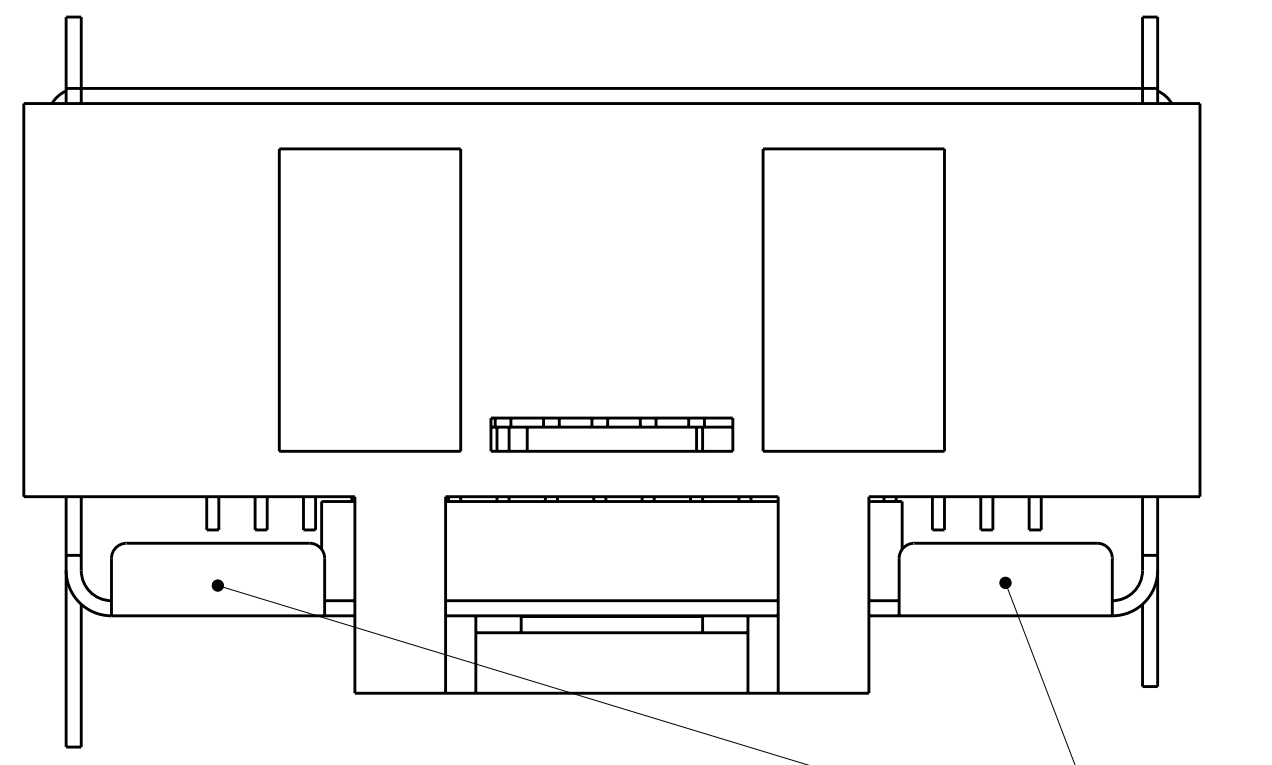
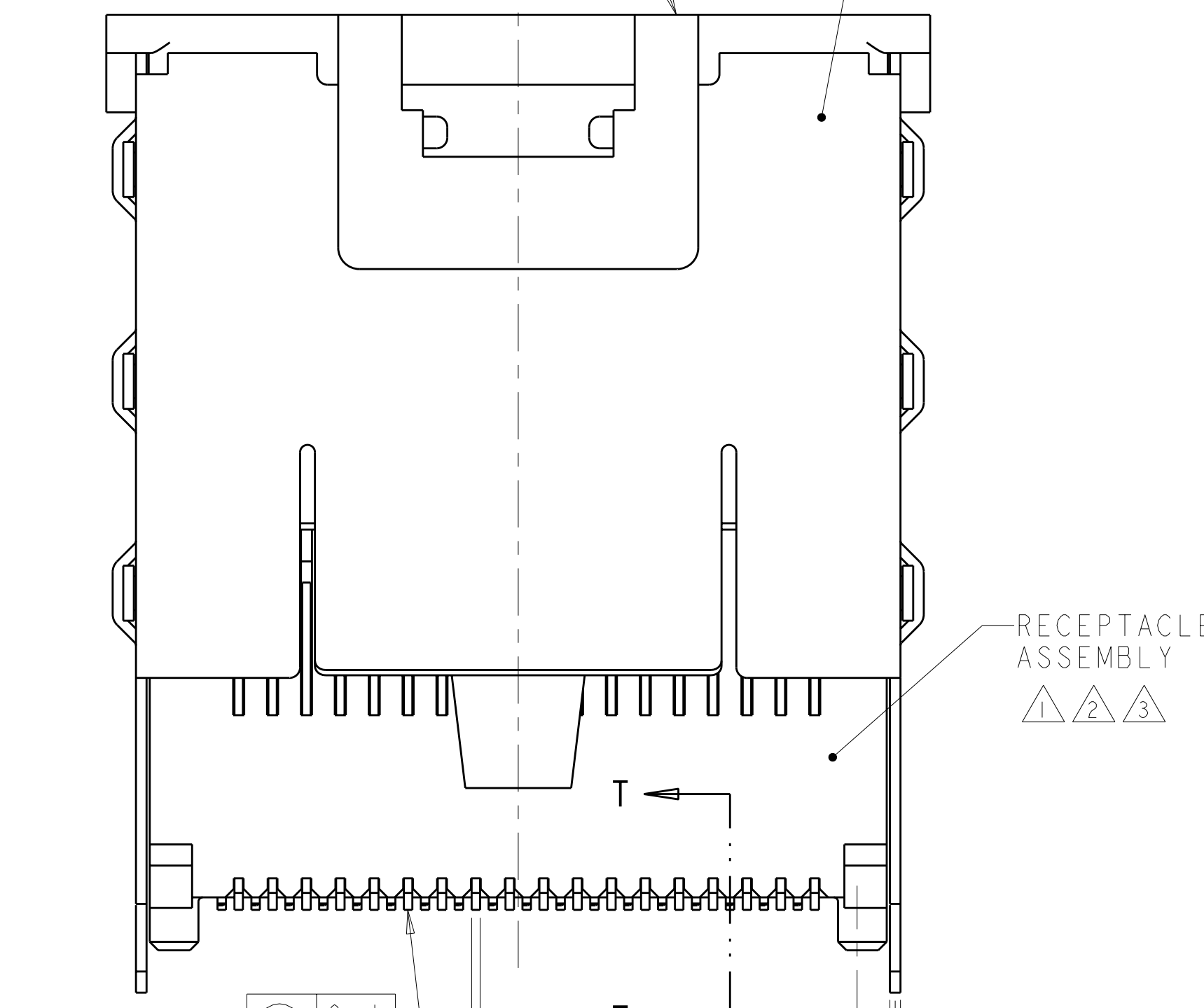


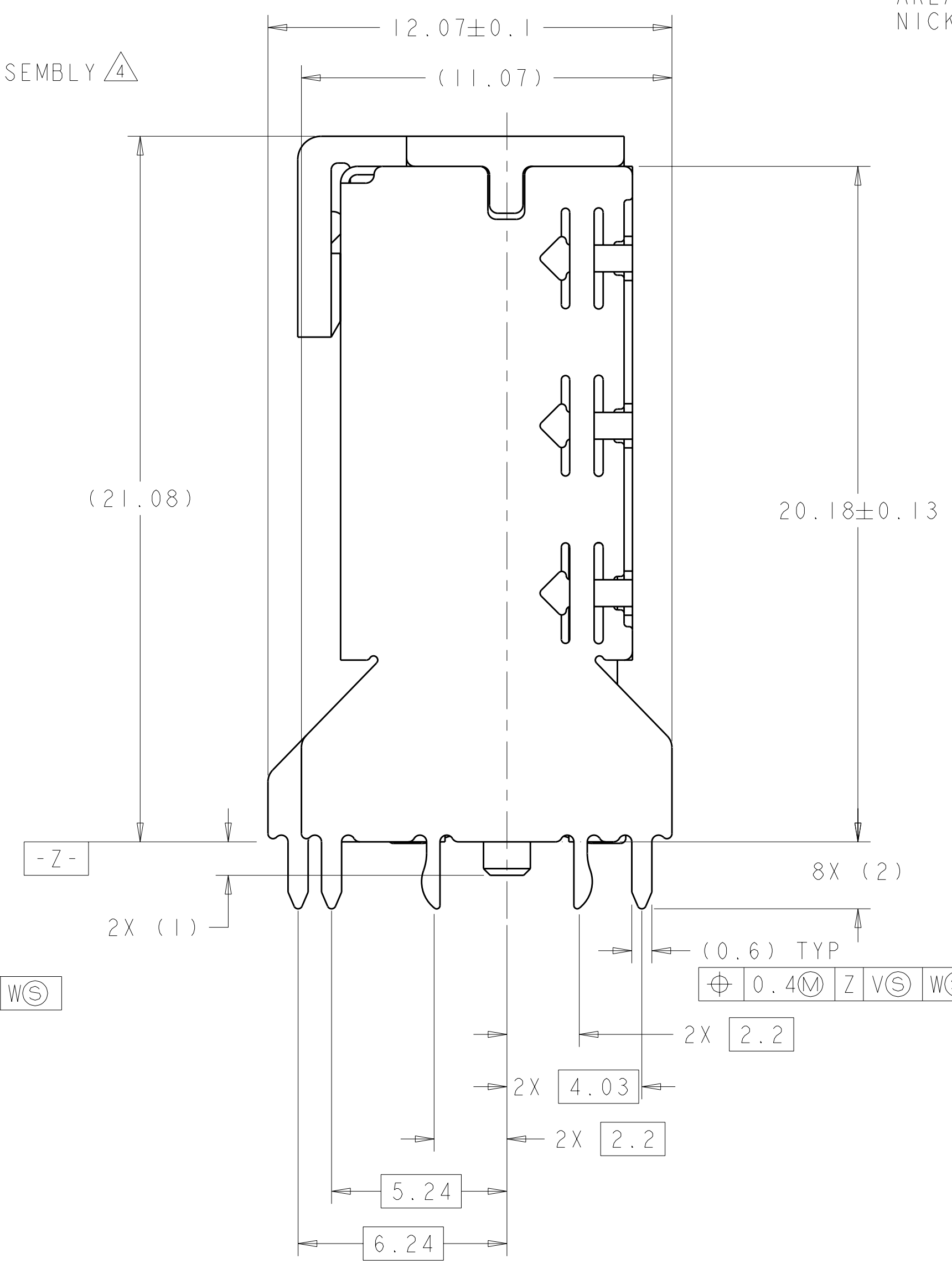
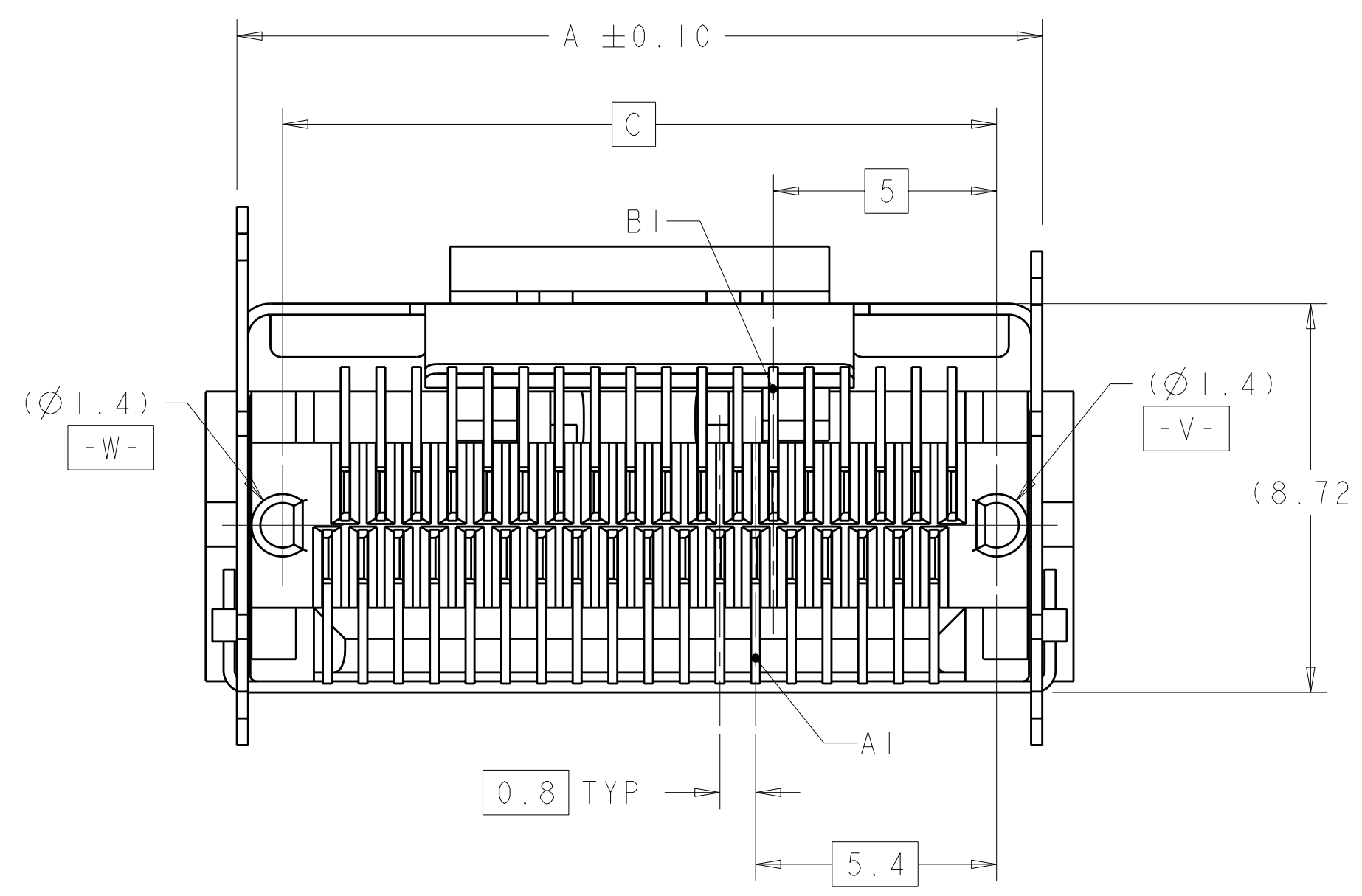
LOC	DIST	REVISIONS			
GP	00	REV	DATE	BY	APPD
		A	RELEASED PER ECO-08-011133	14MAY2008	ZMR DLG



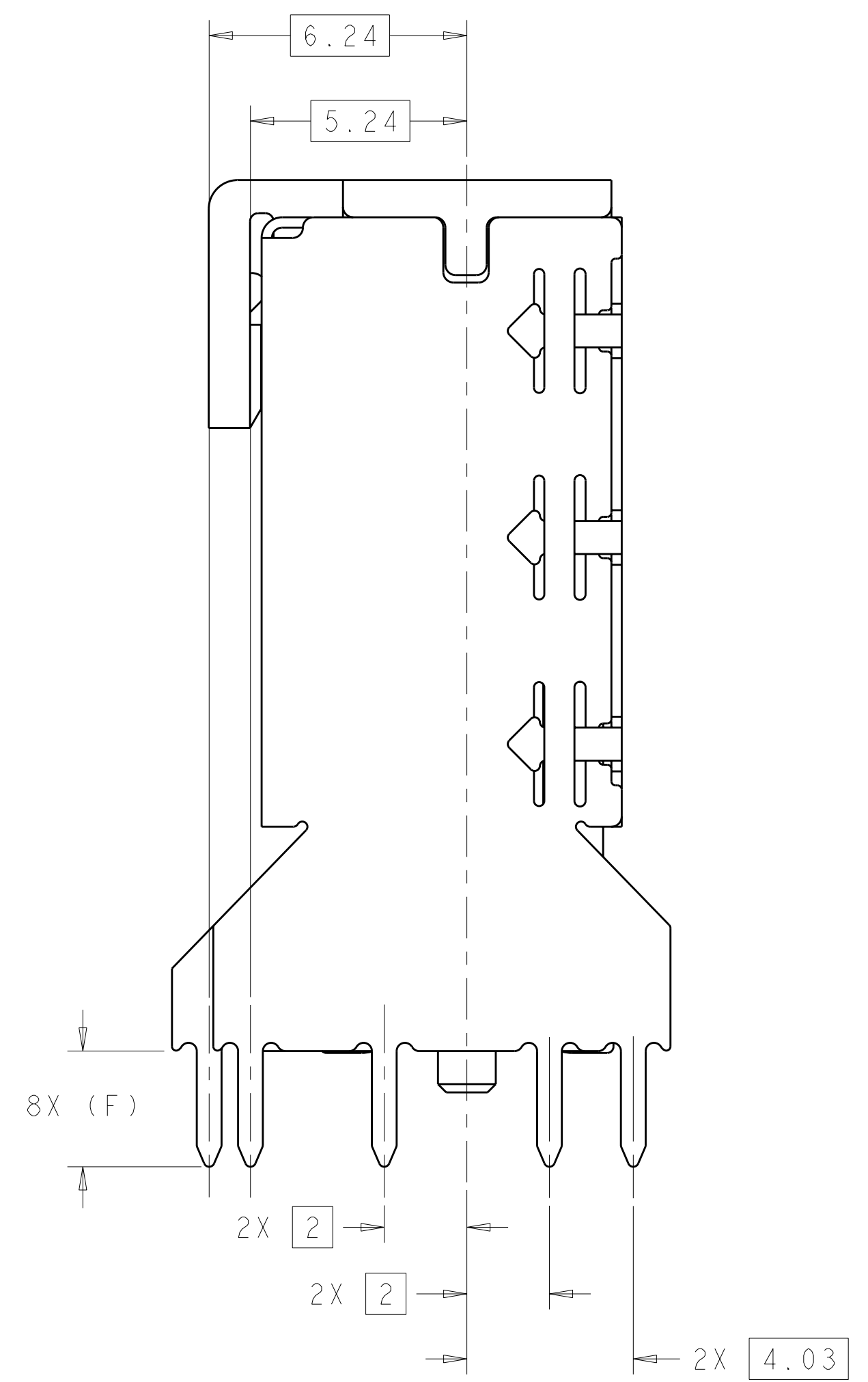
KEYING  
 PICK AND PLACE DEVICE  
 VERTICAL SHIELD ASSEMBLY



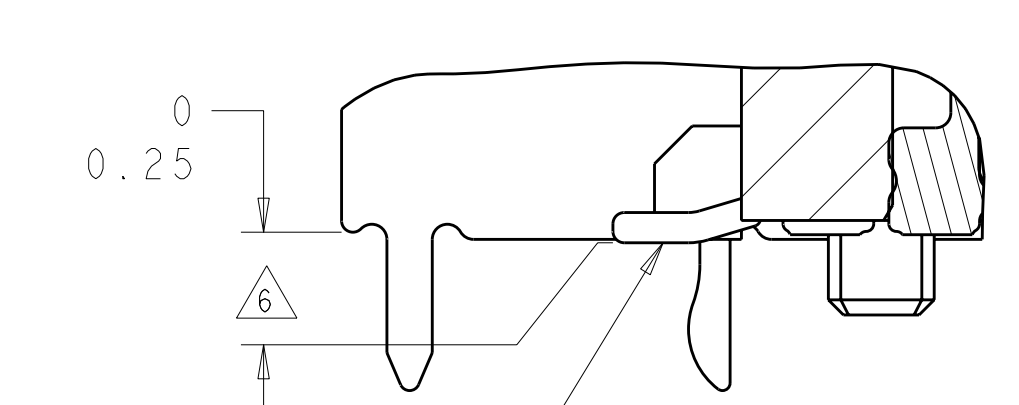
RECEPTACLE ASSEMBLY  
 ALL CONTACT SOLDER TAIL SURFACES  
 (0.1)  
 (0.2)  
 (0.25) TYP  
 (0.4) TYP  
 (0.9) TYP  
 B PLC



1888174-2 AS SHOWN



1888174-4 AND 1888174-6 AS SHOWN



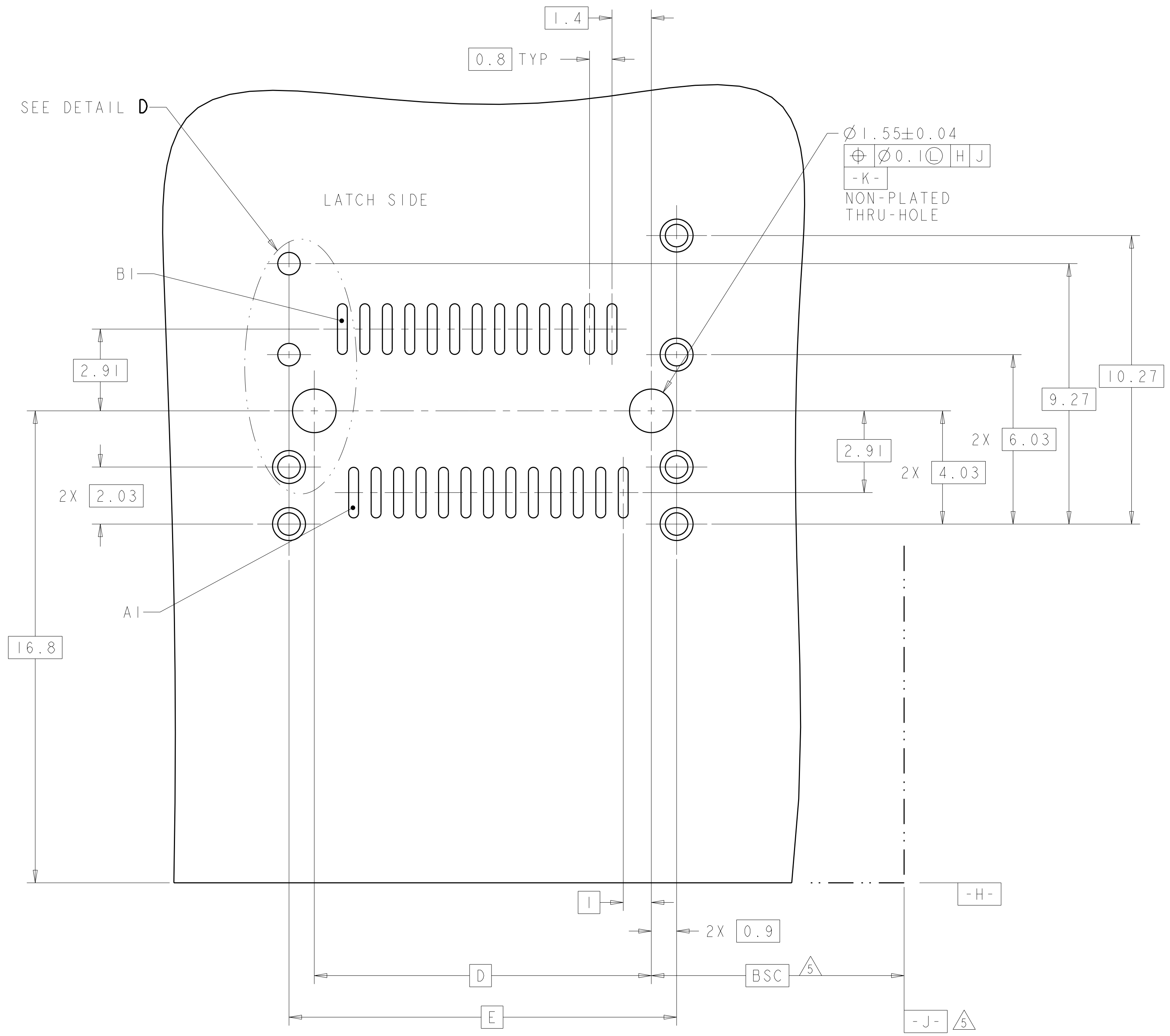
VERTICAL CONTACT  
 SECTION T-T  
 SCALE 10:1

- 1 MATERIAL: LCP, BLACK.
- 2 MATERIAL: PHOSPHOR BRONZE PER ASTM B 103.
- 3 FINISH: 0.76µm MIN GOLD PLATE PER ASTM B 488, APPLIES TO INTERFACE AREA AND 2.03µm MIN TIN PLATE SOLDER TAILS, ALL OVER 3.81µm MIN NICKEL PLATE PER QQ-N-290.
- 4 MATERIAL: NICKEL-SILVER PER ASTM B 122.
- 5 DATUM AND BASIC DIMENSION ESTABLISHED BY CUSTOMER.
- 6 CONTACT TAILS TO BE 0.25 MAX BELOW OR FLUSH WITH DATUM Z.
- 7 REFER TO CUSTOMER DRAWING 1888020 FOR CONNECTOR DETAILS.
- 8 FINISH: 0.38µm MIN GOLD PLATE PER ASTM B 488, APPLIES TO INTERFACE AREA AND 2.03µm MIN TIN PLATE SOLDER TAILS, ALL OVER 3.81µm MIN NICKEL PLATE PER QQ-N-290.

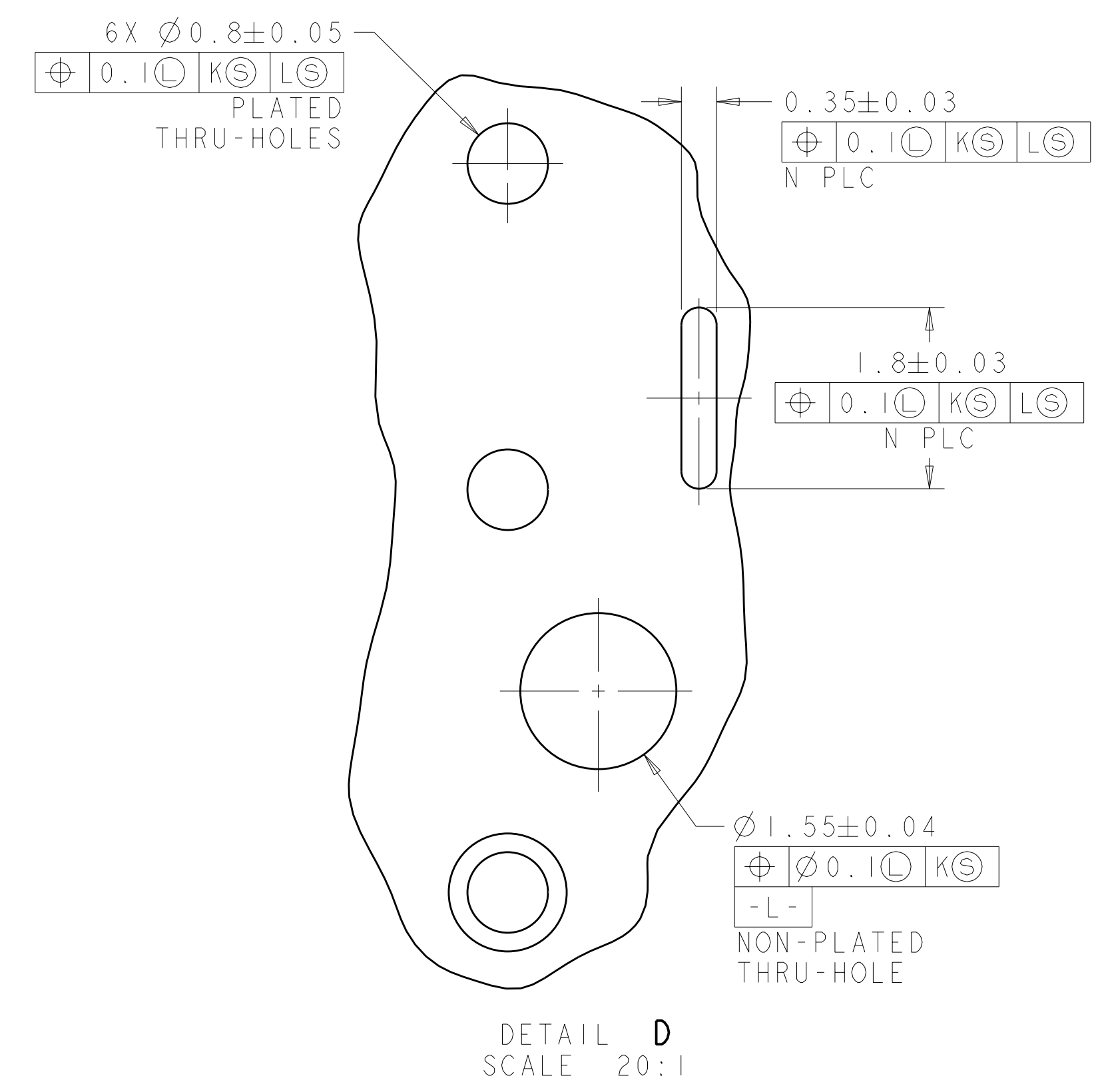
FINISH	SHIELD TYPE	N	F	E	D	C	B	A	POSN	PART NUMBER
8	THRU-HOLE	36	3.5	17.8	16	16	36	18.05	36	1888174-9
	THRU-HOLE	36	2.8	17.8	16	16	36	18.05	36	1888174-8
3	PRESS-FIT	36	-	17.8	16	16	36	18.05	36	1888174-7
	THRU-HOLE	36	3.5	17.8	16	16	36	18.05	36	1888174-6
3	THRU-HOLE	36	2.8	17.8	16	16	36	18.05	36	1888174-4
	PRESS-FIT	36	-	17.8	16	16	36	18.05	36	1888174-2

DIMENSIONS: mm 		TOLERANCES UNLESS OTHERWISE SPECIFIED: 9 PLC ± 8 PLC ± 5 PLC ± 4 PLC ± ANGLES ±		DWN M.E. SHIRK 200CT05 CHK R.R. HENRY 200CT05 APVD R.R. HENRY 200CT05		Tyco Electronics Harrisburg, PA 17105-3608	
MATERIAL: 1, 2, 4 FINISH: SEE TABLE		WEIGHT: - CUSTOMER DRAWING		NAME: EVERCLEAR Mini-SAS VERTICAL INTERNAL RECEPTACLE ASSY WITH DUAL KEYED SHELL PRODUCT SPEC: 108-2234 APPLICATION SPEC: - SIZE: A1100779 CAGE CODE: C=1888174		RESTRICTED TO: - SCALE: 8:1 SHEET 1 OF 2 REV A	

LOC	DIST	REVISIONS			
P	LTR	DESCRIPTION	DATE	OWN	APVD
GP	00	SEE SHEET 1	-	-	-



RECOMMENDED PCB LAYOUT  
 SCALE 10:1



DETAIL D  
 SCALE 20:1

<small>THIS DRAWING IS UNPUBLISHED. IT IS SUBJECT TO CHANGE WITHOUT NOTICE AND WITHOUT OBLIGATION. TYPICAL DIMENSIONS ARE SHOWN UNLESS OTHERWISE SPECIFIED.</small>		DWN: M.E. SHIRK 200CT05 CHK: R.R. HENRY 200CT05 APVD: R.R. HENRY 200CT05	Tyco Electronics Harrisburg, PA 17105-3608
DIMENSIONS: mm 	TOLERANCES UNLESS OTHERWISE SPECIFIED: 9 PLC ± 8 PLC ± 5 PLC ± 4 PLC ± ANGLES ± FINISH ±	NAME: EVERCLEAR Mini-SAS 108-2234 APPLICATION SPEC WEIGHT: - CUSTOMER DRAWING	SIZE: A CAGE CODE: 100779 DRAWING NO: C=1888174 SCALE: 8:1 SHEET: 2 OF 2 REV: A

## X-ON Electronics

Largest Supplier of Electrical and Electronic Components

*Click to view similar products for [I/O Connectors](#) category:*

*Click to view products by [TE Connectivity](#) manufacturer:*

Other Similar products are found below :

[571763P](#) [72.250.1628.2](#) [72.250.2428.2](#) [74720-0505](#) [76.350.0729.0](#) [76871-1403](#) [FCN-244F080-G/1](#) [FCN-260A9920](#) [MP-5T180MUNNA-005](#)  
[PCR-E36PM](#) [PCS-XE26MA+](#) [G38A71314B](#) [1571250010](#) [157-22500-3](#) [MS3471L14-19P L/C](#) [91-569786-35H](#) [172501-4002](#) [172501-6002](#)  
[FCN-260C008-A/L0](#) [FCN-260C024-AL0](#) [FCN-261Z008](#) [2000314-1](#) [200331-1](#) [PCR-E36FC+](#) [PCS-E28FS+](#) [PCS-XE26SLFD+](#) [PCS-](#)  
[XE26SLFDT+](#) [G730VID08BDC24](#) [U90B2054081210](#) [UE86K842720321](#) [38113800006](#) [DP3AR020WQ1R200](#) [Z4.102.0680.0](#) [500-1040](#)  
[500-1052](#) [500-1054](#) [ZP-4008-66L](#) [0709821002](#) [10-565995-597N](#) [DX40-20P\(55\)](#) [5554841-1](#) [MS3474W18-8P-LC\\*](#) [U90B3054061110](#) [U65-](#)  
[E04-4020](#) [ZPF000000000097891](#) [557-262M2-06C](#) [747360449](#) [10099439-003C-TRLF](#) [10137239-0021LF](#) [E9320-001-01](#)