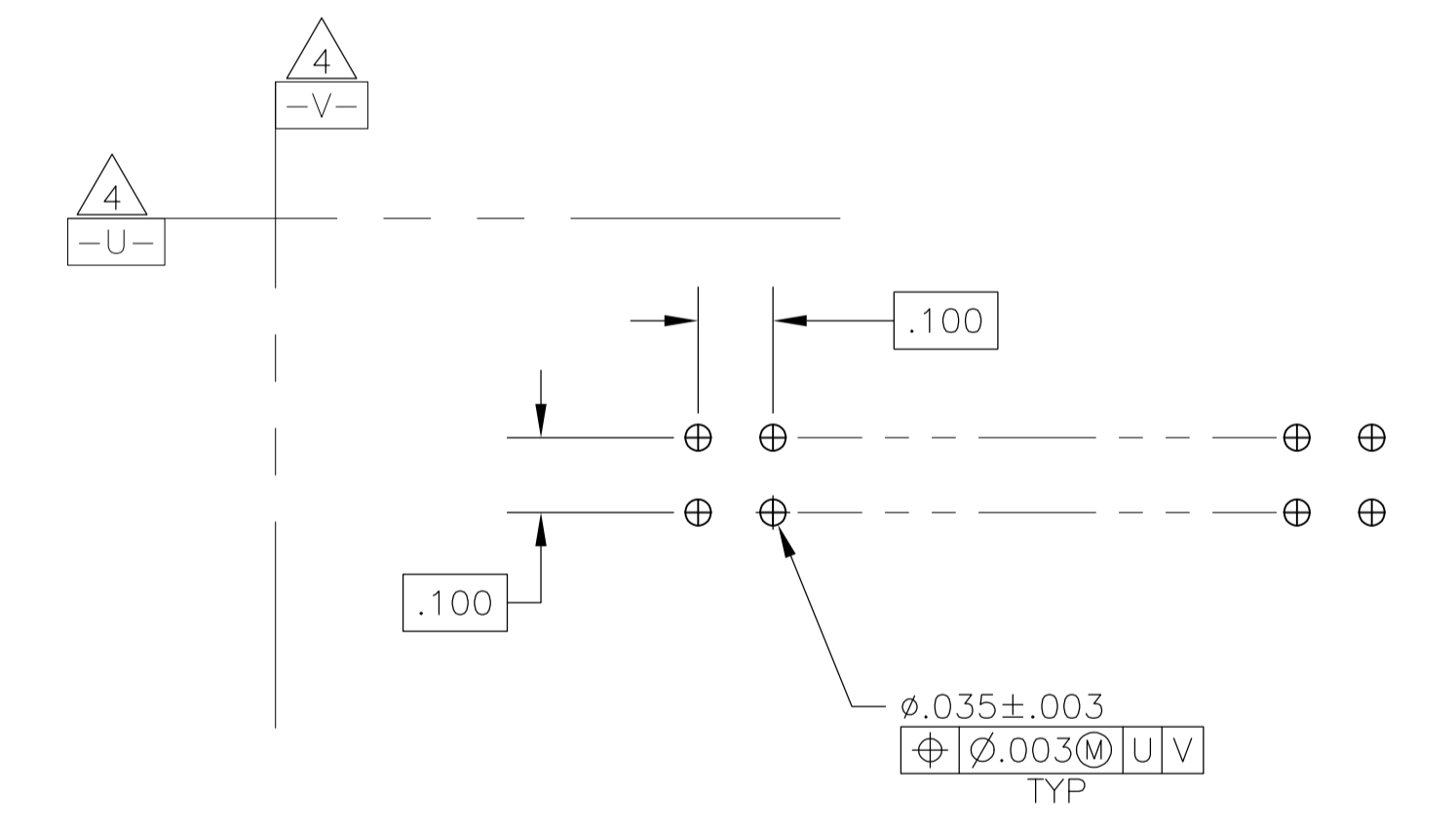
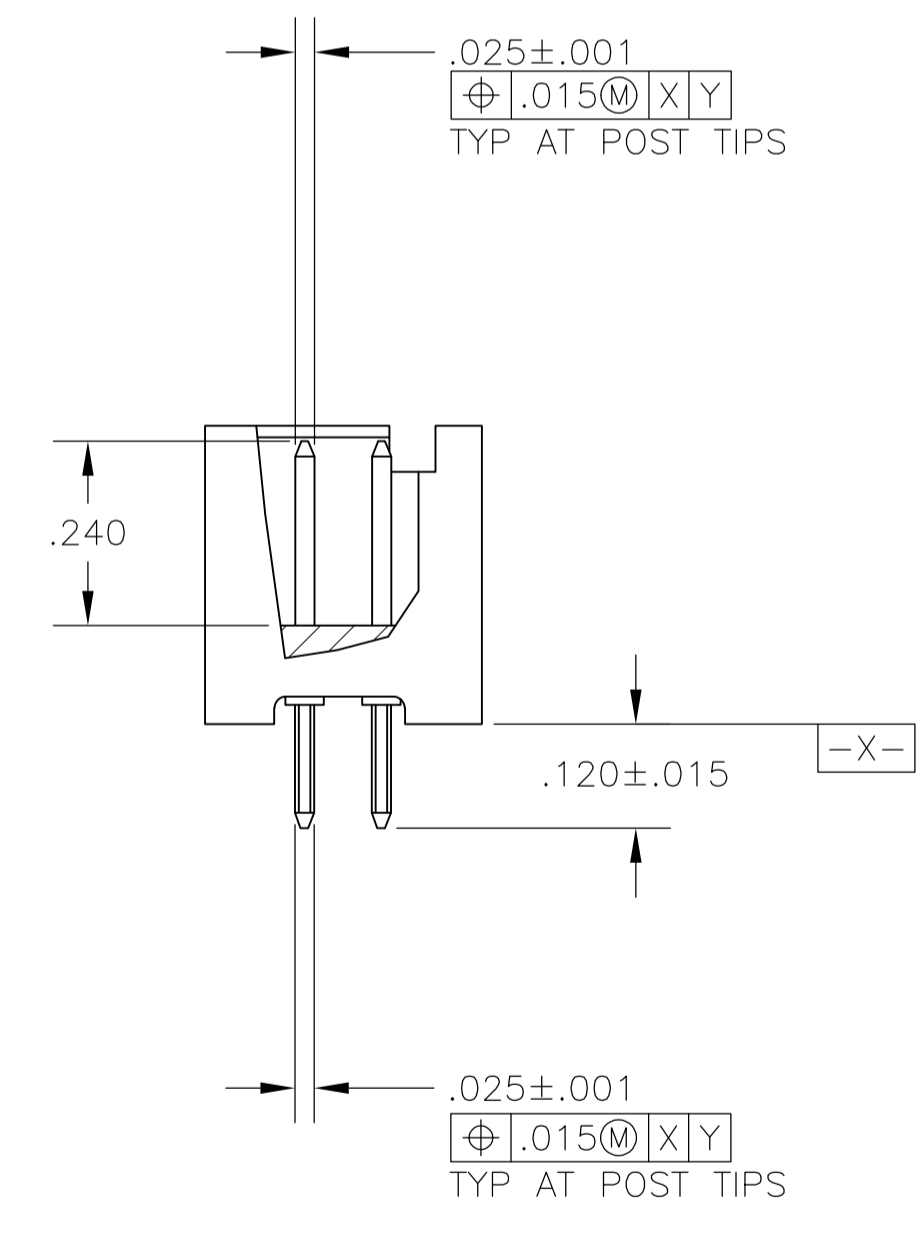
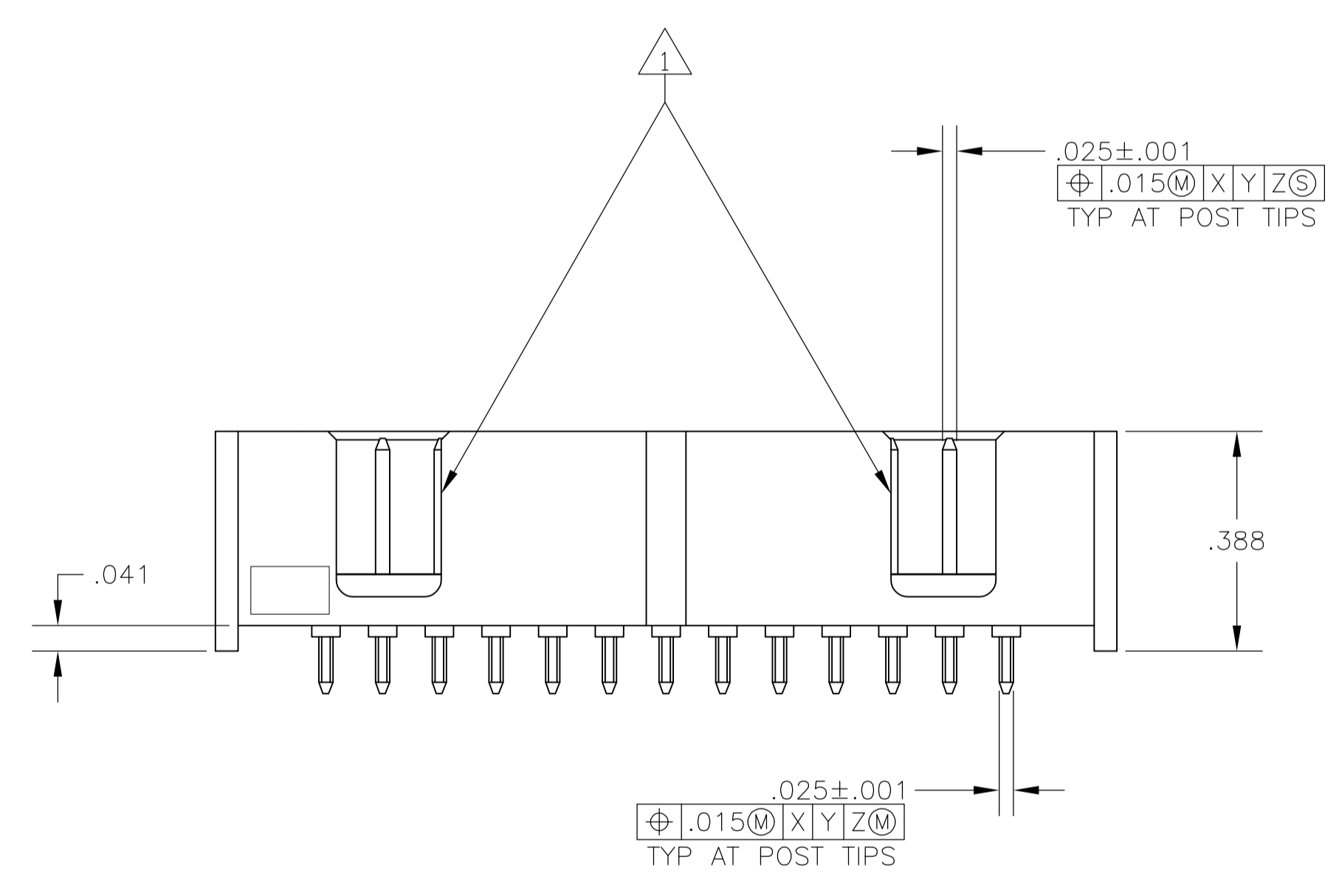


- ① DOUBLE BAR POLARIZATION SLOTS.
- ② CENTER POLARIZATION SLOT.
- ③ POST OMITTED IN POSITION NO. 26.
- ④ DATUMS U AND V TO BE ESTABLISHED BY THE CUSTOMER.
- ⑤ HOUSING: GLASS FILLED NYLON OR PBT, BLACK, UL 94V-0 RATED. POSTS: BRASS.
- ⑥ POSTS: GOLD FLASH OVER PALLADIUM-NICKEL PLATE, .000015 MIN TOTAL ON THE MATING SURFACES, .000100 MIN TIN PLATE ON THE SOLDER-TAILS, .000050 MIN NICKEL UNDERPLATE ON THE ENTIRE POST.  
 -OR-  
 .000015 MIN GOLD PLATE ON THE MATING SURFACES, .000100 MIN TIN PLATE ON THE SOLDER-TAILS, .000050 MIN NICKEL UNDERPLATE ON THE ENTIRE POST.



RECOMMENDED PCB LAYOUT

1888196-1  
 PART NUMBER

THIS DRAWING IS A CONTROLLED DOCUMENT.		DIN C. LAUBACH 16 DEC 05	Tyco Electronics Corporation Harrisburg, PA 17105-3608	
DIMENSIONS: INCHES		CHK S. BOLASH 16 DEC 05	NAME M. WALMSLEY 16 DEC 05	
TOLERANCES UNLESS OTHERWISE SPECIFIED:		PRODUCT SPEC 108-40018		
0. PLC ± -		APPLICATION SPEC		
1. PLC ± -		SIZE A1		
2. PLC ± -		CAGE CODE 00779		
3. PLC ± .005		DRAWING NO 1888196		
4. PLC ± -		RESTRICTED TO		
ANGLES ± -		CUSTOMER DRAWING		
MATERIAL ⑤		SCALE 4:1		
FINISH ⑥		SHEET 1 OF 1		
		REV E		

## X-ON Electronics

Largest Supplier of Electrical and Electronic Components

*Click to view similar products for [Headers & Wire Housings](#) category:*

*Click to view products by [TE Connectivity](#) manufacturer:*

Other Similar products are found below :

[892-18-020-10-001101](#) [58102-G61-06LF](#) [582553-1](#) [0009485154](#) [009176003701906](#) [0050291907](#) [LY20-4P-DT1-P1E-BR](#) [02.125.8002.8](#)  
[609-3404](#) [61062-3](#) [61082-181009](#) [622-3653LF](#) [63453-116](#) [636-1030](#) [636-1427](#) [636-3427](#) [636-4007](#) [641938-9](#) [641991-4](#) [644827-2](#) [65817-](#)  
[010LF](#) [65817-015LF](#) [65863-015LF](#) [66207-023LF](#) [67095-007LF](#) [67601157](#) [68645-018](#) [68648-049](#) [70.362.1628.0](#) [70-4210](#) [70-4226B](#) [70-](#)  
[4853B](#) [707-5020](#) [707-5028](#) [71.350.2428.0](#) [71918-208LF](#) [71961-016LF](#) [733-134](#) [733-162](#) [754199-000](#) [760-3052](#) [787-8014-00](#) [79531-3000](#)  
[FCN-360C032-B](#) [FCN-367T-T012/H](#) [FCN-723D010/2](#) [80.063.4001.1](#) [800-90-001-10-001000](#) [800-90-010-10-002000](#) [801-43-002-10-013000](#)